



Open Shelving Rolling Cart

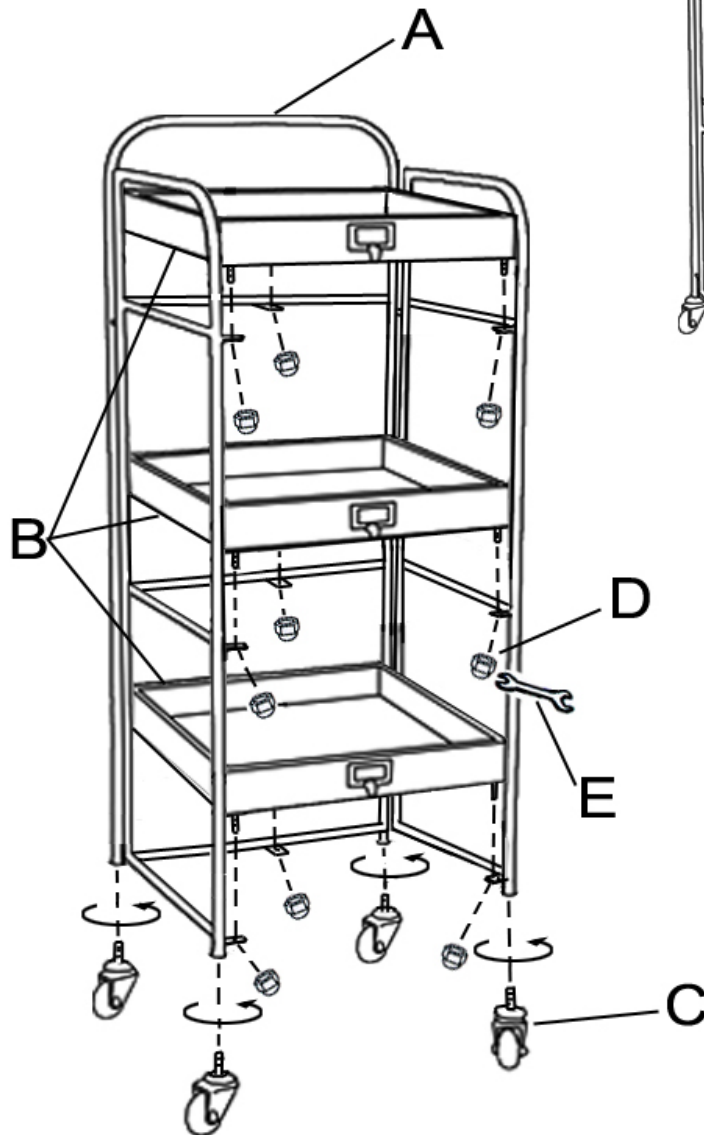
Parts included:

- A) Frame
- B) Tray x 3
- C) Wheels x 4
- D) Screw cap x 9
- E) Wrench

This item includes 5 main sections listed above. The trays are secured to the frame using nine screw caps.

Assembly instructions:

- 1) Unfold the frame (A) on the floor.
- 2) Position each tray into the frame (as shown) so that the three threaded studs of the tray engage the holes of each of the three tabs for that level.
- 3) Use screw caps (D) and wrench (E) to secure a cap screw onto each of the threaded studs so that each tray (B) becomes secured to the frame (A).
- 4) Rotate the threaded studs of wheels (C) into the bottom ends of the frame.
- 5) Now go use your new cart!



Thank you for your purchase
www.pbteen.com