

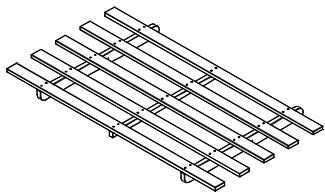
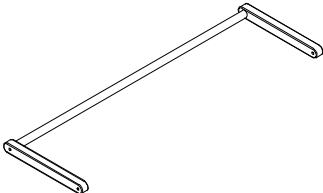
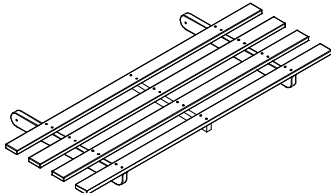
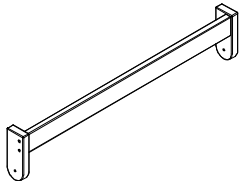
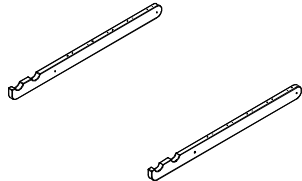
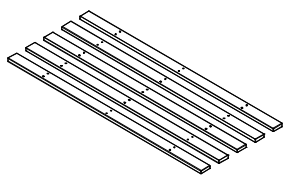
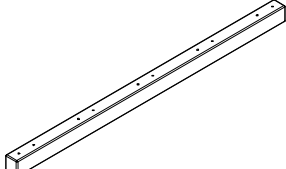


Futon Lounger frame (Full Size)

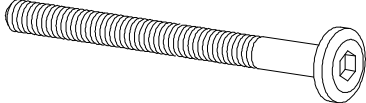
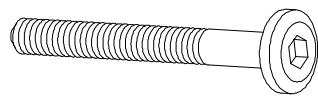
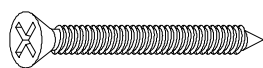
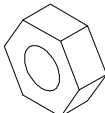
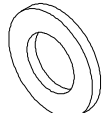
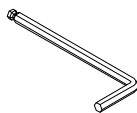
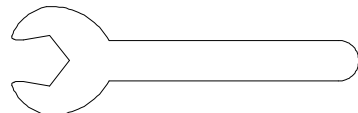
Pre-Assembly:

- Please read all instructions before beginning assembly.
- Save all packing materials until assembly is complete to avoid accidentally discarding smaller parts or hardware.
- For your safety and convenience, assembly by two people is recommended.

Parts Included:

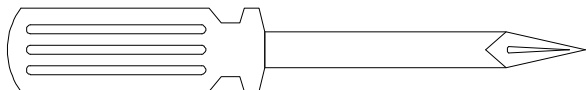
<p>(A) Back Deck Frame – 1 Pc</p> 	<p>(B) Back deck Leg – 1 Pc</p> 	<p>(C) Lounger Deck frame – 1 Pc</p> 
<p>(D) Seat Deck Leg – 1 pc</p> 	<p>(E) Seat Deck - 2pcs</p> 	<p>(F) Seat Deck Slat – 5pcs</p> 
<p>(G) seat Deck support – 1 pc</p> 		

Hardware Enclosed:

<p>(H) Bolts – 2pcs (M6 x 90mm)</p> 	<p>(I) Bolts – 4pcs (M6 x 60mm)</p> 	<p>(J) Screw – 30pcs (4 x 1 1/4")</p> 	
<p>(K) Nut – 6pcs</p> 	<p>(L) Washer – 6pcs</p> 	<p>(M) Allen Key – 1pc</p> 	<p>(N) Wrench – 1pc</p> 

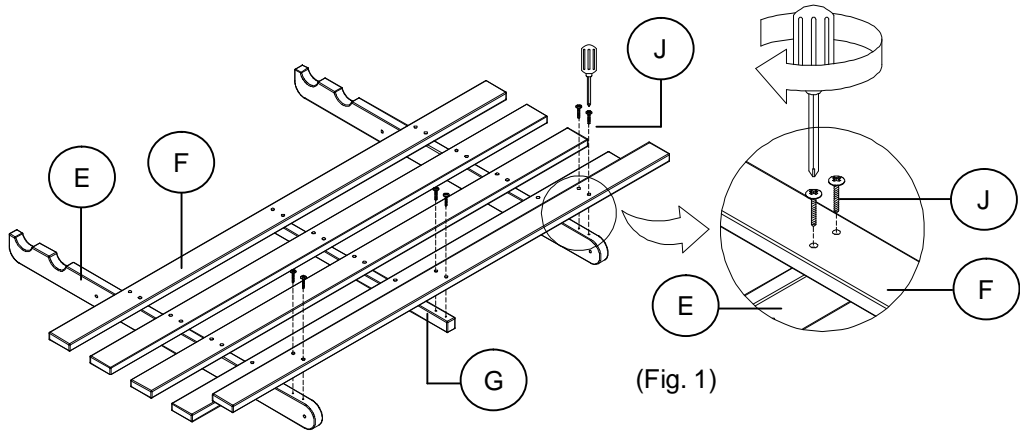
Tool Required :

Screw driver

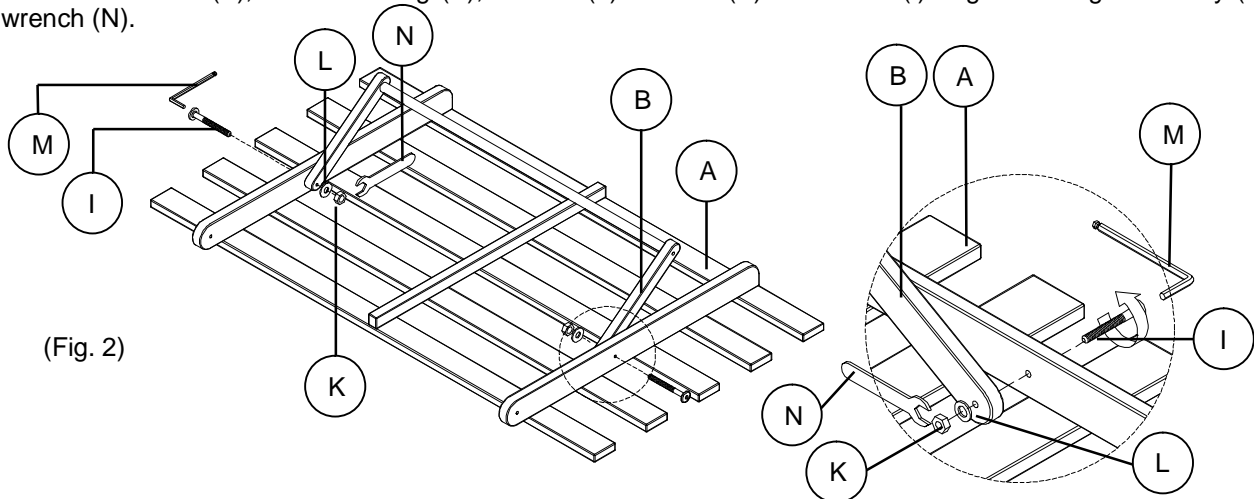


Assembly Instructions:

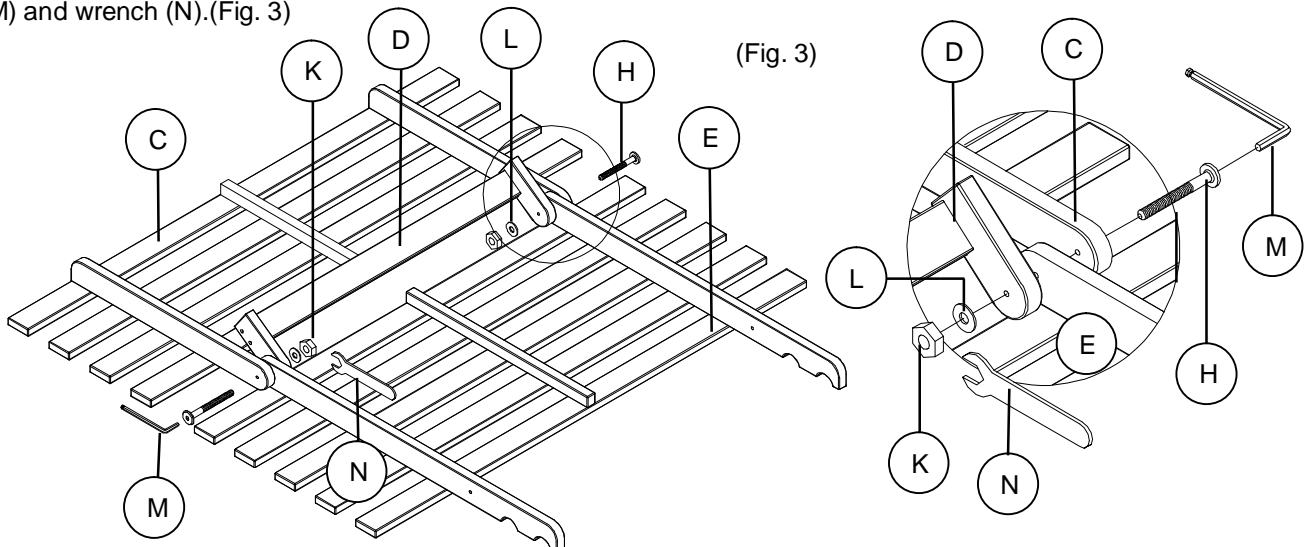
1. Align the predrilled holes on Seat deck slat (F) to the Seat Deck (E) pilot holes. Using Screw driver, install the Screw (J) into the Seat deck slat predrilled holes. Do the same procedures on Seat Deck Support (G). (Fig. 1)



2. Align the predrilled holes on the middle of Back Deck frame (A) to the predrilled holes of Back Deck Leg (B). Insert Back deck frame (A), Back deck leg (B), washer (L) and nut (K) to the bolt (I). Tighten using Allen Key (M) and wrench (N).

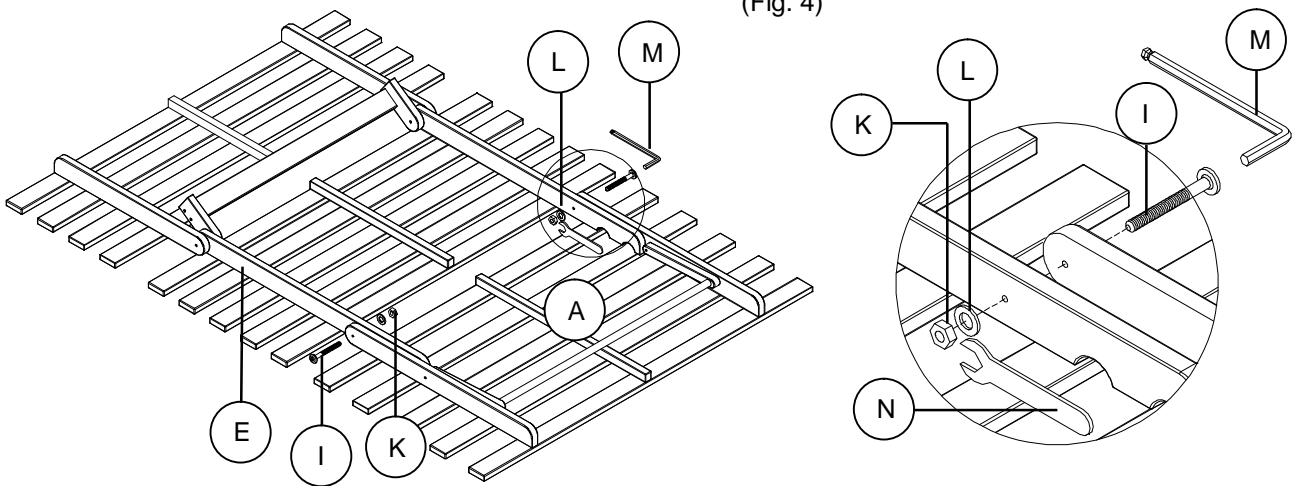


3. Align the predrilled holes of lounge deck Frame (C), end of Seat Deck (E) and Seat deck leg (D). Insert lounge Deck frame (C), Seat Deck (E), Seat Deck Leg (D), washer (L) and nut (K) to the bolt (H). Tighten using Allen Key (M) and wrench (N). (Fig. 3)

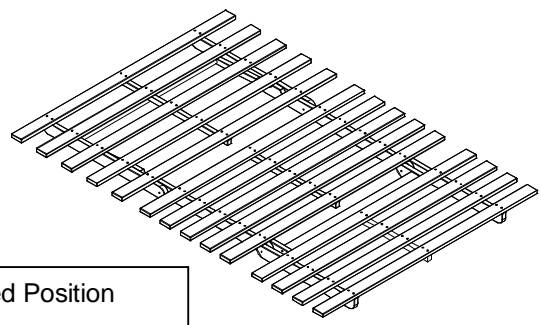
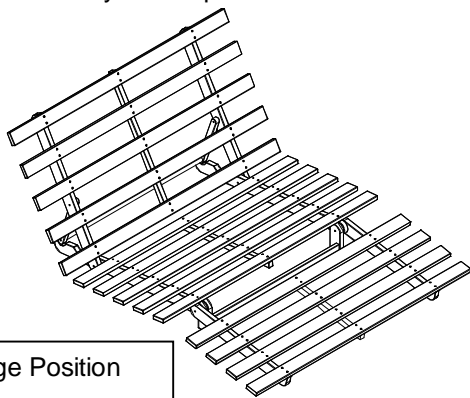


4. Align the predrilled holes on the middle of Seat deck (E) to the predrilled holes of Back Deck Frame (A). Insert Back Deck Frame (A), Seat Deck (E), washer (L) and nut (K) to the bolt (I). Tighten using Allen Key (M) and wrench (N). (Fig. 4)

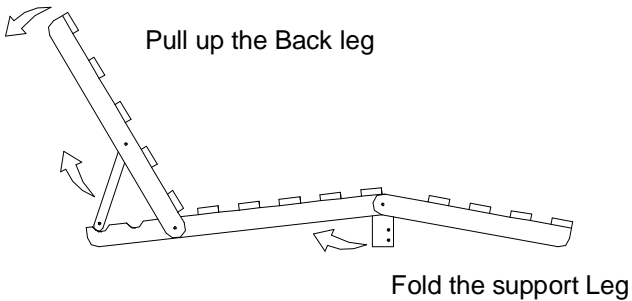
(Fig. 4)



5. Assembly is Complete

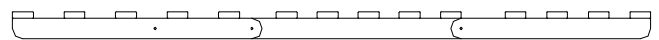


Lounge to Bed Position

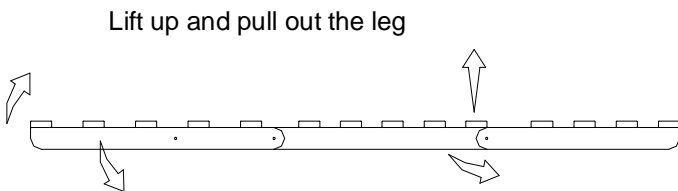


Pull up the Back leg

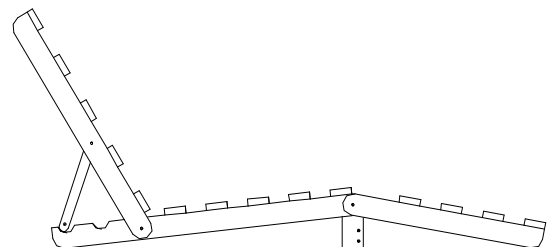
Fold the support Leg



Bed to Lounge Position



Lift up and pull out the leg



Care Instructions:

- For daily cleaning, wipe with a soft damp cloth; Wipe dry immediately.
- Wipe up spills immediately.
- To protect the finish, avoid the use of chemicals and harsh cleaning agents.