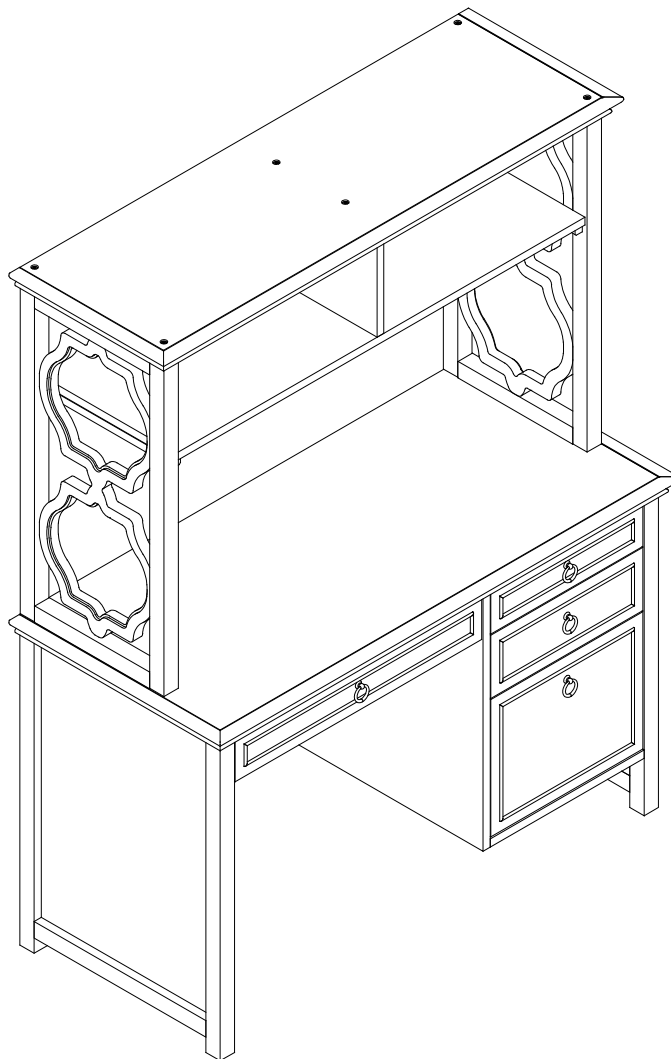


Elsie Desk Hutch

ASSEMBLY INSTRUCTION



IMPORTANT SAFETY INSTRUCTIONS:

- Please read all instructions carefully before assembling this bed.
- For your safety, assembly by two or more adults is strongly recommended.

- Keep these instructions for future use.
- Use only vendor-supplied hardware to assemble this item. Using unauthorized hardware could jeopardize the structural integrity of the item.

PRE- ASSEMBLY:

- Remove all parts and hardware from the box. Place them on a carpeted or scratch-free work surface, as this will avoid damaging parts. The shipping box provides an ideal work surface.
- To avoid accidentally discarding small parts or hardware, please do not dispose of any contents until assembly is complete.
- Two people are recommended for your safety and ease of assembly.
- Prior to starting this assembly, use the parts and hardware lists to identify and separate each of the pieces included.
- The illustrations provided allow for easier assembly when used in conjunction with the assembly instructions.
- Note: Do not fully tighten any of the bolts until all parts are in place. Failure to follow these instructions may cause the bolts to misalign during assembly.
- Please use caution if using power tools to aid in assembly. Power tools can damage the hardware or split the wood.

Part included:

A – Top Panel (x1)

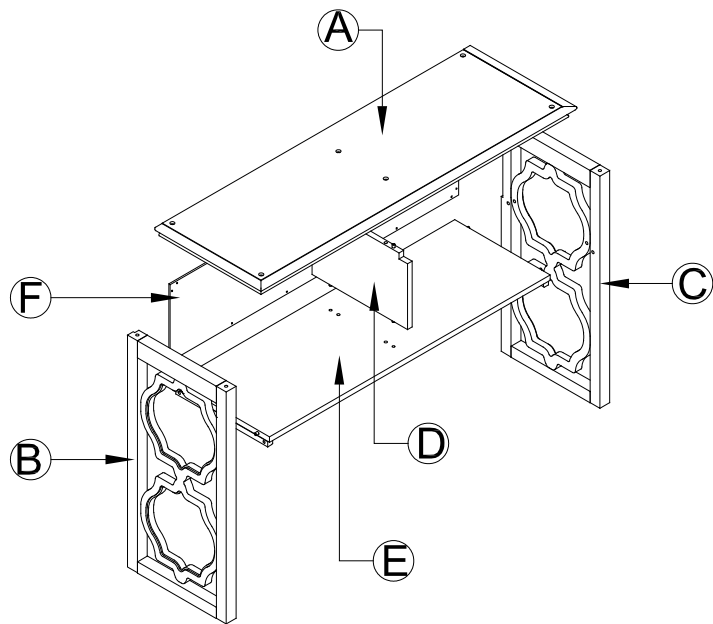
B – Left side panel (x1)

C – Right side panel (x1)


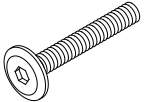


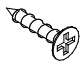
D – Partition board (x1)

E – Bottom shelf (x1)

F – Back panel (x1)

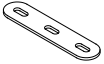
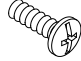


Hardware included:

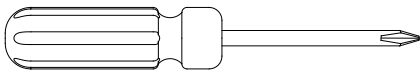
G – Allen Key	H – Long Bolt	I – Spring Washer	J – Flat Washer	K – Phillips head screw
				
Included	1/4"x 28 x13 (mm)	1/4"x10x1.5 (mm)	1/4"x12 x 1.5 (mm)	6 x 19 (mm)
1pc	12pcs	12pcs	12pcs	18pcs

L– Mending Plate	M – Short Bolt
------------------	----------------

Date: 2013-Dec.- 10

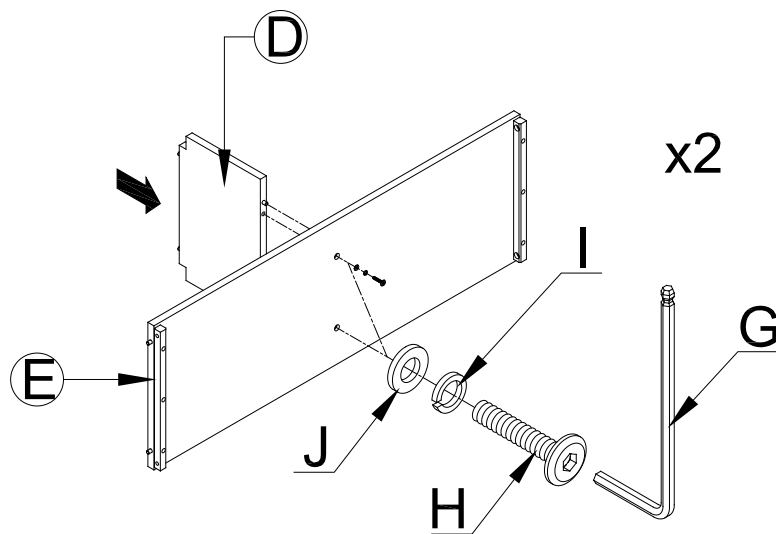
	
85x 19 x2 (mm)	5/32 x12 (mm)
2pc	6pcs

Phillips Head Screwdriver

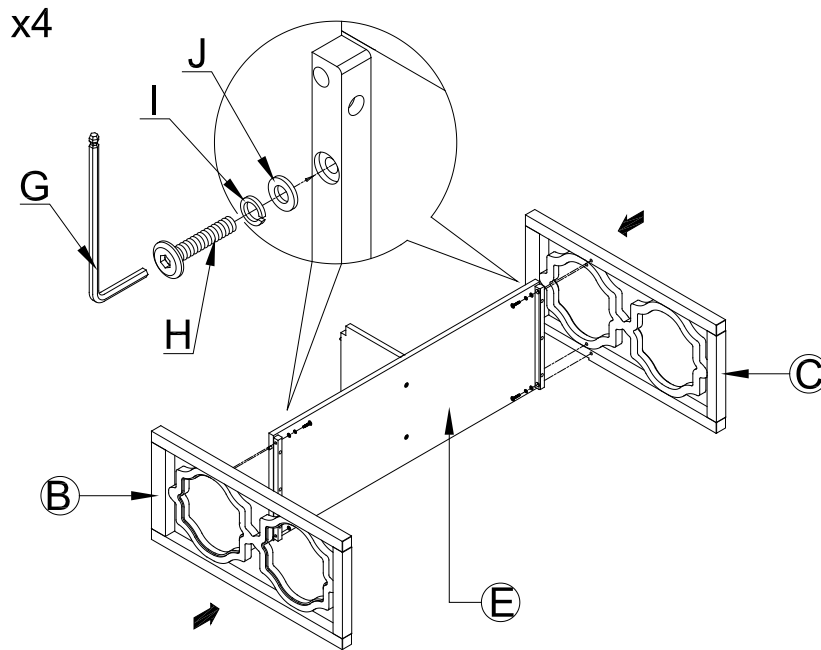


Assembly:

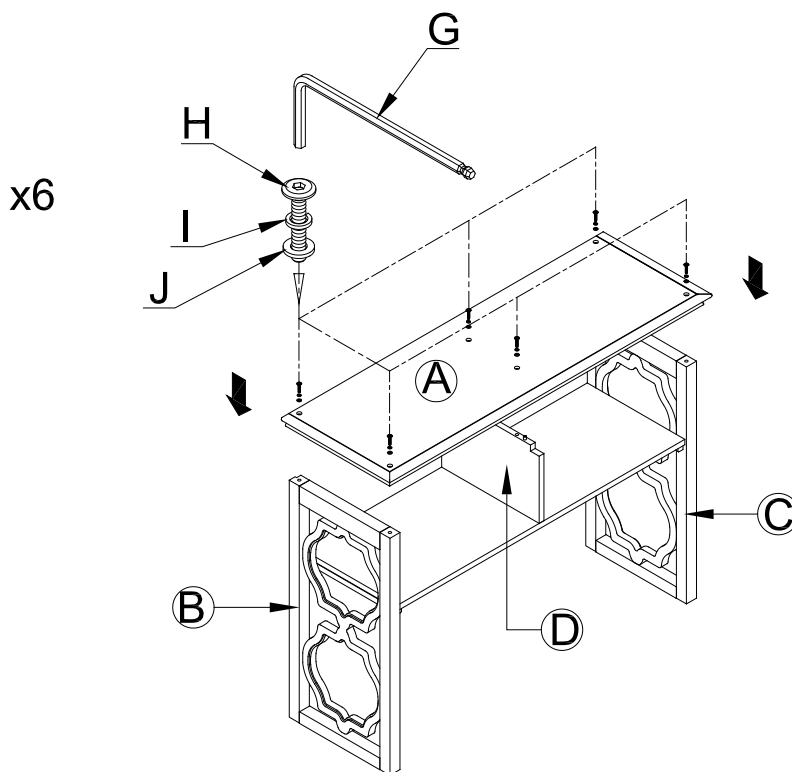
1. Lay the Bottom shelf (E) down on a soft, scratch-free surface such as a rug or carpet. Attach the partition board (D) to the bottom shelf by inserting Long bolt (H) followed with spring washer (I) and flat washer (J) through the pre-drilled of bottom shelf as seen in illustration below. Tighten the bolts with Allen key (G) by do not over tight.



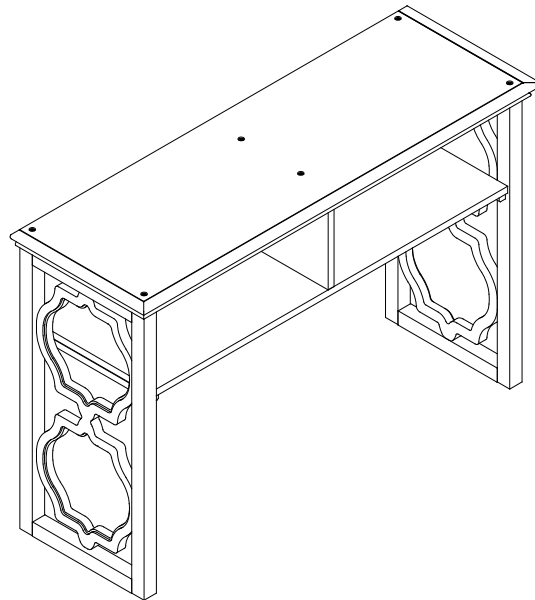
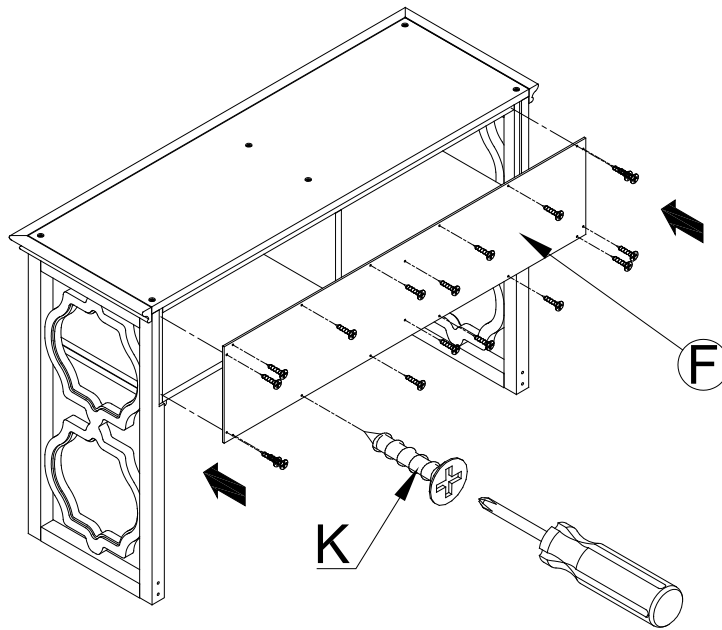
2. Attach the left and right side panels (B&C) to the bottom shelf (E) by inserting Long bolt (H) followed with spring washer (I) and flat washer (J) to the pre-drilled hole of on the cleat of shelf as seen in illustration below, tighten all the bolts with Allen key (G) but do not over tight.



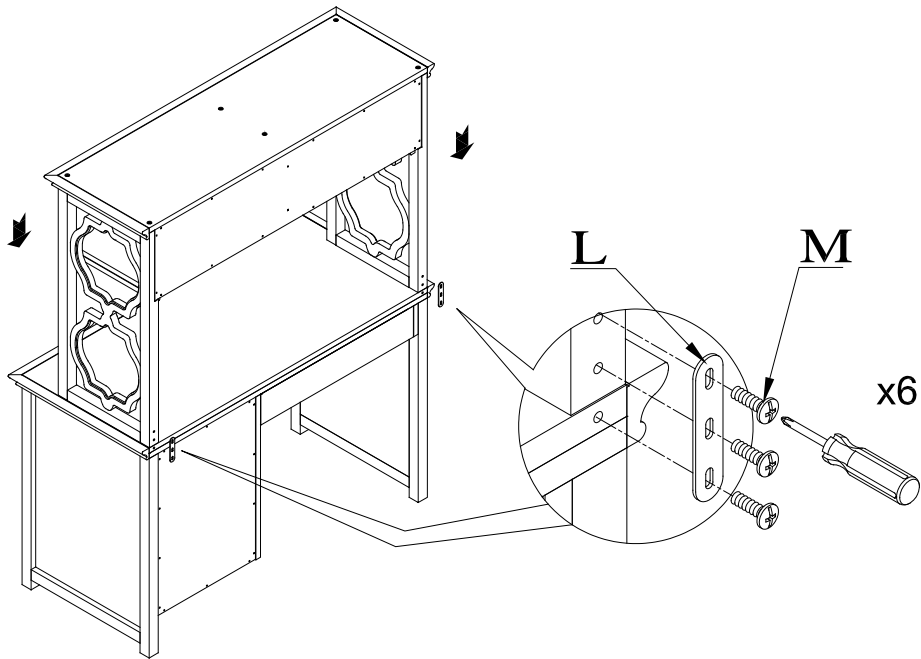
3. Upright the side panels. Put the Top panel (A) on the top of side panels, fix the Top panel with below hardware : Long Bolt (H) followed with spring washer (I) and flat washer (J). tighten all the bolts with Allen key (G) but do not over tight.



4. Using a Phillips Head Screwdriver, attach the Back panel (F) to the hutch with 18pcs of Phillip head screw (K).



5. Carefully place assembled Desk Hutch on Desk (sold separately). Align threaded inserts at the back of Desk and Desk Hutch, Attach the two with Metal plates (M) and Short Bolt (L) and tighten with Phillip screw driver.



Care Instructions:

- Avoid direct sunlight and excessive temperatures.
- Dust often using a clean, soft, dry, and lint-free cloth.
- Slightly moisten cloth with water. A damp cloth holds dust and prevents scratching.
- Waxing is not recommended on lacquered finish.