



# Speaker Ledge

### HARDWARE INCLUDED:

- A. (1) Wall-Mounting Bracket with Bubble Level 24"L
- B. (1) Stud Mounting Screws (1.5" screws with sharp tip)
- C. (2) Toggle Anchors
- D. (2) Toggle Screws (2."L)  
*(The Toggle Anchors and Toggle Screws are meant for dry-wall only)*



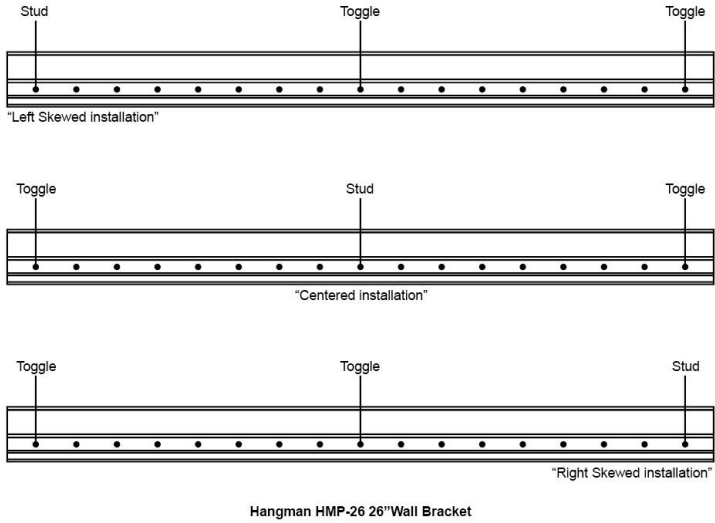
### TOOLS REQUIRED FOR MOUNTING (Not included):

- Wall stud Finder,
- Phillips screwdriver,
- Drill with #2 Phillips bit
- Pencil
- Felt-tipped pen

Note: For safe mounting it is essential to use the proper hardware for your wall type. The hardware included is meant for drywall or wood stud mounting only. If walls are concrete, brick or plaster, please consult your local hardware store for assistance. Mount to wood studs whenever possible.

### MOUNTING INSTRUCTIONS:

1. Hold the shelf against the wall and determine the desired placement. Using a pencil, mark the wall along the upper edge and outer edges of shelf and then set the shelf down on a soft surface.
2. Measure the distance from the top edge to the top edge of the metal bracket mounted on back. Starting with the horizontal marks made in Step #1, measure this distance down and use a pencil to mark the wall.



3. Measure the distance from the outer edges to the nearest edge of the metal bracket mounted on the back. Return to the wall and measure these distances in from each vertical line made in Step #1 and mark the wall with small vertical lines. Note: the horizontal and vertical lines made in Steps #2 & #3 are the upper and outer boundaries for the location of the provided wall bracket.
4. Within the desired mounting location, locate the wall studs using the wall stud finder and mark stud locations using the pencil. (Note: The bracket is long enough to reach at least one stud. To ensure a strong wall-attachment, the bracket must be

secured to at least one stud, as well as Metal Toggle Anchors (to secure to drywall.) Refer to the illustration for stud screw and toggle anchor placement suggestions.

5. Insert the supplied bubble level into the channel of the included wall-mounting bracket. Position the bracket on the wall with its pre-drilled holes positioned below the bubble level and then align the bracket's top edge to the mark made in Step #2 and its outer edges aligned to the corresponding vertical marks made in Step #3. Adjust so that the bracket is level and one pre-drilled hole of the

bracket aligns with a stud. Then, using the pencil, mark the wall through the bracket's pre-drilled hole located over the stud.

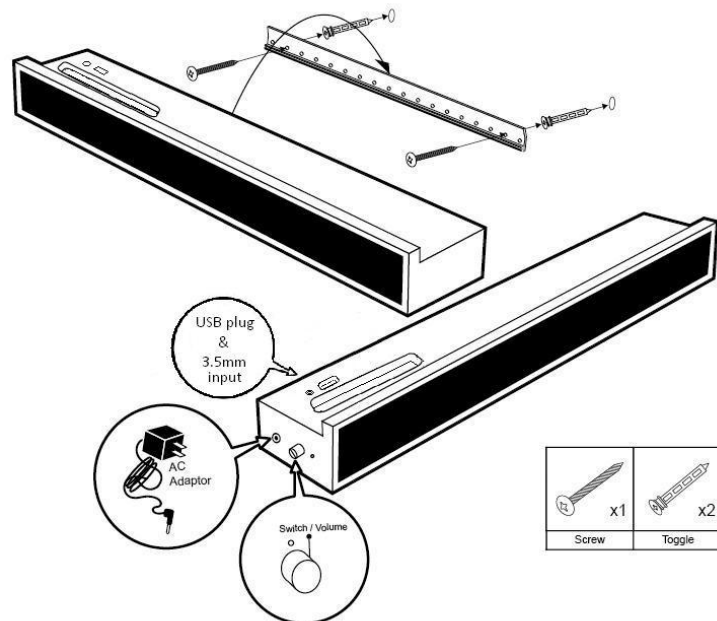
6. Using a Phillips screwdriver or a drill with a #2 Phillips bit, attach the bracket to the wall stud with a Stud Mounting Screw. Note: be sure the pre-drilled holes are positioned below the bubble level. Leave the screw loose enough so that the bracket can be rotated around it.
7. Next, level the bracket against the wall and use the pencil to mark the wall through the appropriate pre-drilled holes of the bracket to indicate the drywall insertion points of the Metal Toggle Anchors. (As shown above, if the stud aligns in the middle of the bracket, then the toggle anchor insertion points are at the very ends of the bracket. If the stud is at one end of the bracket, then the toggle anchor insertion points will be at the other end. In other words, the insertion points of the toggle anchors will depend on how the stud aligns with the bracket. Also, make sure that the stud and the toggle anchors are evenly spaced along the length of the bracket and that, if possible, the ends of the bracket should be secured using either a stud-mounted screw or a toggle anchor.) Use the felt-tipped pen to mark the bracket at the pre-drilled holes that will be used for the toggle anchors. Lastly, use a pencil to mark the wall through the bracket's pre-drilled hole located over any other wall stud.
8. Rotate the bracket so that it is not over the drywall insertion points.

#### DRYWALL MOUNTING

9. Use a Phillips screwdriver to install the toggle anchors at your insertion points. Do not use a drill to install the toggle anchors and do not force or "pound" the anchors into the wall. The toggle anchors are designed to cleanly cut and bore into the wall like a drill bit. Slowly turn an anchor clockwise while applying even pressure until the flange just touches the wall. If the anchor position is close to a stud (1/2" or less), keep turning clockwise until one of the arrows on the flange is pointing to the 12 o'clock position. Repeat with the other anchor(s).
10. Rotate the bracket back to a level position, aligning the appropriate pre-drilled holes over the installed toggle anchors.
11. Using a Phillips screwdriver (not a drill), insert a toggle screw through the pre-drilled hole in the bracket and into a toggle anchor turning clockwise. At this point, you will feel a slight resistance. This is the point where the toggle anchor screw is engaging the pivoting portion of the anchor. Continue turning the screw clockwise until the screw head touches the bracket. Tighten the toggle anchor screw until it becomes difficult to turn. At this point the internal pivot will have engaged the backside of the drywall. Repeat with the other toggle screw(s) and anchor(s).

#### WALL STUD MOUNTING

12. Using a Phillips screwdriver or a drill with a #2 Phillips bit, attach the bracket to the wall stud with a Stud Mounting Screw.
13. Remove the bubble level from the bracket.
14. Tighten the Stud Mounting Screw (from Step #6).



#### HANGING THE PRODUCT:

1. On the back of your product is an affixed Wall-Mounting Bracket.
2. Carefully position the product-mounting bracket over the wall mount bracket, insuring that the two brackets are aligned.
3. Press down firmly to engage the two brackets.
4. Congratulations, your product is now ready for use.

#### WARNING:

- Electrical shock hazard may cause death or serious injury.
- Do not operate Speaker using AC adaptor near water. AC Adaptor is meant for Indoor use only. Always plug adaptor into the docking station before plugging into outlet.
- This unit is intended for tabletop use only.
- Excessive exposure to audio equipment at high volume may lead to hearing loss.
- This power unit is intended to be correctly orientated in a vertical or floor mount position.

**CAUTION:** To reduce the risk of electric shock and fire, do not open any section on this docking station. There are no user serviceable parts inside.

Accessories Included:

- AC Adaptor
- 3.5mm cable

Operating Instruction:

1. Make sure Speaker is turned off. (Rotate Volume dial all the way to the left).
2. Insert small end of the enclosed AC adaptor into Adaptor input. Plug the other end of the adaptor into a wall outlet. NOTE: Use only power adaptor with the following specification: Input AC 120V / Output DC5V 500mA; UL and CUL listed.
3. USB plug can only be used as charging your device. USB plug cannot be used as sound input.
4. When connecting your device to the speaker shelf via BLUETOOTH, please do not plug the 3.5mm cable into the shelf inlet. When the 3.5mm inlet is occupied, BLUETOOTH will automatically disconnect.

This device complies with Part 15 of the FCC Rules. Operation is subject to the following two conditions:

- (1) This device may not cause harmful interference, and
- (2) this device must accept any interference received, including interference that may cause undesired operation.

Changes or modifications to this unit not expressly approved by the party responsible for compliance could void the user's authority to operate the equipment.

NOTE: This equipment has been tested and found to comply with the limits for a Class B digital device, pursuant to Part 15 of the FCC Rules. These limits are designed to provide reasonable protection against harmful interference in a residential installation. This equipment generates uses and can radiate radio frequency energy and, if not installed and used in accordance with the instructions, may cause harmful interference to radio communications. However, there is no guarantee that interference will not occur in a particular installation. If this equipment does cause harmful interference to radio or television reception, which can be determined by turning the equipment off and on, the user is encouraged to try to correct the interference by one or more of the following measures:

- Reorient or relocate the receiving antenna.
- Increase the separation between the equipment and receiver.
- Connect the equipment into an outlet on a circuit different from that to which the receiver is connected.
- Consult the dealer or an experienced radio/TV technician for help

Care Instruction:

Dust with a soft, dry cloth. Do not use glass cleaner, abrasives, wax or household cleaners as they may damage the finish on this product.

Thank you for your purchase.  
[www.pbteen.com](http://www.pbteen.com)