



## Stuff-Your-Stuff Headboard Queen

### Pre-Assembly:

- Please read all instructions before beginning assembly.
- Save all packing materials until assembly is complete to avoid the accidental discarding of smaller parts or hardware.

### Parts included:

(A) Headboard – 1 pc	(B) Metal Bedframe (sold separately) – 1 pc

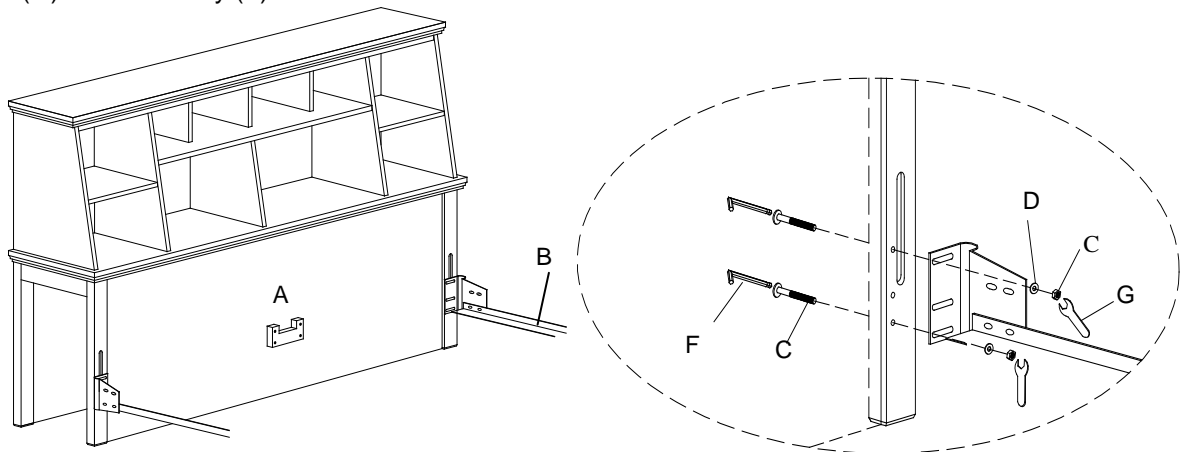
### Hardware's included:

(C) Carriage Bolts – 4 pcs (M6 x 70mm)	(D) Flat Washer 4 pcs	(E) Nuts – 4 pcs	(F) Allen Key – 1 pc	(G) Wrench – 1 pc

**Note:** Your Stuff-your-stuff headboard will fit with a PBTeen standard bedframe. Please use the hardware included with the Stuff-your-stuff headboard to attach the metal bedframe (sold separately) to the headboard. Do not use hardware included with your bedframe.

### Assembly Instruction:

1. Determine desired location of headboard. Stand Stuff-your-stuff headboard (A) upright.
2. For each side of the headboard, insert two Carriage Bolts (C) through the headboard and into the pre-assembled bedframe plates. Fasten with two Flat Washer (D) and two nuts (E). Tighten hardware with a wrench (G) and Allen key (F).



### Care Instructions:

- For daily cleaning, wipe with a soft damp cloth; Wipe dry immediately.
- To protect the finish, avoid the use of chemicals and harsh cleaning agents