

UNIVERSAL SIMPLE BED (TWIN & FULL)

Important Safety Instructions:

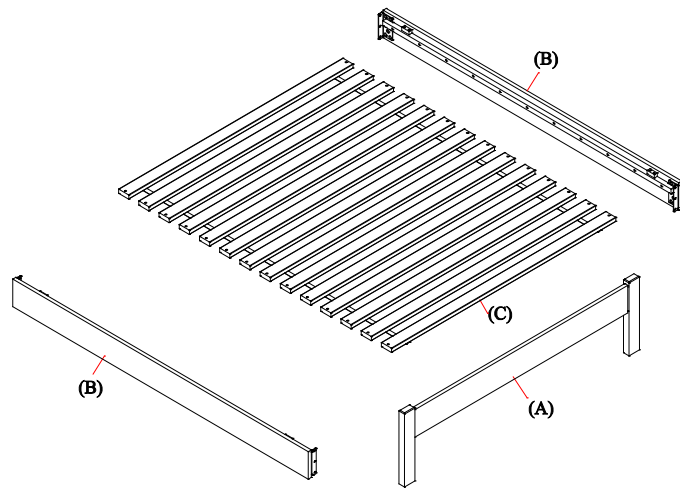
- Please read all instructions carefully before assembling.
- For your safety, assembly by two or more adults is strongly recommended.
- Keep instructions for future use.
- Use only vendor supplied hardware to assemble. Using unauthorized hardware could jeopardize the structural integrity of the item.

Pre-assembly:

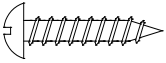


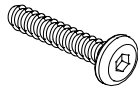

- Remove all parts and hardware from the box and lay out on a clear carpeted or scratch-free work surface, as this will avoid damaging parts during assembly. The shipping box provides an ideal work surface.
- Do not dispose of any packaging or contents of the shipping carton until assembly is completed to avoid accidentally discarding small parts or hardware.
- Use the parts and hardware lists below to identify and separate each of the pieces included.
- The illustrations provided allow for easier assembly when used in conjunction with the assembly instructions.
- The use of power tools to aid in assembly is not recommended. Power tools can damage hardware and split wood.

PARTS INCLUDED:

- (A) Footboard – 1x
- (B) Side rail – 2x
- (C) Slat – 1 set

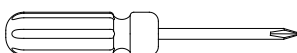


HARDWARE INCLUDED:

(D) Wood Screw -28x 	(E) Flat Washer - 12x 	(F) Lock Washer - 12x 	(G) Allen Bolt - 12x 	(H) Allen Key – 1x 
---	---	---	--	---

TOOL REQUIRED (not included):

Phillips Head Screwdriver



Assembly Instruction Steps:

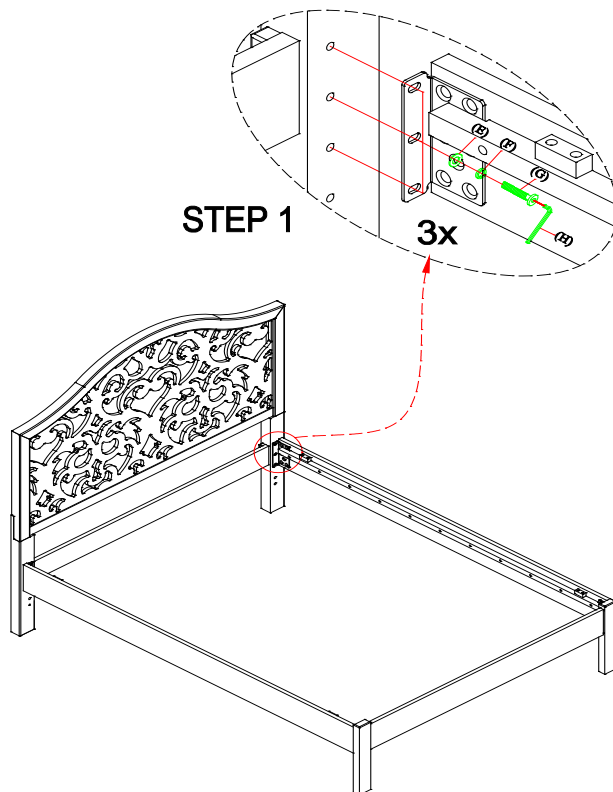
This simple base can assembly with different Camden HBs that includes Circulo or Floral Cut Out Headboard

Buy the desired one for your home use.

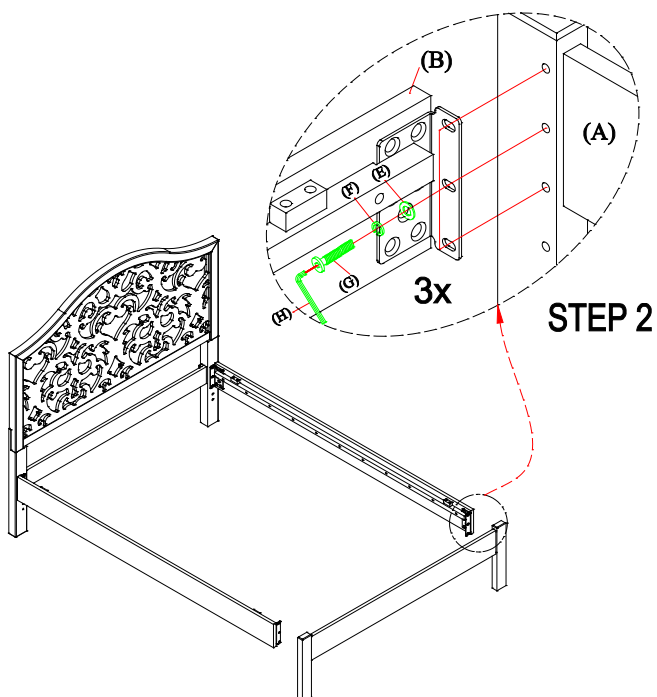
Note: Use the instruction packed with the headboard to assembly it first

Assembly Instruction Steps:

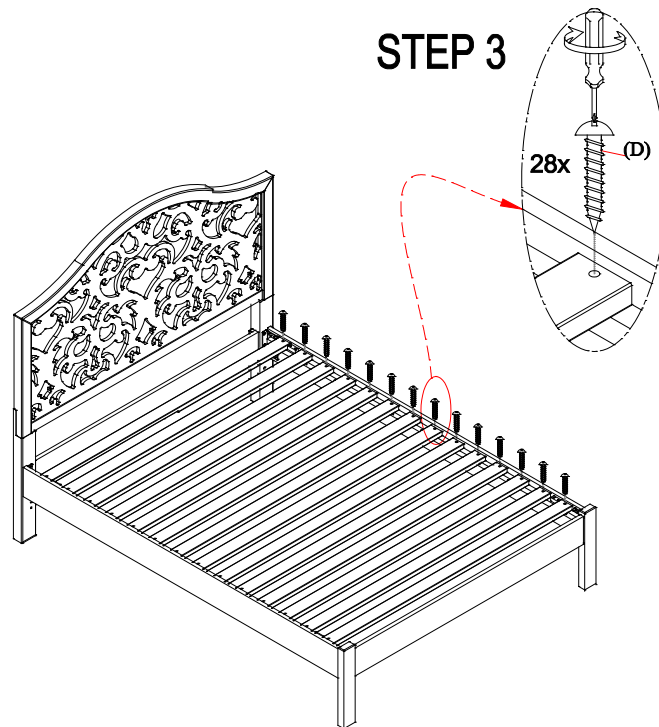
1. Attach Side rail (B1) with the desired headboard by using Flat Washer (E), Lock Washer (F), and Allen Bolt (G). Tighten with the Allen Key (H), Illustration here is Circulo HB.
2. Repeat above step for Side rail (B2) to Headboard, as seen in the illustration below.



3. Repeat above steps to assembly the side rails (B) with the Footboard (A), as seen in the illustration below.



4. Roll out the Slat (C) and secure with 28 Wood Screws (D) using a Philips Head Screwdriver.



5. Assembly is completed.

Care Instructions:

- Dust often using a clean, soft, dry and lint-free cloth.
- Blot spills immediately and wipe with a clean, damp, cloth.
- We do not recommend the use of chemical cleansers, abrasives or furniture polish on our lacquered finish.
- Hardware may loosen over time. Periodically check to make sure all connections are tight. Re-tighten if necessary.

Thank you for your purchase
Stores | catalog