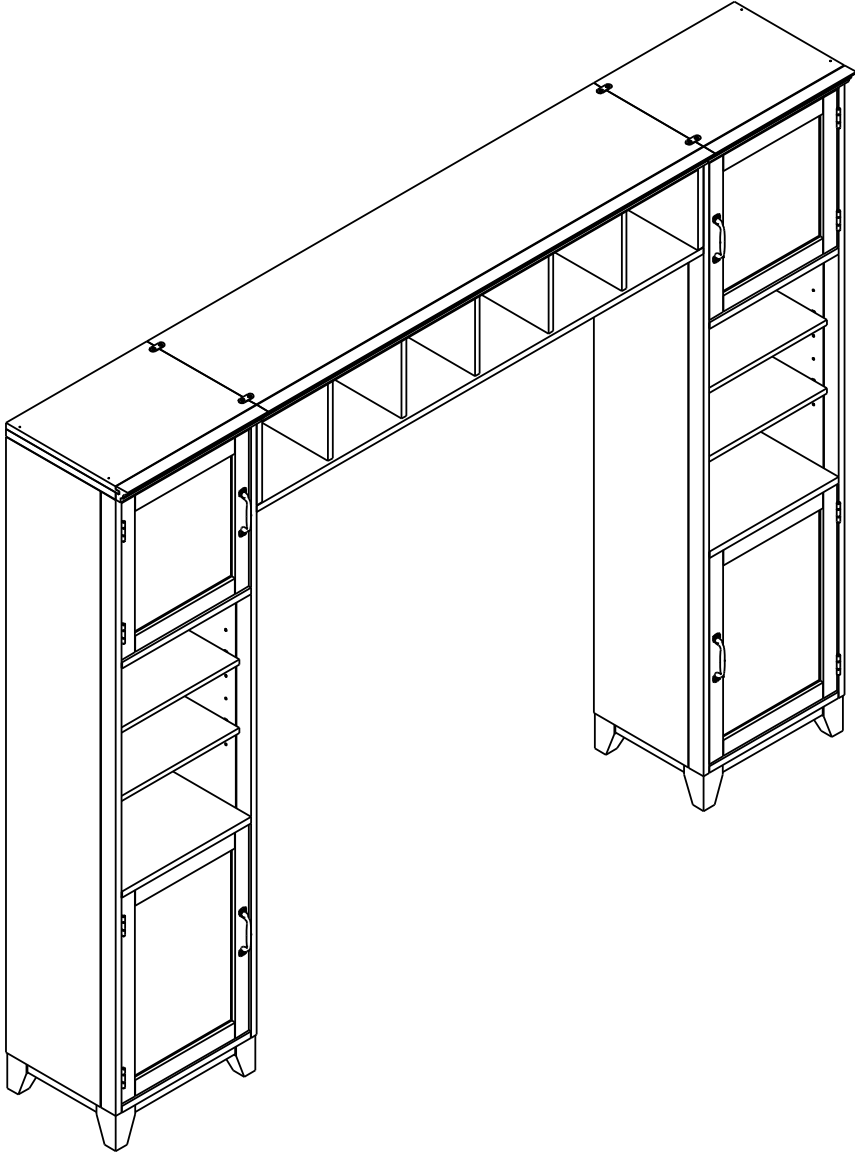




# Hampton Hutch

## ASSEMBLY INSTRUCTION



**Important safety instructions:**

[www.pbteen.com](http://www.pbteen.com)

Page 1 of 4

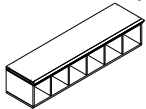
- Please read all all instruction carefully before assembling this desk.
- For your safety, assembly by two or more adults is strongly recommended.
- Keep these instructions for future use.
- Use only vendor-supplied hardware to assembly this item. Using unauthorized hardware could jeopardize the structural integrity of the item.

**Pre- assembly:**

- Remove all parts and hardware from the box and place them on a carpeted or scratch-free work surface. The shipping box provides an ideal work surface.
- To avoid accidentally discarding small parts or hardware, please do not dispose of any contents until assembly is complete.
- Two people are recommended for your safety and ease of assembly.
- Prior to starting the assembly, use the parts and hardware lists to identify and separate each of the pieces included.
- The illustrations provided allow for easier assembly when used in conjunction with the assembly instructions.
- Note: Do not fully tighten any of the bolts until all parts are in place. Failure to follow these instructions may cause the bolts to misalign during assembly.
- Please use caution if using power tools to aid in assembly. Power tools can damage the hardware or split the wood.

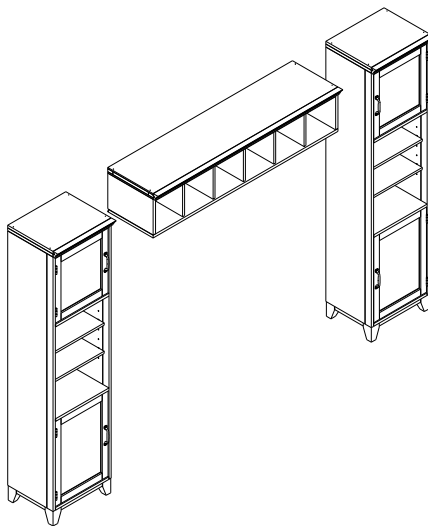
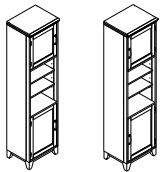
**PARTS INCLUDED:**

A – Hutch – 1 pc

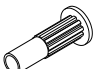

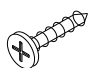



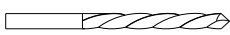
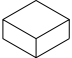
**PARTS REQUIRED (but not included):**

B – Left & Right Shelf Tower



**HARDWARE INCLUDED:**

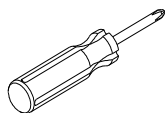
C – Connecting Sleeve	D – Connecting Screw	E – Phillips Head Screw	F – Mending Plate
			
4 x 9.5 x14 (mm)	4x 9.5 x25 (mm)	6x25 (mm)	42x16 x 2 (mm)
4pcs	4pcs	8pcs	4pcs

G – Drill Bit	H – Wooden Block
	
M5 x 85 (mm)	50 x 50 x19 (mm)
1pc	1pc

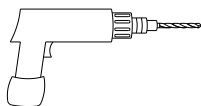
**TOOLS REQUIRED (but not included):**

Date: 2019 Aug 26

Phillip Head Screwdriver



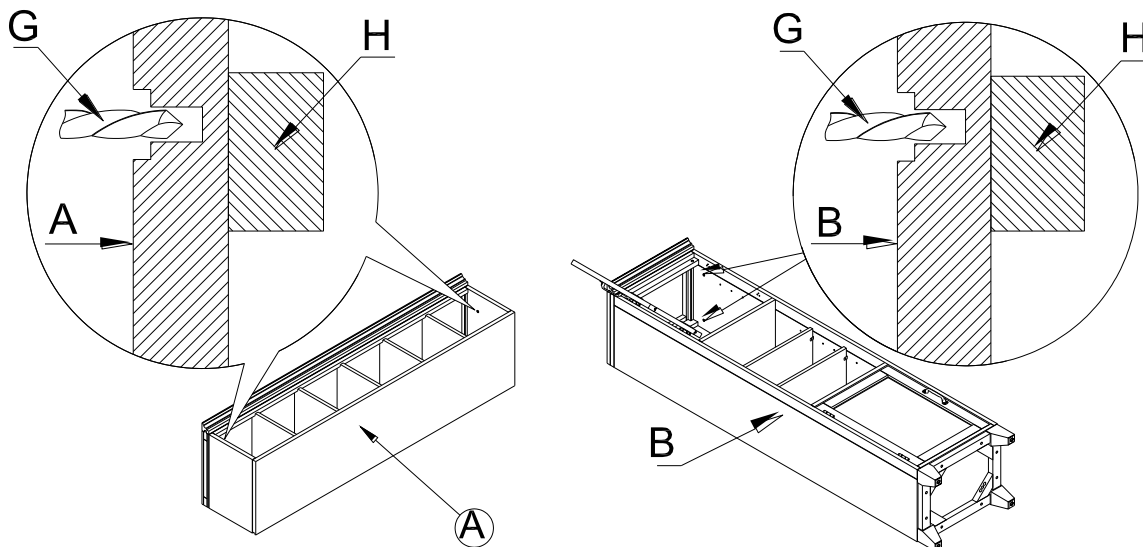
Power Drill



**ASSEMBLY:**

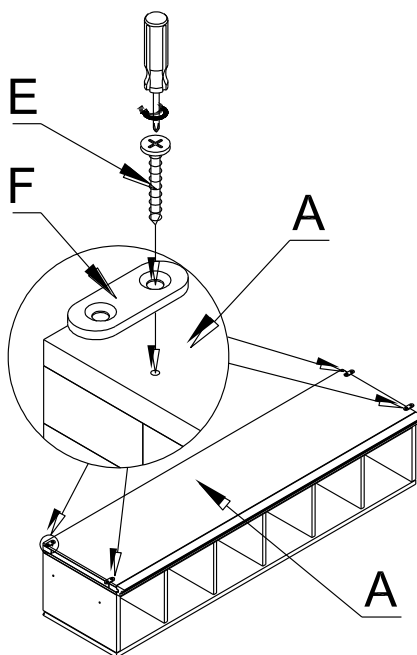
1. Attach the Drill Bit (G) to the Power Drill. Locate the partially-drilled holes on the inside of Hutch (A). Hold and press Wood Block (H) on the opposite side of the hole to prevent any breakage or damage when drilling as shown below in Figure 1. Lay Left & Right Shelf Tower (B) on the floor and repeat the same step for the Towers (B). **Please Note:** Be cautious to keep hands away from moving drill bit.

Figure 1



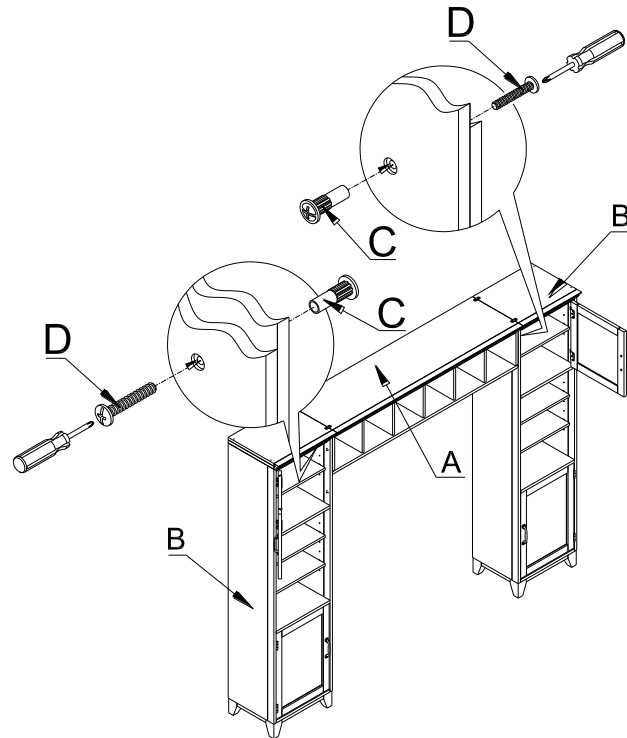
2. Align the pre-drilled holes of the Mending Plate (F) to the pre-drilled holes on the top of the Hutch (A). Insert a Phillip Head Screw (E) through the pre-drilled holes of the Mending Plate (F) and into the pre-drilled holes on top of the Hutch (A); tighten using a Phillip Head Screwdriver as shown below.

Figure 2



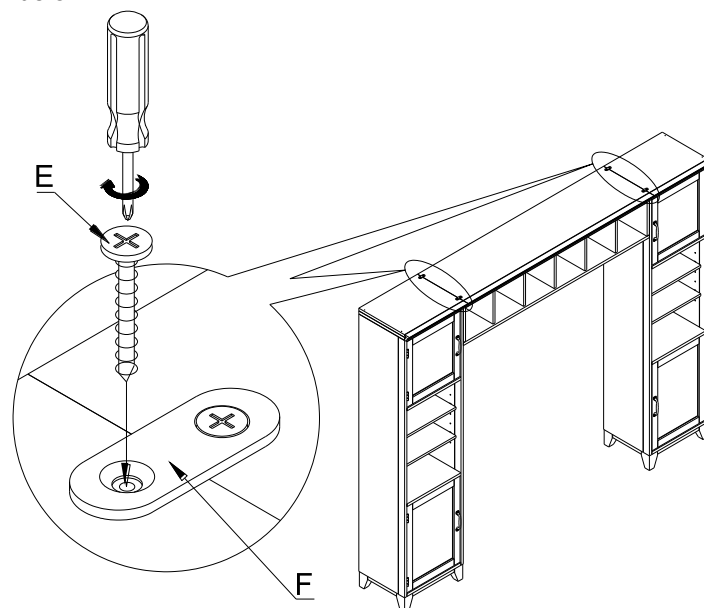
3. Turn Left & Right Shelf Tower (B) upright; ensure the Towers (B) are completely level before attaching the Hutch (A), so that they align at a 90 degree angle to the Hutch (A) once assembly had been completed.
4. Using two people place the Hutch (A) in between the two Towers (B). Place the Connection Sleeve (C) into the pre-drilled holes on the interior ends of the Hutch (A) and the Connecting Screw (D) into the pre-drilled holes on the interior sides of the Left & Right Shelf Towers (B) as shown below. Tighten the Connecting Sleeve (C) and Connecting Screw (D) together using a Phillips Head Screwdriver. Repeat with the remaining 3 Connecting Sleeves (C) and Connecting Screw (D).

Figure 3



5. Align the assembled Mending Plate (F) over the pre-drilled holes on the top of the Left & Right Shelf Tower (B). Insert the Phillips Head Screw (E) through the pre-drilled holes of the Mending Plate (F) and into the pre-drilled holes on the top of the Left & Right Shelf Tower (B); Tighten using the Phillips Head Screwdriver as shown below.

Figure 4



**CARE INSTRUCTIONS:**

- Avoid direct sunlight and excessive temperatures.
- Dust often using a clean, soft, dry and lint-free cloth.
- Waxing is not recommended on lacquered finish.
- Hardware should be checked periodically for tightness.