



Oxford Simple Bed  
Assembly Instructions

Pre-Assembly:

- Please read all instructions before beginning assembly.
- For your safety and convenience, assembly by two adult is recommended.
- Carefully set out and identify all part hardware prior to assembly.
- Save all packing materials until assembly is complete to avoid accidentally discarding small part or hardware.

Parts Enclosed in Box 1:

- (1) Headboard (A)
- (1) Footboard (B)

Parts Enclosed in Box 2:

- (2) Side rails (C)
- (1) Slat Rolls (D)
- (3) Leg supports (E) (Queen Only)
- (1) Mid Beam (F) (Queen Only)

Hardware Enclosed in box 2:

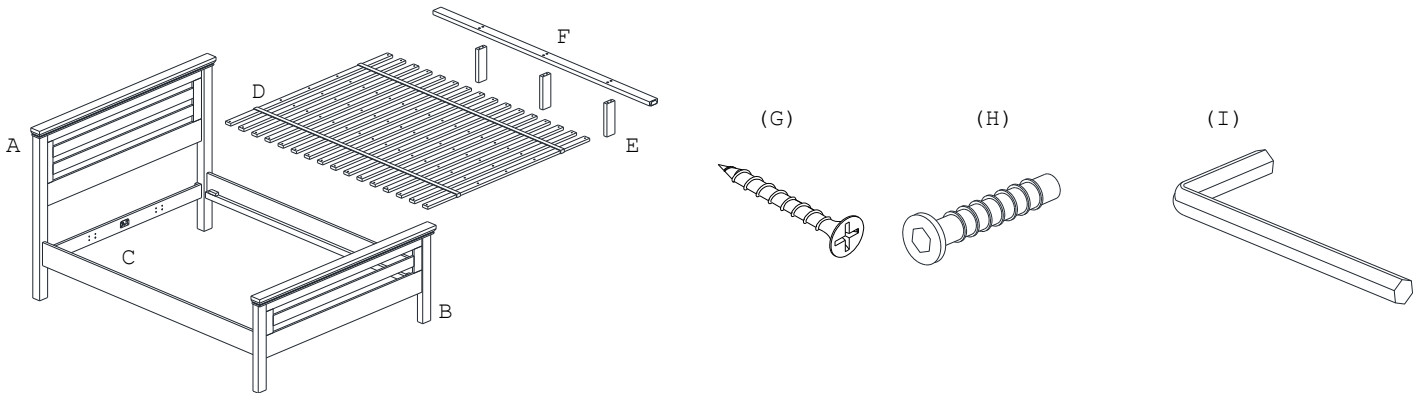
- Screws (G)
- (32) 8 x 1 ¼" (Twin)
- (32) 8 x 1 ½" (Full)
- (48) 8 x 1 ¼" (Queen)

For Queen Only:

- (6) Allen Bolts ¼" x 2" (H)
- (1) Allen Key M4 (I)

Tool Requirement:

- Screwdriver (Not Included)



To Assemble Bed:

**Note: Please make sure the Headboard (packed in separate carton) is assembled before continue to the steps below.**

1. Attach the side rails (C) to headboard (A) and footboard (B) by inserting hook ends into the corresponding slots. Ensure connections are secure as shown in fig 1, illustration 1.

**Note:**

**For Twin & Full Size the units do not have any mid beam, so skip the steps no 2, 3 and 4.**

2. Attach leg supports (E) to the Mid Beam (F) by inserting Allen Bolts (H) through the holes on the Mid Beam (F) into the inserts in the legs supports (E). Tighten with Allen Key (I) as shown in fig 2.

Fig.1

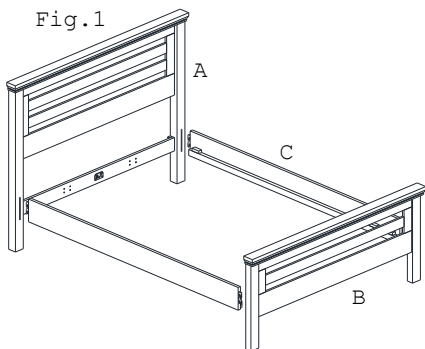


Illustration.1

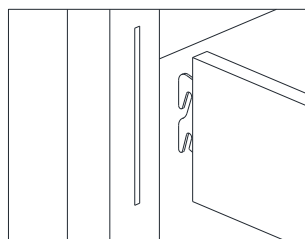
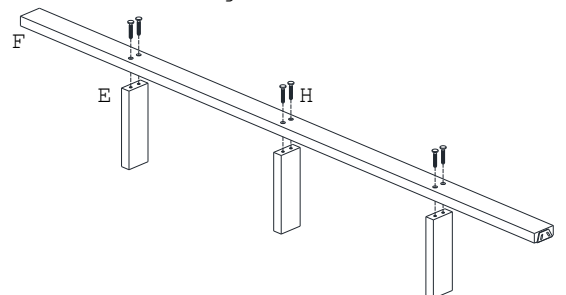


Fig.2

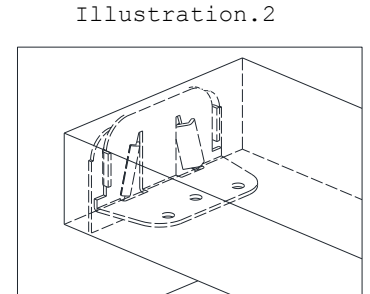
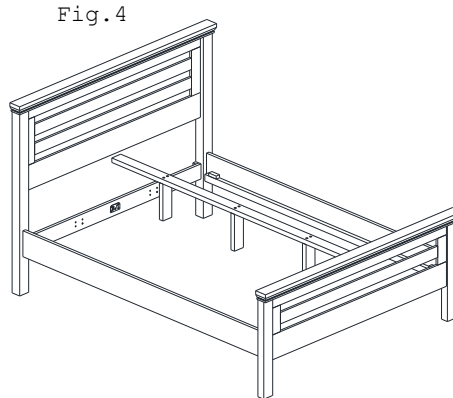
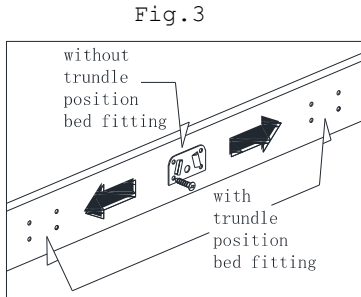


**Note:** If a trundle is not used, skip this step.

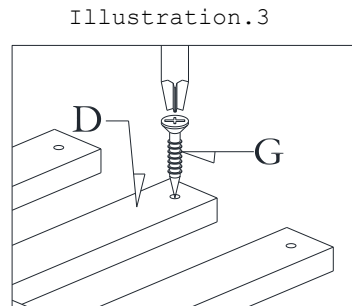
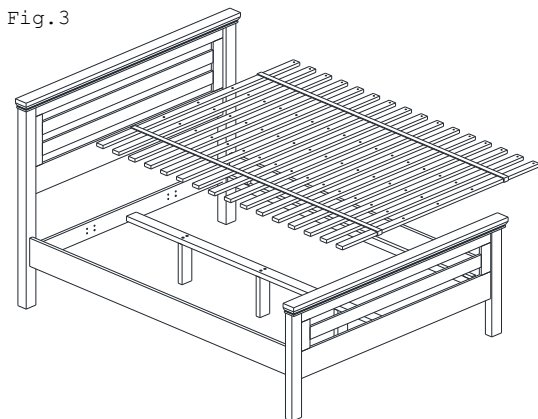
If a trundle will be used, the position of the mid beam is not at center. The metal bracket on the headboard/footboard has to be moved and re - attached either on the left or right, depending where the trundle will be placed.

3. Remove the metal brackets on headboard (A) and footboard (B) by releasing the bolts on the metal brackets as shown in fig 3. Re-attach again on desired position by inserting the bolts through the threaded hole.

4. Attach the Mid Beam (F) to the headboard (A) and footboard (B) by sliding it onto the metal bracket as shown in fig 4, illustration 2.



5. Lay slat rolls (D) in place over side rails lips and insert the screws (G) into the holes at the end of the slats (D). Tighten with a screwdriver (Not Included) as shown in fig 3, illustration 2.



**Care Instructions:**

- Avoid direct sunlight and excessive temperatures.
- Dust often using a clean, soft, dry and lint-free cloth.
- Waxing is not recommended on lacquered finish.
- Please wipe up all spills immediately.