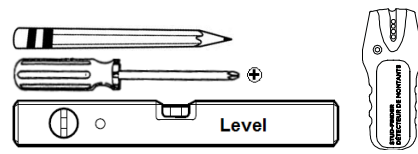


**HARDWARE INCLUDED:**

- (2) Screw                      (2) Drywall Anchor



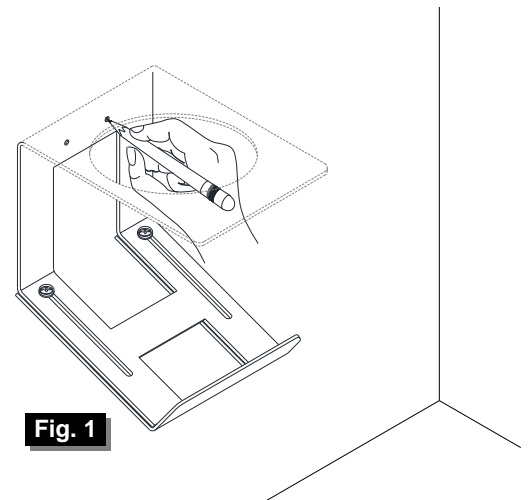
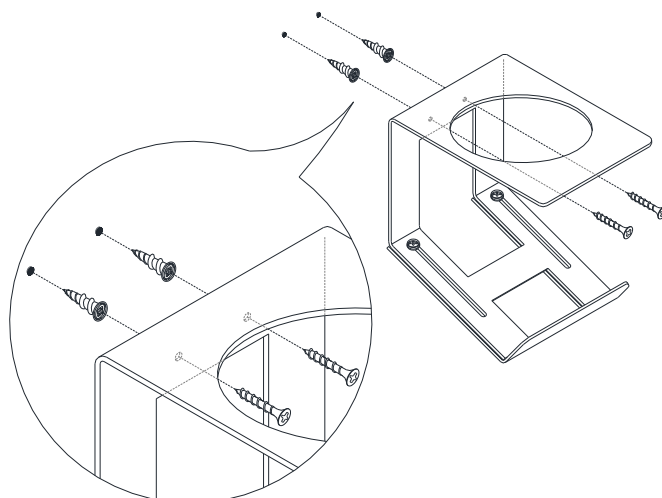
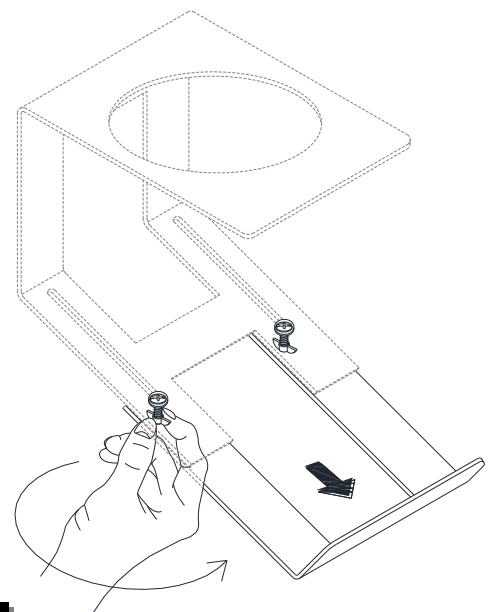
**Note:** The provided mounting hardware is meant for drywall and stud construction only. For other wall types, please consult your local hardware store for assistance in selecting the appropriate hardware.

**TOOLS NEEDED (not included):****WARNING! Do not mount this item above cribs, beds, or changing tables.**

Maximum total weight capacity for this product is 15 pounds (6.8 kg).

**MOUNTING INSTRUCTIONS:**

1. Position the item at a desired mounting location on wall. Place a level on the top of the item to ensure it is level. Using a pencil, mark on the wall the screw locations of the item as shown (see Fig.1). Set the item aside. The resulting marks are the insertion points for the mounting hardware.
2. Use a stud-finder to determine if there is a wall stud located at either insertion mark. If a mark aligns with wall stud, leave the mark to Step (4) as you will only install a screw at that location.
3. For marks that do not align with a stud, first install the anchors into the wall. To do this, use a Phillips screwdriver to engage an anchor and then position the anchor tip against the wall at one of the marks. Rotate the anchor clockwise as you firmly push it into the wall. The anchor will drive itself into the wall like a large screw. Continue rotating until the anchor's head is flush with the wall surface. Do not over-tighten.
4. Lift the item against the wall so that the mounting holes of the item align with either installed anchors or a pencil mark (if a stud located there). Use the screwdriver to secure a screw through each mounting hole and into the wall. Rotate the screws clockwise until tight so that the item becomes firmly attached on the wall. (see Fig.2)
5. The lower plate is extendable. Loosen the wing nuts behind the plate, pull-down the plate for a desired length and then re-tighten the wing nuts. The product now is ready to use. (see Fig.3)

**Fig. 1****Fig. 2****Fig. 3****CARE INSTRUCTIONS:**

- Wipe with a soft, dry or slightly damp cloth.
- To protect the finish, do not apply household cleaners or abrasives.

Thank you for your purchase!

[www.pbteen.com](http://www.pbteen.com)