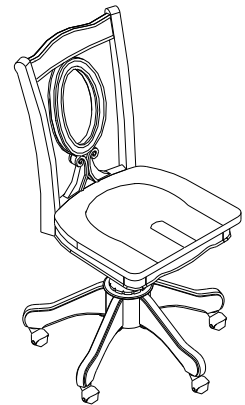




Chelsea Swivel Chair

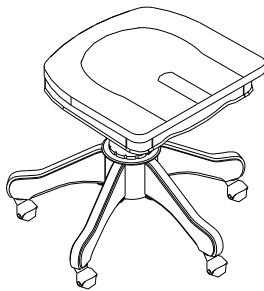
Pre-assembly:

- Please read all instructions before starting to assemble.
- Two-person is recommended during assembly..
- Save all packing materials until assembly is complete to avoid accidentally discarding smaller parts or hardware.
- Do not use power tools as it may cause cracking.

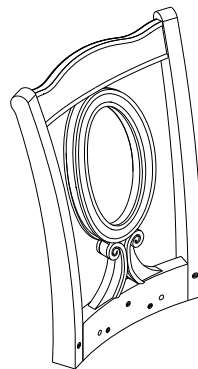


Parts Included:

A –Chair Seat - 1pc

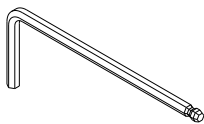


B – Chair Back– 1pc

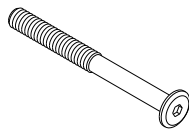


Hardware Included:

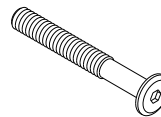
C– Ball tip Allen key – 1 pc
(4 x 95 x 30mm)



D – Allen Bolt – 2 pcs
(5/16" x 89 x 15mm)



E – Allen Bolt – 3 pcs
(5/16" x 63 x 15mm)



F –Spring Washer – 5 pcs
(5/16"x13x2mm)



G – Flat Washer – 5 pcs
(5/16"x18x2mm)



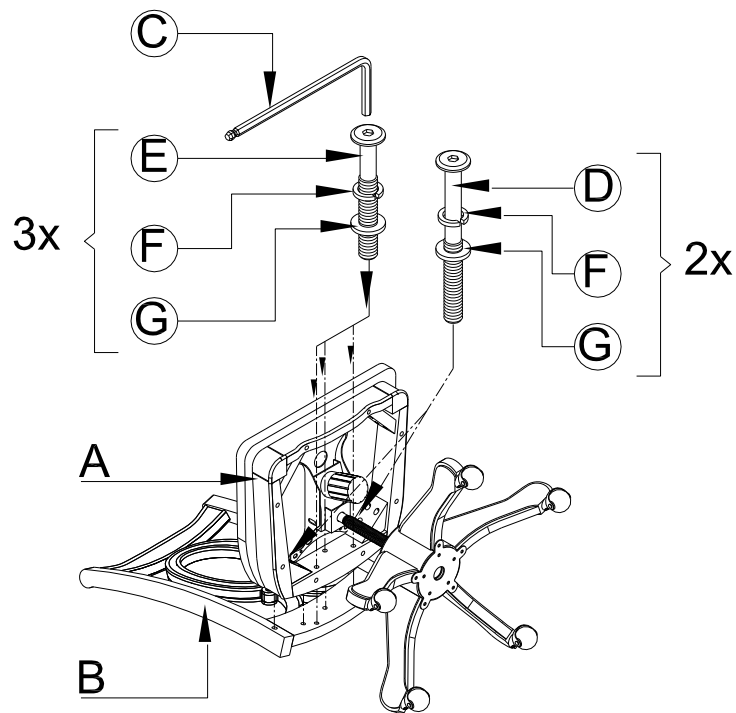
Tools Required:

(1) Phillips Screwdriver (not included).

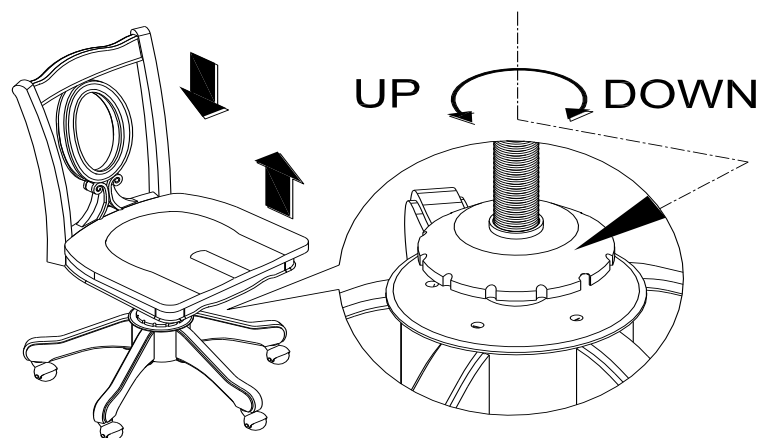


Assembly:

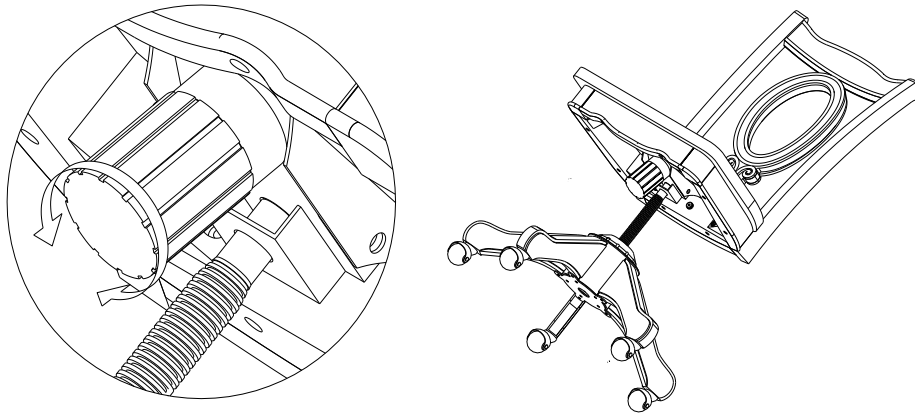
1. Lay down the Chair back (B) on a soft, scratch-free surface such as a rug or carpet. Align wooden dowels on chair seat (A) with pre-drilled holes in chair back (B), insert 2pcs Allen bolt(D) and 3pcs Allen bolt(E) with a Spring washer (F) and a Flat washer(G) on each bolt through the pre-drilled holes in chair seat (A) into metal inserts in Chair Back (B) as show below ,tighten with Allen key(C) but do not over tight.



2. Bring the Chair upright onto its feet. To adjust the height of the seat, loosen the Phillips head Screw found on the black metal cap at the base of the chair base with Phillips Head screwdriver. Hold the black metal cap with one hand while turning the Chair in a counter-clockwise direction to raise or a clockwise direction to lower. Once the seat reaches desired level, re-tighten Phillips head Screw on the black metal cap.



3. To adjust the tilt of the Seat Back, loosen the tilt knob found under the seat by turning in counter-clock wise direction, tilt seat to desired position. Turn tilt knob in clockwise direction to re-tighten.



Care Instructions:

- Avoid direct sunlight and excessive temperatures.
- Dust often using a clean, soft, dry and lint-free cloth.
- Slightly moisten cloth with water. A damp cloth holds dust and prevents scratching.
- Waxing is not recommended on lacquered finish.