



## Locker Bedside

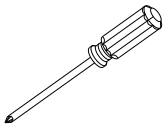
### Pre-Assembly:

- Please read all instructions before beginning assembly.
- Two-adult assembly is recommended.
- Save all packing materials until assembly is complete to avoid accidentally discarding smaller parts or hardware.

If using power tools to aid in assembly please use with caution. Power tools can damage hardware.

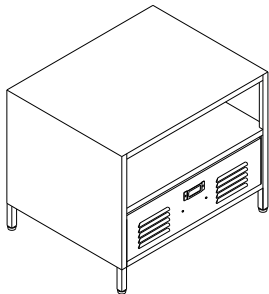
Note: Do not fully tighten all bolts until all parts are in place. Failure to follow these instructions may cause the bolts to misalign during assembly.

### TOOLS REQUIRED:



Phillips Head Screwdriver (Not included)

### PARTS INCLUDED:



A – Bedside – 1pc

### Assembly Instructions:

1. Adjustable Levelers have been screwed into the legs of Frame. If bedside (A) is not level you may slowly unscrew the leveler to attain a level position. See Figure 1.

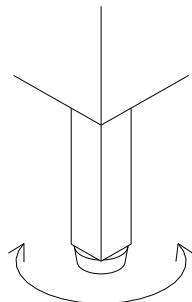
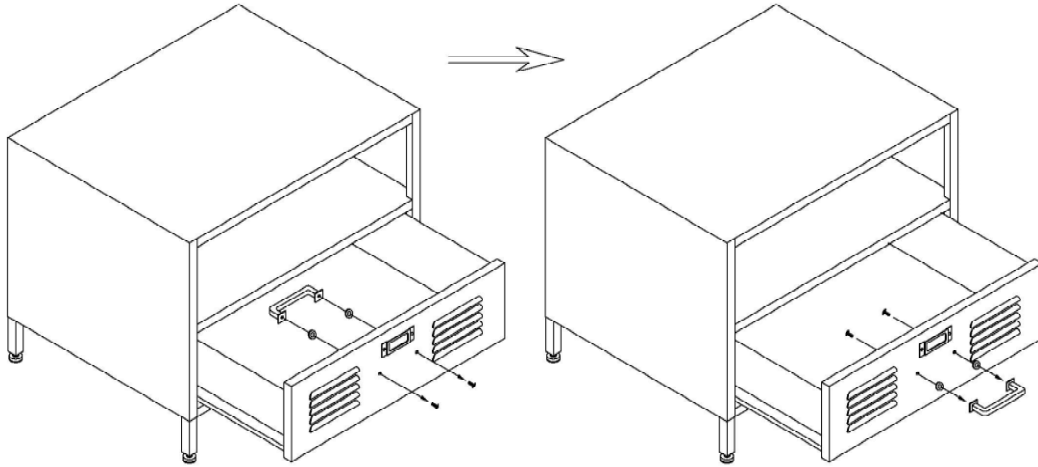


Figure 1

2. The handle is pre-assembled on the interior of the drawer. Use a Phillips head screwdriver to unscrew and remove the handle and washers from drawer, then re-attach the washer and handle to the drawer as shown. See Figure 2.

Figure 2



3. Assembly is now completed.

**Care Instructions:**

- Furniture polishes, abrasive cleaner and household cleaners are not recommended for use. Use a slightly damp cloth to clean.
- Dry thoroughly.