



Peace and Love Icon Display Holder

Assembly instructions

Parts Included:

- (A) Base
- (B) Rod
- (C) Peace & Love (Top part)

Assembly Instructions:

Step 1: Rod (B) includes two threaded ends. One end is sized to fit into a threaded bore of Base (A). Insert this threaded rod end into the threaded bore of Base (A). Rotate the rod clockwise until hand tight.

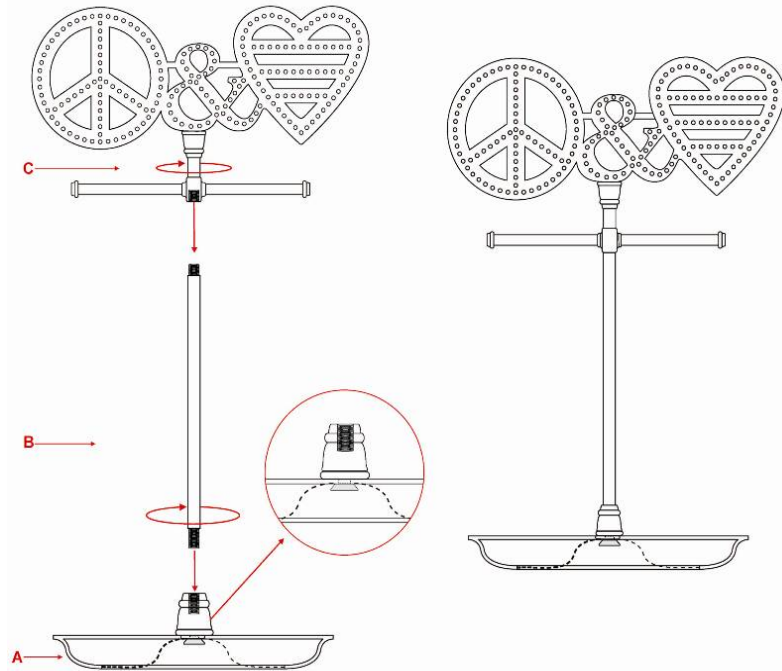
Step 2: Peace & Love (C) includes a threaded bore. Engage the threaded rod end of Rod (B) with the threaded bore of Peace & Love (C). Rotate the Peace & Love clockwise by hand until tight.

The product is ready for use.

Care Instructions:

Dust occasionally. If necessary, spot clean using a damp cloth.

Do not use strong chemical or abrasive cleaners!



Thank you for your purchase!