



CAPIZ INLAY LAMP

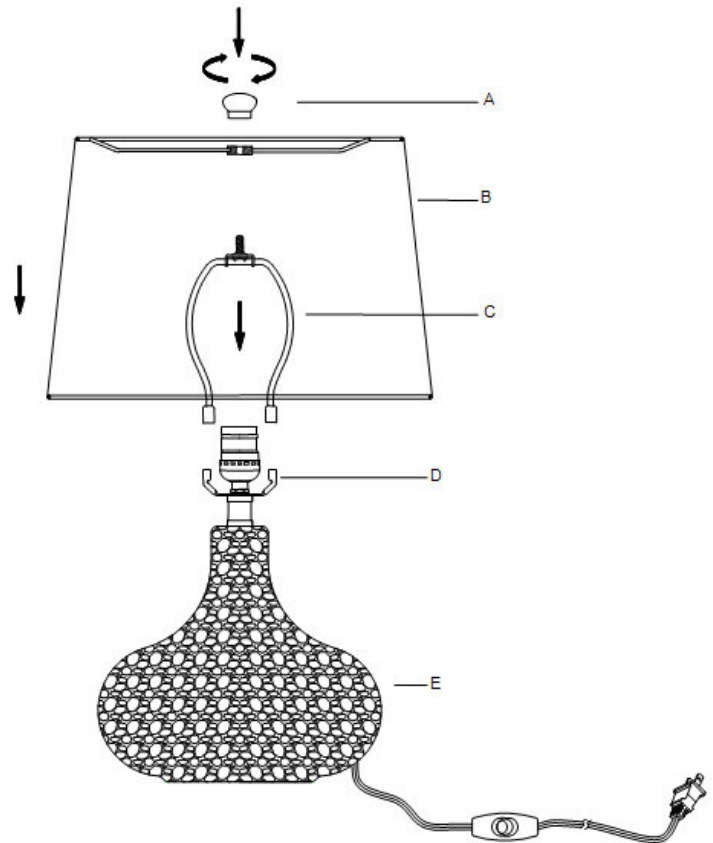
IMPORTANT SAFETY INSTRUCTIONS: This product has a polarized plug (one blade is wider than the other) as a feature to reduce the risk of electric shock. This plug will fit in a polarized outlet only one way. If the plug does not fit fully in the outlet, reverse the plug. If it still does not fit, contact a qualified electrician. Never use with an extension cord unless plug can be fully inserted. Do not alter the plug.

PARTS INCLUDED:

- A – Finial (1pc) B – Shade (1pc)
C – Harp (1pc) D – Socket (1pc)
E – Base (1pc)

Assembly Instructions:

1. With the open ends of Harp (C) facing down, slide the two Harps Caps up along Harp (C) and then gently squeeze the open ends of the harp towards each other a small amount so that they can be inserted into the two receivers formed in Saddle (D). Release the open ends so they become engaged with Saddle (D) and then let the caps slide down the harp to cover and hold the harp ends.
2. Unscrew Finial (A) from the threaded stud located at the top of the harp and mount Lampshade (B) - (included) over the threaded stud. Re-secure the finial to the threaded stud so that the finial holds the lampshade to the harp.
3. Insert a standard 60 WATT (type A) light bulb (not included) or a 13-Watt compact fluorescent bulb (included in box for lamps sold in the state of California) into the socket (D).
4. Connect the electrical plug to a proper outlet and test the lamp function. Note that the plug may include a protective plastic cover – remove this cover before inserting the plug into an outlet.



CAUTION:

This lamp uses a TYPE A 60W bulb (not included) or 13-Watt compact fluorescent bulb (included in box for lamps sold in the state of California). To avoid risk of fire, do not use bulbs that exceed the recommended wattage.

Care Instructions:

Wipe clean using a soft, dry cloth or static duster.
Do not use harsh chemical and abrasive based cleaners.