



Sweets Jwl Ice Crmcne Pink

Assembly instructions

Parts Included:

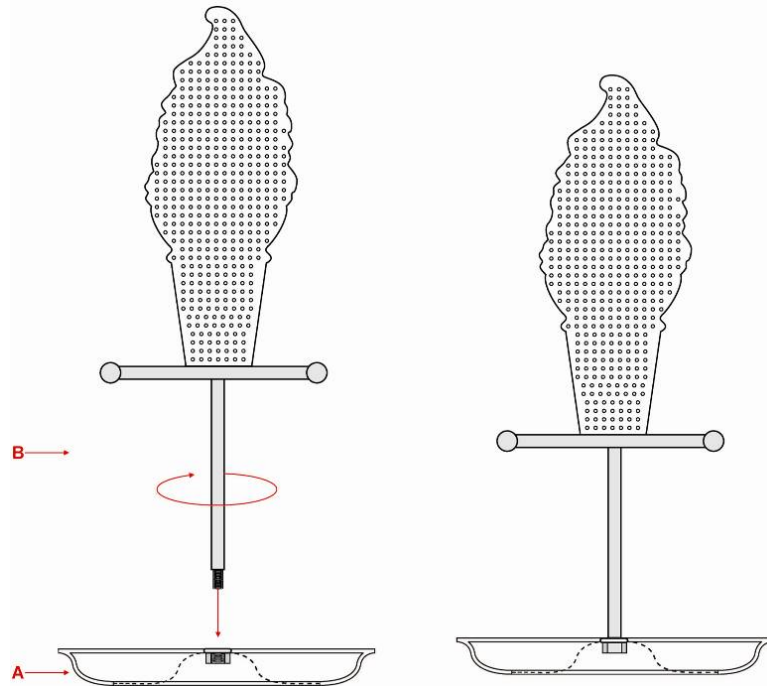
- (A) Base
- (B) Ice Cream Cone (Top part)

Assembly Instructions:

Step 1: Ice cream cone (B) includes one threaded end.

End is sized to fit into a threaded bore of Base (A). Insert this threaded rod end into the threaded bore of Base (A). Rotate the rod clockwise until hand tight.

The product is ready for use.



Care Instructions:

Dust occasionally. If necessary, spot clean using a damp cloth.

Do not use strong chemical or abrasive cleaners!

Thank you for your purchase!