



Oxford Bedside  
Assembly Instruction

Pre-Assembly:

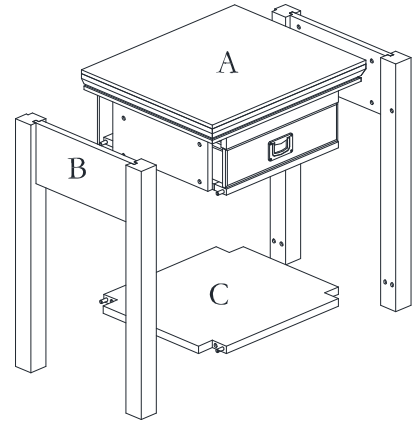
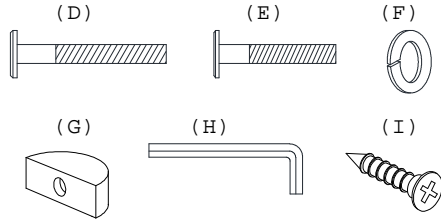
- Please read all instructions before beginning assembly.
- For your safety and convenience, assembly by two adult is recommended.
- Carefully set out and identify all part hardware prior to assembly.
- Save all packing materials until assembly is complete to avoid accidentally discarding small part or hardware.

Parts Enclosed:

- (1) Storage (A)
- (2) Side panel (B)
- (1) Bottom Shelf (C)

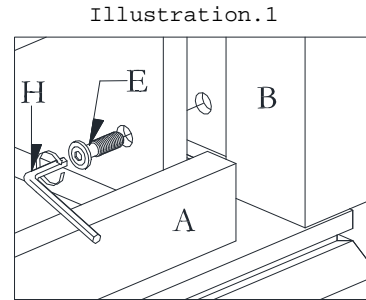
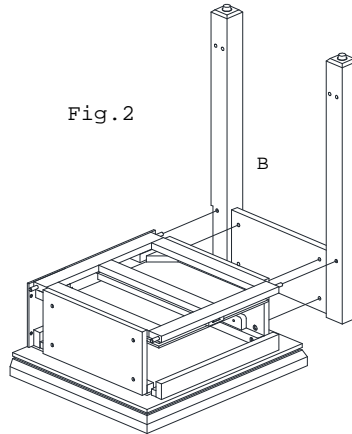
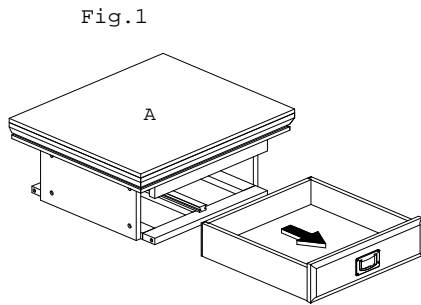
Hardware Enclosed:

- (4) Allen Bolts M6 x 45mm (D)
- (8) Allen Bolts M6 x 25mm (E)
- (4) Spring Washers (F)
- (4) Half Moon Bracket (G)
- (1) Allen Key M4 (H)
- (4) Screw M6 x 3/4" (I)

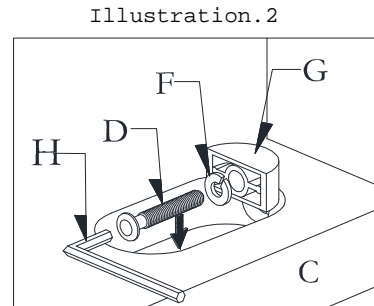
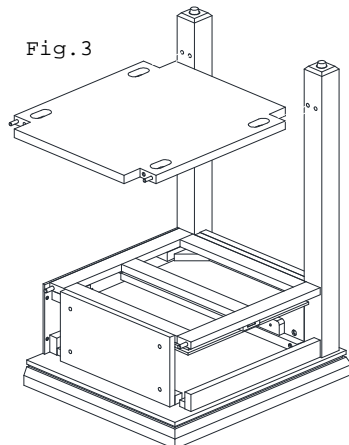


To Assemble:

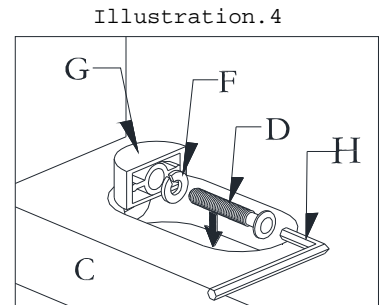
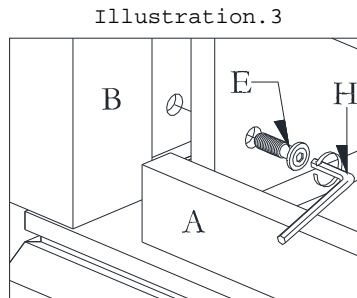
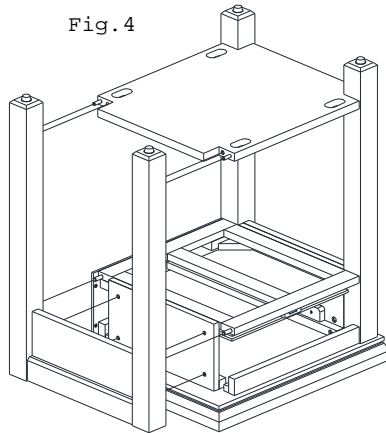
1. Remove the drawer from the storage (A), as shown in figure 1.
2. Carefully lay the storage (A) upside down on a flat scratch-free or carpeted surface. Attach the side panel (B) by aligning wooden dowels on the storage (A) to the holes on the side panel (B). Insert Allen bolts (E) through the holes on the side panels of the storage (A) into the inserts on the side panel (B). Tighten with the Allen key (H) (**Do not over tighten**), as shown in figure 2, illustration 1.



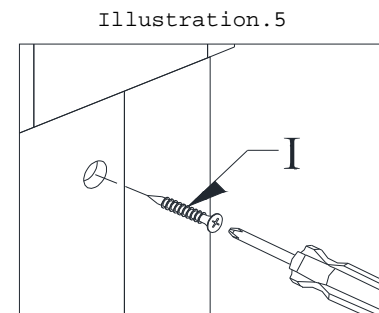
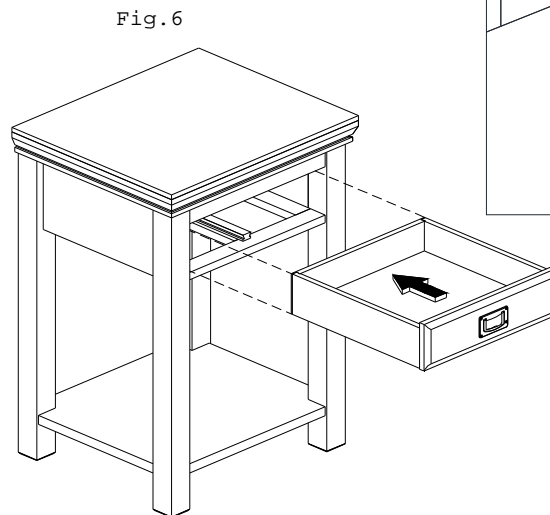
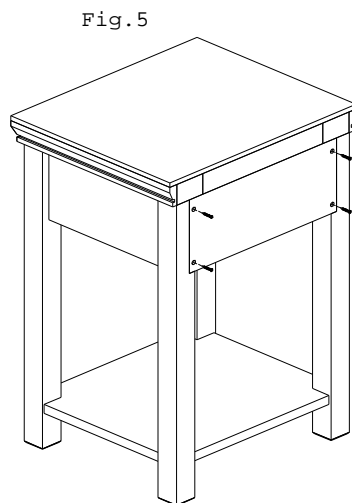
3. Attach the bottom shelf (C) by aligning the dowels on the bottom shelf (C) to the holes on the post. Place half-moon bracket (G), spring washers (F) onto the Allen bolts (D) to the cutout of the bottom panel. Tighten with Allen key (H) as shown in figure 3, illustration 2. (**Do not over tighten**)



4. Attach the other side panel (B) by aligning the holes to the dowels on the storage (A) and the bottom shelf (C). Insert Allen bolts (E) through the holes on the side panels of the storage (A) into the inserts on the side panel (B). Tighten with the Allen key (H) (**Do not over tighten**), as shown in figure 4, illustration 3.
5. Place half-moon bracket (G), spring washers (F) onto the Allen bolts (D) to the cutout of the bottom panel. Tighten with Allen key (H) as shown in figure 4, illustration 4.



6. Tighten all connections.
7. Grip the table firmly and turn upright.
8. Attach the screws (I) into the pre-drilled hole on the back panel of the storage (A). Tighten with a screwdriver (Not included), as shown in figure 5, illustration 5.
9. Put the drawer back to previous position, as shown in figure 6.



Care Instructions:

- Avoid direct sunlight and excessive temperatures.
- Dust often using a clean, soft, dry and lint-free cloth.
- Waxing is not recommended on lacquered finish.
- Please wipe up all spills immediately.

Thank you for your purchase  
stores | catalog | [www.pbteen.com](http://www.pbteen.com)