

GEO CUT OUT SIDE TABLE

Important Safety Instructions:

- Please read all instructions carefully before assembling.
- Keep instructions for future use.

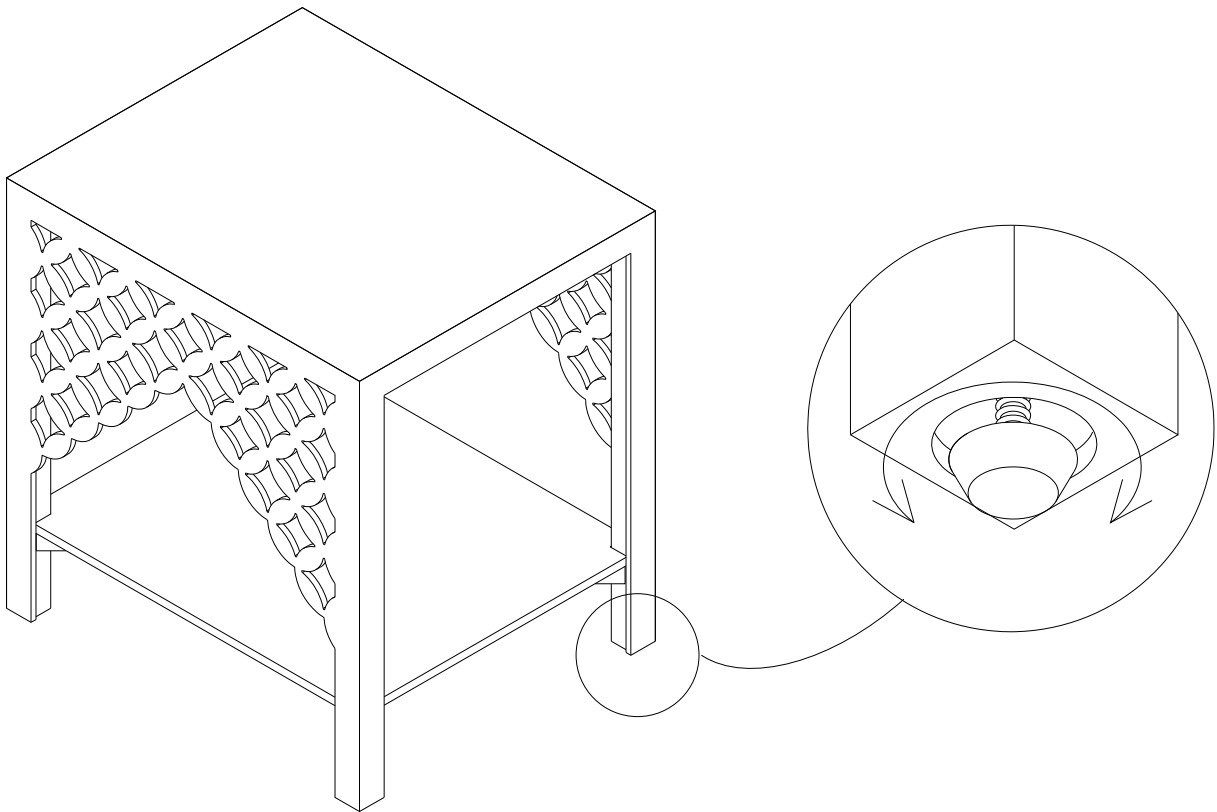
Pre-assembly:

- Do not dispose of any packaging or contents of the shipping carton until assembly is completed to avoid accidentally discarding small parts or hardware.
- The illustrations provided allow for easier assembly when used in conjunction with the assembly instructions.

Adjusting the levelers:

Due to an uneven floor, the furniture may not sit level due causing it to wobble. If the table wobbles, determine which corner does not touch the ground correctly. With two people follow these steps:

- (1) Carefully elevate the item slightly to provide access to the levelers attached to the bottom.
- (2) Turn the levelers until adequate contact will be made with the floor. Gently set down the piece and check stability.
- (3) Repeat steps until furniture sits firmly on the ground.

**Care Instructions:**

- Dust often using a clean, soft, dry and lint-free cloth.
- Blot spills immediately and wipe with a clean, damp, cloth.
- We do not recommend the use of chemical cleansers, abrasives or furniture polish on our lacquered finish.
- Hardware may loosen over time. Periodically check to make sure all connections are tight.
Re-tighten if necessary.

Thank you for your purchase
Stores | catalog