



Colorful Collection Clip Lamp

Assembly Instructions:

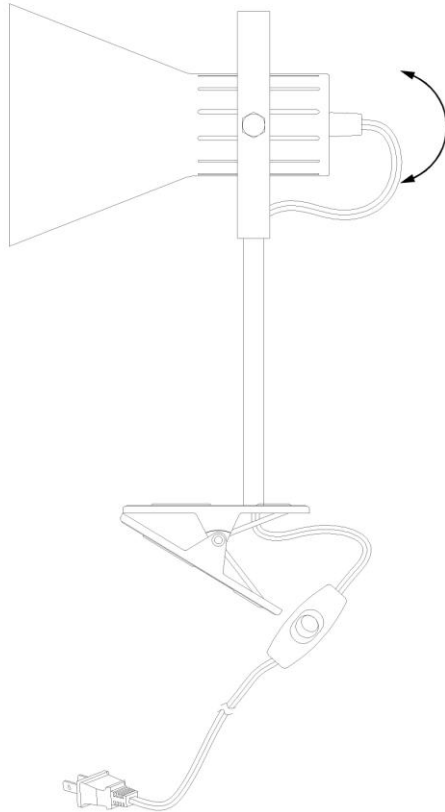
1. Insert a bulb MAXIMUM (TYPE A) 60-watt bulb (not included) or 13-watt compact fluorescent bulb (included in box for lamps sold in the state of California lamps) into the Socket.
2. Plug into the proper electrical outlet and test fixture.

WARNING:

- To reduce the risk of fire, electrical shock or personal injury, always turn off light fixture and unplug, allowing it to cool prior to replacing light bulb.
- Do not touch bulb when fixture is turned on. Do not look directly at lit bulb.
- Keep flammable materials away from lit bulb.

Caution:

This lamp uses a MAXIMUM (TYPE A) 60-watt bulb (not included) or 13-watt compact fluorescent bulb (included in box for lamps sold in the state of California lamps) into the Socket.



Care Instructions:

Wipe clean using a soft, dry cloth or static duster.

Always avoid the use of all chemicals and abrasive cleaners as they may damage the lamp's finish.

Thank you for your purchase.
www.pbteen.com