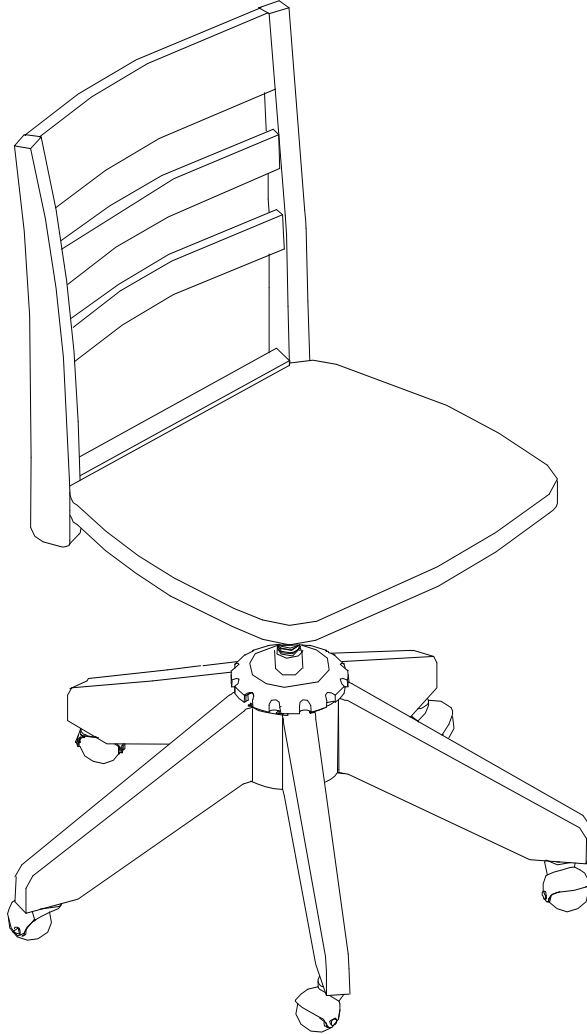
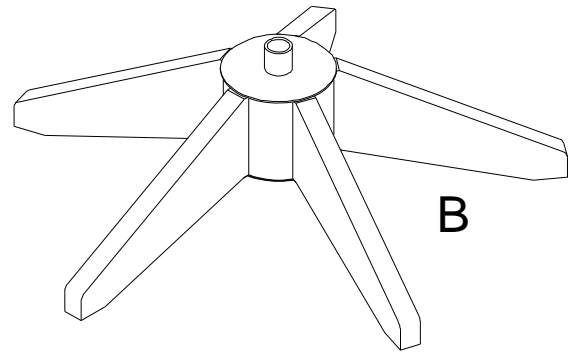
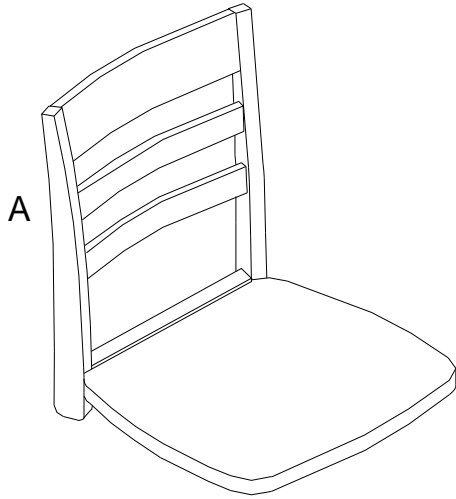


## Wood Swivel Armless Chair



### PRE-ASSEMBLY:

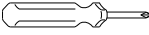
- For your safety and ease, assembly by two adults is recommended.
- Please read all instructions before beginning assembly. The illustrations provided allow for easier assembly when used in conjunction with the assembly instructions.
- Remove all parts and hardware from box and lay out on a carpeted or scratch-free work surface. The shipping box provides an ideal work surface. Do not dispose of any contents until assembly is completed to avoid accidentally discarding small parts or hardware.
- Use the parts and hardware lists to identify and separate each of the pieces included prior to starting assembly.
- Note: DO not fully tighten the bolts until all parts are in place. Failure to follow these instructions may cause the bolts to misalign during assembly.
- Do not use power drill as it may cause cracking.




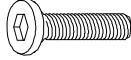
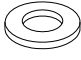

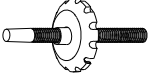
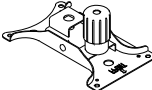

**PARTS LIST**

- A). Chair Seat – 1pc
- B). Chair Base – 1pc

**TOOLS REQUIRED:**

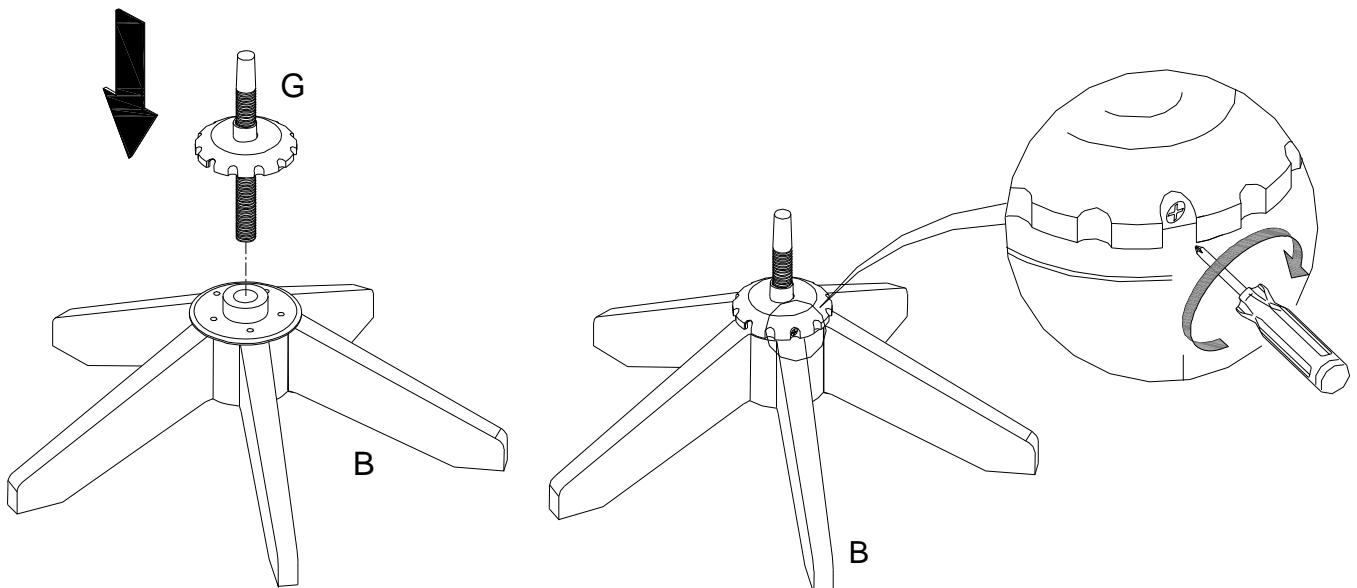
Philips Screwdriver (Not included) 

**HARDWARE LIST**

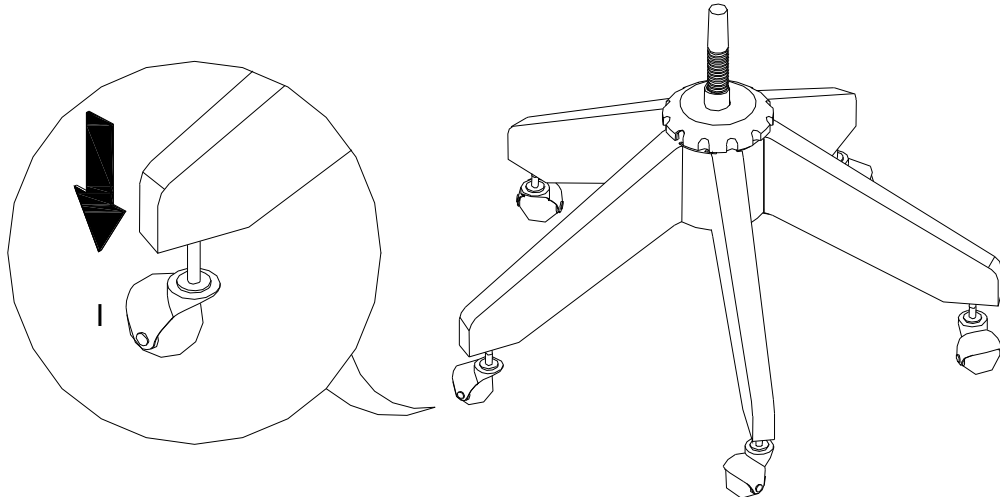
			
(C) Allen Key – 1x	(D) Bolt 1/4" x 16mm – 4x	(E) Flat Washer – 4x	(F) Spring Washer – 4x
			
(G) Cylinder – 1x	(H) Metal Bracket – 1x	(I) Caster – 5pcs	

**ASSEMBLY INSTRUCTIONS:**

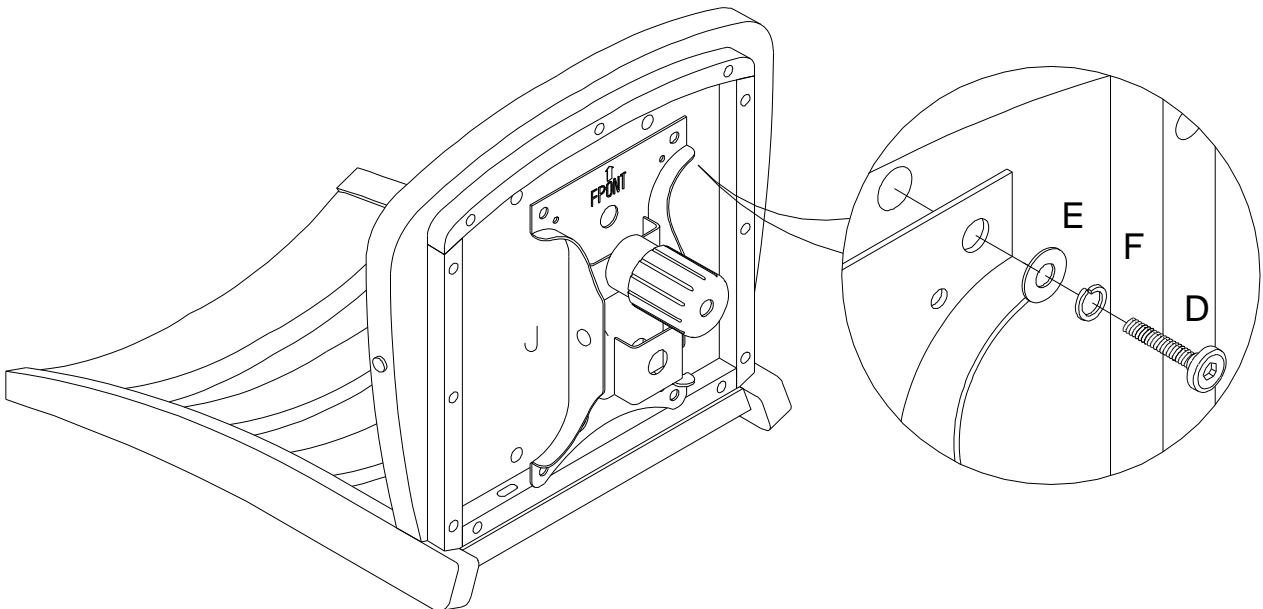
1. Insert Cylinder (G) into tube on Chair Base (B). Locate the Philips Head Screw found inside the black metal cap pre-attached to the cylinder as shown below; tighten with a Philips Head Screw Driver.



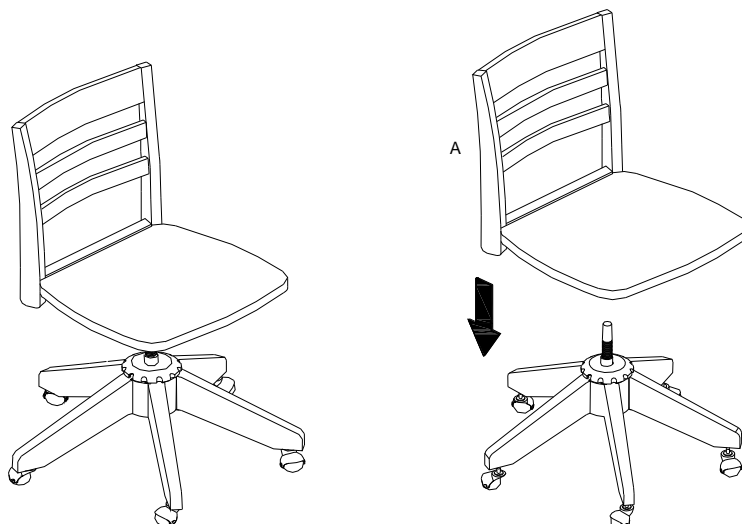
2. Align pin on Caster (I) with hole located at bottom of one of the legs; press down on the leg to secure Caster (I) as firmly as possible into the hole as shown below. Repeat with rest of the Casters (I) one by one.  
Note: Securing casters may require some force or use of a rubber mallet (not included).



3. Place the Chair Seat (A) on its back on a clean, scratch-free surface. Align Metal Bracket (H) to insert nuts located on bottom of the Chair Seat. Slide a Spring Washer (F), Flat Washer (E) onto each Bolt (D). Insert the bolts with washers through pre-drilled holes at corners of the Metal Bracket into insert nuts located on the seat bottom and secured with an Allen Key as shown below.

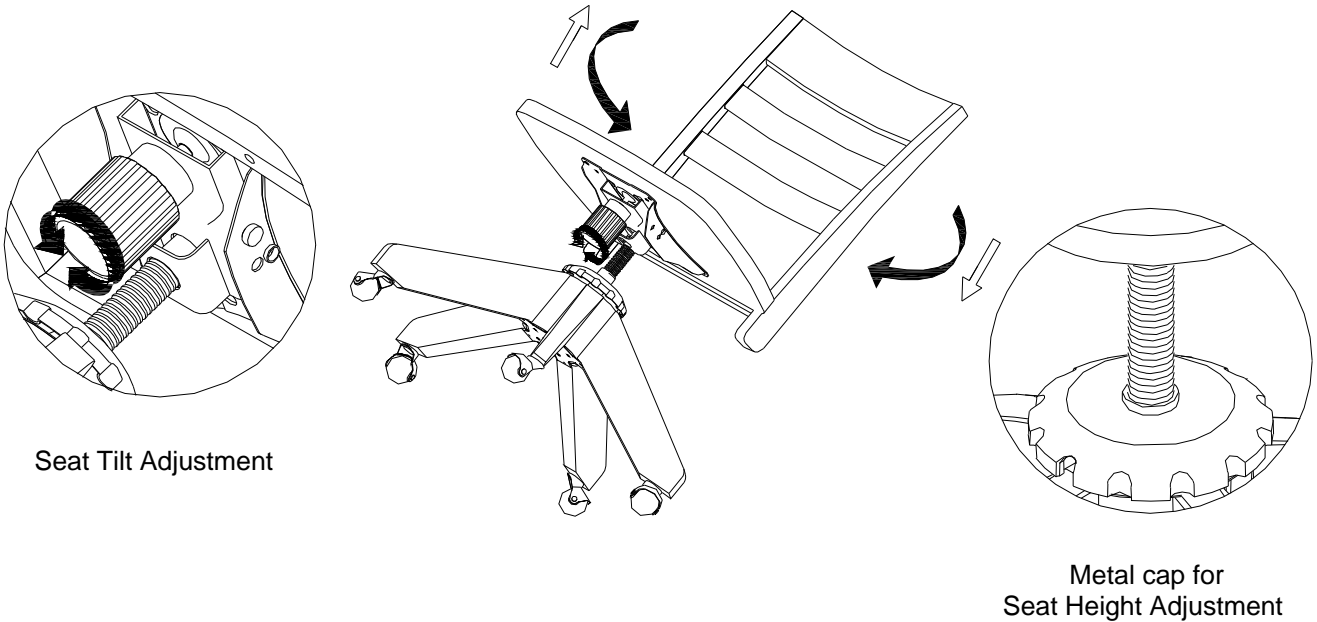


4. To attach Chair Seat (A) to the Chair Base (B), align and connect the hole in center of the Metal Bracket at bottom of the Chair Seat onto the assembled Cylinder (G) on the Chair Base. Firmly apply pressure onto the Chair Seat with both hands to ensure chair slides onto the Cylinder (G).



5. To adjust tilt of the seat, loosen the tilt knob found under the seat by turning in counter-clock wise direction and tilt seat to desired position. Turn tilt knob in clockwise direction to re-tighten.

To adjust height of the seat, loosen the Philip Head Screw inside the black metal cap on Chair Base with a Phillips Head screwdriver. Hold the black metal cap with one hand while turning the Chair Seat (A) in a counter-clockwise direction to raise or a clockwise direction to lower. Once the seat reaches desired level, re-tighten the Phillips head Screw inside the black metal cap.



**CARE INSTRUCTIONS:**

- Dust with a clean, soft cloth.
- Avoid the use of chemicals and harsh cleaning agents.