



Industrial Wall Light

Note: For safe mounting, it is essential to use the proper hardware for your wall type. The hardware included is meant for drywall or wood stud mounting only. If walls are concrete, brick or plastic, please consult your local hardware store for assistance. Mount to wood studs whenever possible.

Parts Included:

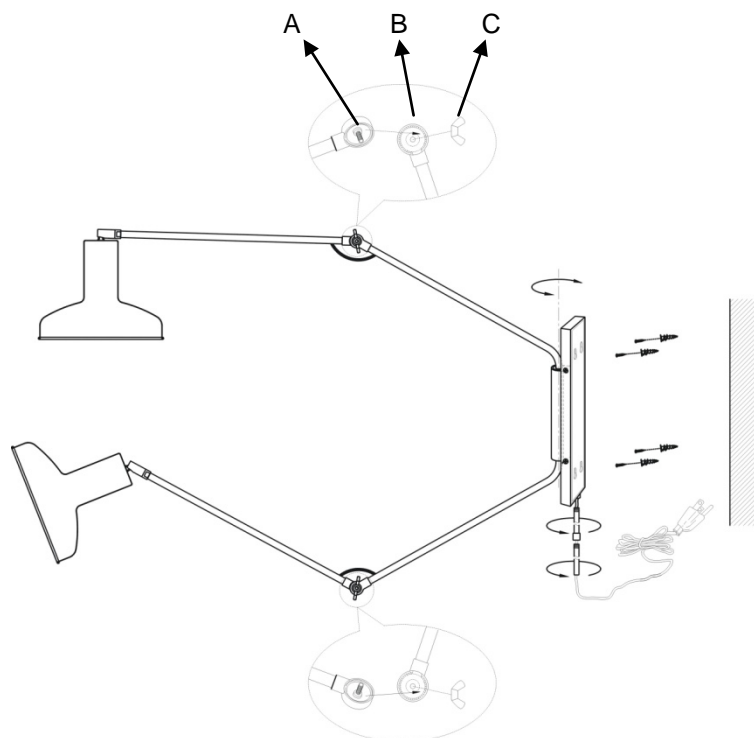
- (4) Dry Wall Anchors
- (4) Toggle Screws
- (1) Mounting Template

Tools Required (not included):

- Phillips head screwdriver
- Level
- Pencil

Mounting Instructions:

1. Take out all of the parts carefully and place them on a soft surface.
2. Take off the butterfly nuts (C) from the screws in each arm and then attach the stop part (A) onto the stop part (B). Fix these parts together with a butterfly nut for each arm.
3. Hold the mounting plate at the desired location. With a pencil, mark on the wall the screw hole location. These marks will be used to determine the location of your light.
4. Remove the mounting plate from wall. Use a carpenter's level or else measure up from the floor at each mark to ensure the mounting plate will be level.
5. Use a Phillips screwdriver to insert the wall anchors. Slowly turn the anchors until they are threaded into the wall.
6. Insert the toggle screws with Phillips screwdriver, leaving a 4mm-gap so that the light can be attached on the toggle screws.



Care Instructions:

- Wipe with a soft, dry cloth.
- To protect the finish, do not use household cleaners or abrasives.

Thank you for your purchase.
www.pbteen.com