

CURVED LOUNGE CHAIR

Important Safety Instructions:

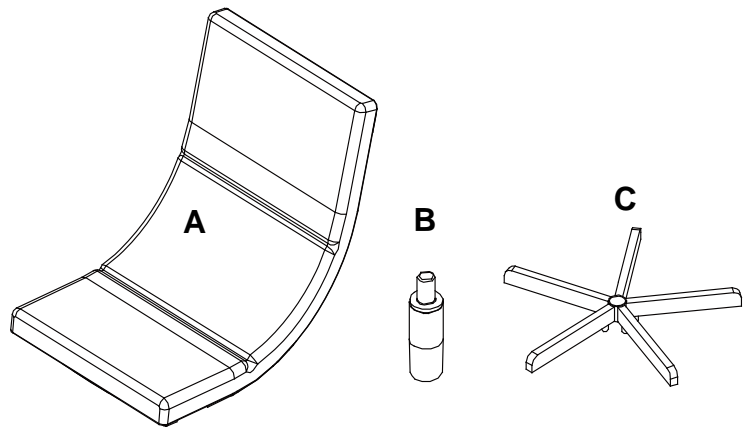
- Please read all instructions carefully before assembling.
- For your safety, assembly by two or more adults is strongly recommended.
- Keep instructions for future use.
- Use only vendor supplied hardware to assemble. Using unauthorized hardware could jeopardize the structural integrity of the item.

Pre-assembly:

- Remove all parts and hardware from the box and lay out on a clear carpeted or scratch-free work surface, as this will avoid damaging parts during assembly. The shipping box provides an ideal work surface.
- Do not dispose of any packaging or contents of the shipping carton until assembly is completed to avoid accidentally discarding small parts or hardware.
- Use the parts and hardware lists below to identify and separate each of the pieces included.
- The illustrations provided allow for easier assembly when used in conjunction with the assembly instructions.
- The use of power tools to aid in assembly is not recommended. Power tools can damage hardware and split wood.

Parts Included:

- | | |
|-------------|----|
| (A) Cushion | 1x |
| (B) Post | 1x |
| (C) Base | 1x |



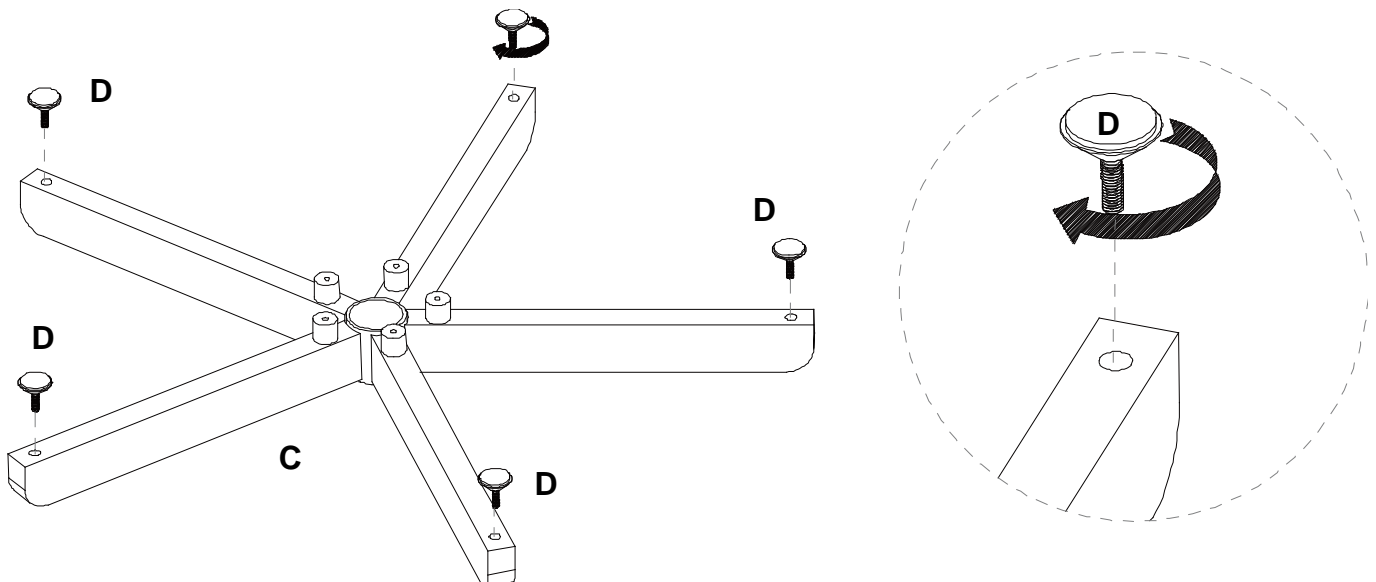
Hardware Included:

- | | |
|------------------------|----|
| (D) Adjustable Leveler | 5x |
|------------------------|----|

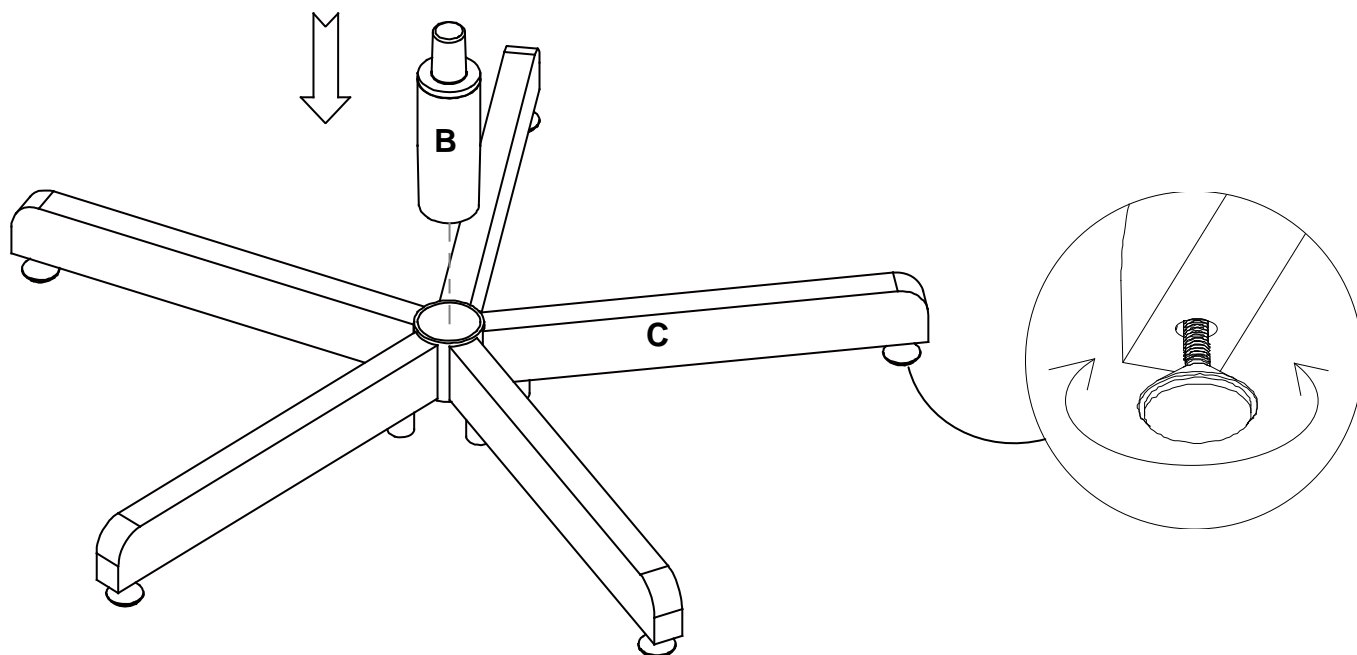


Assembly Instruction Steps:

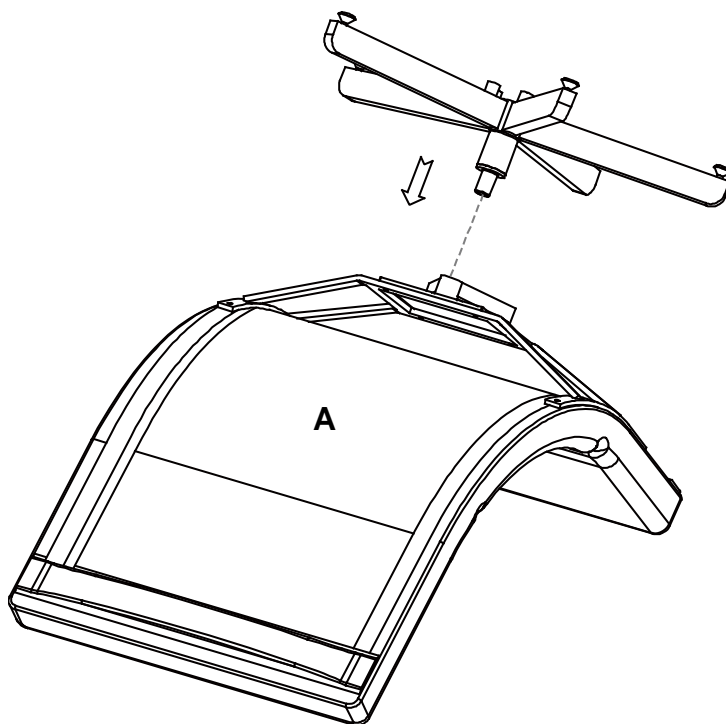
1. Screw the Adjustable Levelers (D) into bottom of Base (C) as shown.



2. Insert Post (B) into Base (C) by pressing firmly. Adjustable levelers are installed to accommodate uneven flooring. To adjust these levelers, simply turn them clockwise to up or counterclockwise to down.



3. Insert Base assembly to bottom of top Cushion (A) by pressing firmly. Turn the chair upright, assembly is complete



Care Instructions:

- Dust often using a clean, soft, dry and lint-free cloth.
- Blot spills immediately and wipe with a clean, damp, cloth.
- We do not recommend the use of chemical cleansers, abrasives or furniture polish on our lacquered finish.
- Hardware may loosen over time. Periodically check to make sure all connections are tight.
Re-tighten if necessary.

Thank you for your purchase
Stores | catalog
www.pbteen.com