

ADDISON CAMELBACK HEADBOARD

Important Safety Instructions:

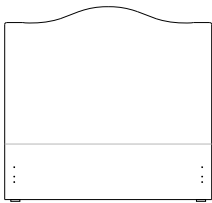
- Please read all instructions carefully before assembling.
- For your safety, assembly by two or more adults is strongly recommended.
- Keep instructions for future use.
- Use only vendor supplied hardware to assemble. Using unauthorized hardware could jeopardize the structural integrity of the item.

Pre-assembly:

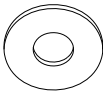
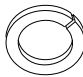
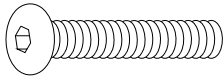
- Do not dispose of any packaging or contents of the shipping carton until assembly is completed to avoid accidentally discarding small parts or hardware.
- Use the parts and hardware lists below to identify and separate each of the pieces included.
- The illustrations provided allow for easier assembly when used in conjunction with the assembly instructions.
- The use of power tools to aid in assembly is not recommended. Power tools can damage hardware and split wood.

Parts Included:

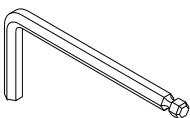
(A) Headboard 1x



Hardware Included:

(a) Flat Washer  6x	(b) Spring Washer  6x	(c) Short Bolt  Dia. 5/16" x 3- 3/4" 6x
---	---	--

Tools Required (included):



(I) Allen Key 100mmL

Needed For Assembly:

Pre-assembled metal bed frame **(not included)**

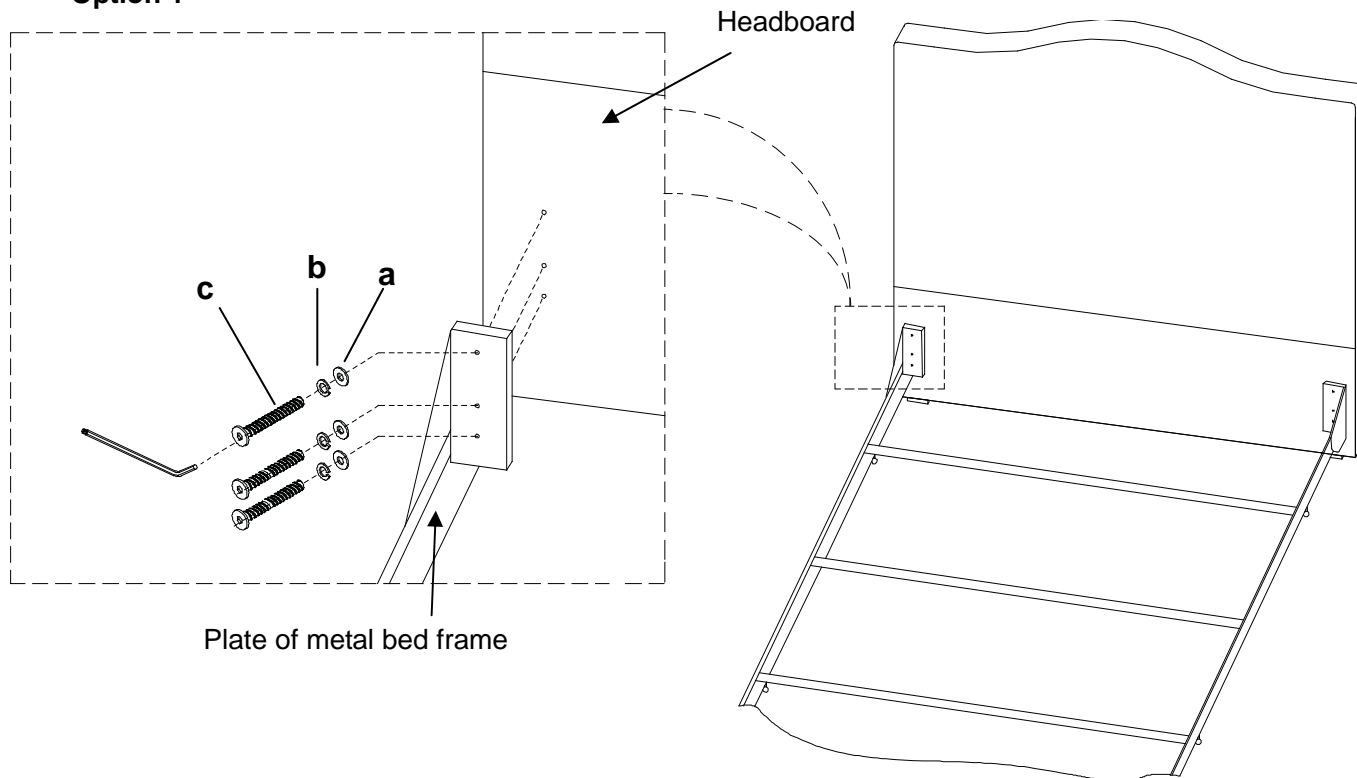
Assembly Instruction Steps:

1. Determine the desired location of bed. One person holds the headboard (A) in a vertical position.
2. **Option 1:** Attach the metal bed frame to the headboard (A) aligning the holes on the plates of metal bed frame with the pre-drilled hole on each side of headboard. Insert the bolt (c) through spring washer (b), flat washer (a) and the plate of metal bed frame to the pre-drilled holes on headboard. Securely tighten the bolt (c) with Allen wrench, but do not over tighten the bolts. **(See Option 1)**

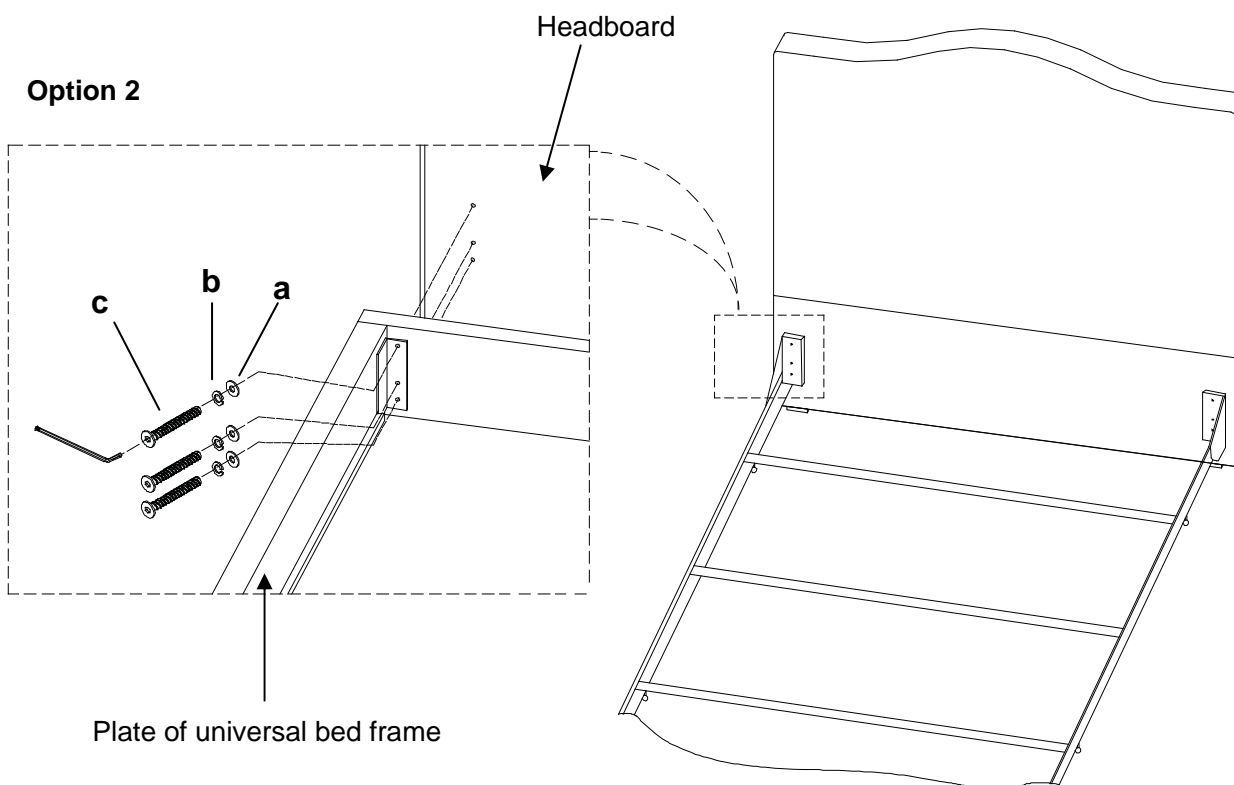
Option 2: Attach the universal bed frame to the headboard (A) aligning the holes on the plates of universal bed frame with the pre-drilled hole on each side of headboard. Insert the bolt (c) through spring washer (b), flat washer (a) and the plate of universal bed frame to the pre-drilled holes on headboard. Securely tighten the bolt (c) with Allen wrench, but do not over tighten the bolts. **(See Option 2)**

3. Assembly is now complete.

Option 1



Option 2



Care Instructions:

- Keep your furniture looking new by avoiding direct heat and sunlight. Dust lightly and vacuum weekly. Fabric can be spot cleaned with mild soapy water. For more thorough cleaning professional upholstery cleaning is recommended.

Thank you for your purchase
Stores | catalog