



## Romantic Sphere Chandelier

### IMPORTANT SAFETY INSTRUCTIONS:

- These instructions are provided for your safety .It is very important that they are read carefully and before beginning the installation of this lighting fixture.
- THIS PRODUCT MUST BE INSTALLED IN ACCORDANCE WITH THE APPLICABLE INSTALLATION CODES BY A PERSON FAMILIAR WITH THE CONSTRUCTION AND OPERATION OF THE PRODUCT AND THE HAZARDS INVOLVED.
- We strongly recommend that a professional electrical install all direct wire fixtures.
- This fixture has been rated for up to (3) 60-watt maximum Type B candelabra bulb (not included). To avoid the risk of fire, do not exceed the recommended lamp bulb wattage.
- The lighting fixture is meant for indoor use, DRY LOCATIONS ONLY. It must be connected only to 3-wire, single-phase electrical supply systems (provided with Ground wire or equivalent protection system).

### WARNING:

- To reduce the risk of fire, electrical shock or personal injury, always turn off the light fixture and allow it to cool prior to replacing the light bulb.**
- Do not touch the bulb when the fixture is turned on. Do not look directly at the lit bulb.**
- Keep flammable materials away from the lit bulb.**

WARNING: This lighting fixture contains lead, a chemical known to the State of California to cause cancer, birth defects and other reproductive harm. Wash hands after installing, handling, cleaning or otherwise touching this light fixture

### Summary of the Installation

Chandeliers are secured to and powered by an electrical junction box. The junction box is secured to the support structure of the ceiling and is designed to receive a cross-bar that provides direct support to the chandelier chain. Electrical connections between the house power supply and the wiring to the chandelier are made and later contained within this junction box.

Before installing the new chandelier, you have to remove the existing one, if there is one. To do this, we recommend the following:

- 1) Always work with another person.
- 2) Always TURN OFF the power to the chandelier at the service box.
- 3) Always CONFIRM that the power is turned off before starting the installation.
- 4) Try to install the chandelier during daylight hours to take advantage of the convenient sunlight. Otherwise, plan to set up work lights using extension cords powered from another room or circuit. Avoid using only flashlights as your source of light.

- 5) Remove the existing chandelier or light fixture by first removing any bulbs located on the fixture. Carefully set these aside. Use appropriate tools to mechanically and electrically disconnect the fixture from the junction box. Inspect the wiring located in the junction box. Use wire cutters to clean-cut the ends (if necessary) and strip the insulation from the ends so that about 3/4" inch of clean straight bare copper wire is exposed; and
- 6) Use a screwdriver to remove any crossbar that is fastened to the junction box.

**Now that the old fixture has been removed, let's install the new one...**

**Unpack the Parts:**

1. Carefully unpack all fixture parts and hardware and lay out on a clear workspace.

**Parts Enclosed:**

- (1) 1/4" Lock washer (a)
- (1) 1/4" Hex nut (b)
- (1) Green ground screw (c)
- (3) Plastic wire connectors (d) (includes 1 extra piece)
- (1) Crossbar (e)
- (1) Short Threaded Tube (f)
- (4) Mounting screws (g) (includes 2 extra pieces)
- (1) Hanging loop (h)
- (1) 12' Chain (i)
- (1) Canopy (j)
- (1) 1/4" Canopy Nut (k)

**TOOLS REQUIRED (not included):**

- Pliers
- Wire strippers
- Wire cutters
- Electrical tape

**Hardware included:**

- (1) Fixture loop (m)
- (1) Light fixture (n)
- (132) Crystals (o) (include 12 extra pieces)

**Confirm that the Power is Turned OFF:**

2. Make sure that the power to the chandelier junction box is TURNED OFF at the main electrical supply (the service box) by switching off the circuit breaker or fuse to the appropriate circuit. Do not touch the wiring until you confirm that the power is off. Then reconfirm.

**Determine the Length of the Chain and Cut the Cord**

3. This chandelier / pendant includes more than enough electrical cord for most ceilings. With the help of another person, determine the desired height of the chandelier and use this measurement to mark the corresponding length of chain and electrical cord. If the chain is too long, you can easily adjust the length by separating any of the chain links. We recommend that you adjust the chain to the proper desired length before cutting the electrical cord.

- a) To remove links from the chain: Each chain link includes a split. Use two pairs of pliers to gently bend the link so that the split in the link is widened (use a cloth or folded piece of paper between the pliers and the link to protect the finish of the link

during bending). Once the link is “opened”, you can remove the link from the chain and adjust the length of the overall chain length. Hold the end of the chain supporting the chandelier up to the ceiling next to the junction box to confirm that the chandelier will hang at the desired height. If not, add or remove links until it does.

b) Once the chain is at the proper length and you are happy with the height of the chandelier, use this measurement to determine the length of the cord. The cord as measured from the top of the chandelier should equal the cut length of the chain PLUS about ONE FOOT. The electrical cord should be no less than ONE FOOT longer than the length of the chain. Use wire cutters to cut the cord and discard the remaining cord and chain.

**Assembly:**

4. If not already separated, remove the Canopy Nut (k) and the Canopy (j) from the links of chain and set them aside.
5. If the parts are not already preassembled, attach the short threaded tube (f) into the threaded bore of the hanging loop (h) and rotate the tube clockwise until it is tightly engaged within the hanging loop. If the threaded tube (f) is not yet secured to crossbar (e) do so now so that a portion of the threaded tube extends beyond the crossbar.
6. Position the lock washer (a) and then the hex nut (b) onto the extended portion of the threaded tube and tighten the hex nut (b) until tight using a hex wrench or a pair of pliers so that the hanging loop (h) is now firmly secured to the middle of the crossbar (e).

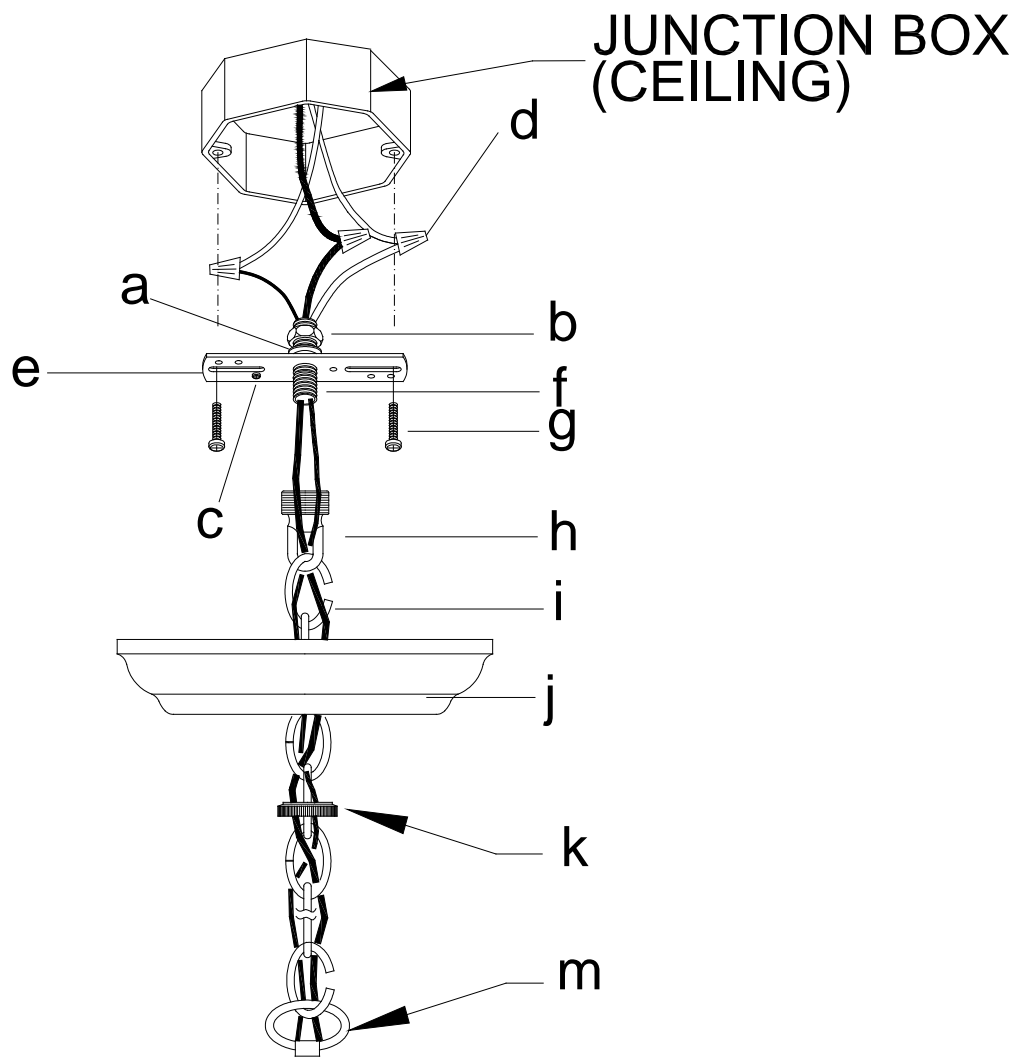


Fig.1

7. Using pliers open one end link chain (i), and then connect the chain to the hanging loop (h) (note: using a soft cloth between the pliers and chain will prevent potential damage to the chain's finish).
8. Close the chain link around hanging loop (h).
9. Slip the canopy (j) over the open end of chain (i) making sure the finished side of the canopy is facing the floor. Also slip the canopy nut (k) onto the chain after the canopy.

10. Using pliers open the opposite end of the chain (i) and attach the open link to the fixture loop (m). Close the chain link around fixture loop (m) so that the chain is now connected to the crossbar (e) at one end and the chandelier at the other.
11. Lace the fixture wires through alternating chain links from the chandelier all the way up through the opening of the canopy nut and the canopy to the hanging loop (h).
12. Feed the fixture wires through the bottom opening of hanging loop (h), and then through the hollow threaded tube (f) and pull the wires until taut.
13. Use wire cutters to cut the wire so that now only about 8 inches extends beyond the hollow threaded tube (f).

#### **Attach the Cross Bar Assembly to the Junction Box**

14. Determine which 2 of the 4 mounting screws (g) fit your junction box properly. Note that if neither screw fits, you will have to obtain the proper size screws from the hardware store. Each of the two screws fits into one of the two long slots located at either end of the crossbar and then into one of the two threaded tabs located at opposing corners of the junction box. Position the cross bar so that the hanging loop (h) hangs down and then use the screws and a screwdriver to secure the crossbar to the junction box. Tighten the screws with a Phillips screwdriver.

#### **Wiring the fixture within the junction box:**

15. Gently pull the wiring down from the junction box. Separate the wires and allow them to hang free. Use the wire strippers to cut about  $\frac{3}{4}$ " of insulation from each wire.
16. Carefully inspect the chandelier's fixture wires. The NEUTRAL FIXTURE WIRE has very fine ridges molded into its plastic covering. The HOT FIXTURE WIRE has a smooth covering. The bare copper wire is the GROUND WIRE.
17. Attach the GROUND WIRE from the fixture to the GROUND JUNCTION BOX WIRE from the outlet box (usually green or bare wire). Hold the bare ends of the wires to be connected next to each other and insert both ends into a provided plastic wire-connector. Rotate the connector clockwise while firmly holding the wires so that both wires twist about each other within the connector and become secured to each other. As a precautionary measure, wrap the entire connection with electrical tape. Be sure that no wire strands are exposed.

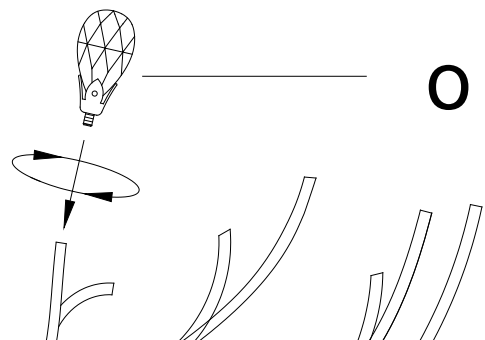
NOTE: If your outlet box **DOES NOT** have a GROUND WIRE, be sure to insert the green ground screw (c) into the crossbar (e) facing DOWN, and wrap the fixture's bare ground wire around the ground screw and use a screwdriver to tighten the screw so that the

ground wire becomes firmly attached to the crossbar. **IT IS IMPERATIVE THAT THE OUTLET BOX IN YOUR HOME BE PROPERLY GROUNDED!**

18. Connect the NEUTRAL FIXTURE WIRE to the NEUTRAL JUNCTION BOX WIRE (usually white). As before, hold the bare ends of the wires to be connected next to each other and insert both ends into a provided plastic wire-connector. Rotate the connector clockwise so that both wires twist about each other within the connector and become secured to each other. Wrap the entire connection with electrical tape.
19. Connect the HOT FIXTURE WIRE to the HOT JUNCTION BOX WIRE (usually black). As before, hold the bare ends of the wires to be connected next to each other and insert both ends into a provided plastic wire-connector. Rotate the connector clockwise so that both wires twist about each other within the connector and become secured to each other. Wrap the entire connection with electrical tape. **DO NOT REVERSE THE HOT AND NEUTRAL CONNECTIONS OR SAFETY WILL BE COMPROMISED!**
20. Gently tuck the wire connections neatly into the ceiling junction box on either side of the cross bar.
21. Slide the canopy (j) along the chain so that the central opening is received by the threaded portion of the hanging loop (h). The hanging loop should be hanging below the canopy and the upper rim of the canopy should be pressing gently against the ceiling surface, covering the junction box. While holding the canopy firmly in place, position the canopy nut against the hanging loop and rotate the nut clockwise to engage it with the threaded portion of the hanging loop. Do not over tighten this nut. Finger tight should be sufficient to hold the canopy firmly in place.

**Attaching the Crystals:**

22. Thread crystals (o) onto the end of each branch of light fixture (n). Refer to the diagram.



**Install a Bulb and Turn the Power Back ON:**

23. Install a TYPE B candelabra bulb (not included) into each socket (60 watts Max Total).
24. Restore power to junction box and test the operation of the fixture.
25. Assembly is complete.

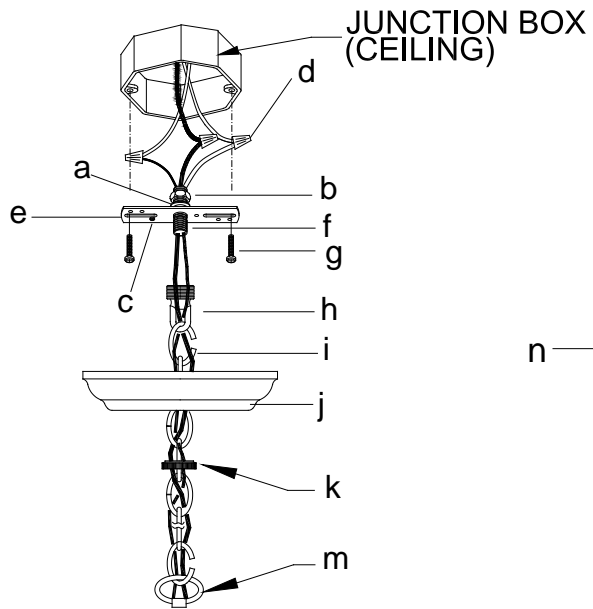


Fig.1

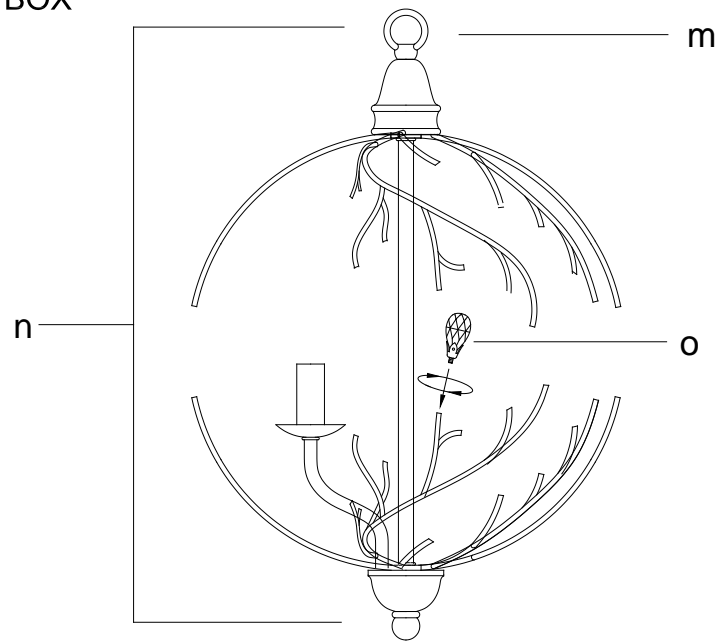


Fig.2

Care Instructions:

- Wipe clean with a soft, dry or slightly damp cloth
- Always avoid the use of harsh chemicals and abrasives as they may damage the finish.

Thank you for your purchase.

[www.pbteen.com](http://www.pbteen.com)