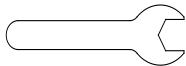




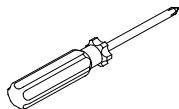
Emerson Full Bed Assembly Instructions

- Please read all instructions before beginning assembly.
- For your safety and convenience, assembly by three people is recommended.
- Remove all parts and hardware from packaging and identify by comparing to lists below. Do not discard any contents until assembly is complete to avoid discarding any parts or hardware.

TOOLS:



(1) Open spanner

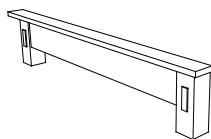


Phillips screwdriver (not included)

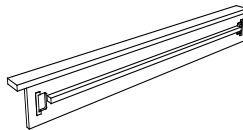
PARTS:



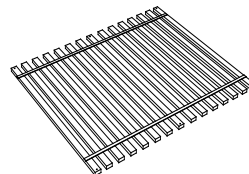
(1) Headboard -A



(1) Footboard- B



(2) Side rail - C



(1) Slat roll- D

HARDWARE:



(8) Bolt (05/16" x 3.5") -E



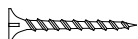
(8) Nut (05/16") -F



(8) Spring Washer (05/16") - G



(8) Flat Washers (05/16") -H



(6) Wood screw (03/16 x 1" L) -I

Assembly Instructions:

1. Carefully lay headboard (A) and side rail (B) on a carpet or scratch-free surface.
2. Turn bolts (E) into the threaded holes on metal plate of headboard (A). Align the bolts with the holes on end of side rail (C), let the bolts pass through the holes of side rail, followed with flat washer (H), spring washer (G), nut (F), tighten by open spanner provided. Repeat this process with another side rail (C). **Fig. 1**

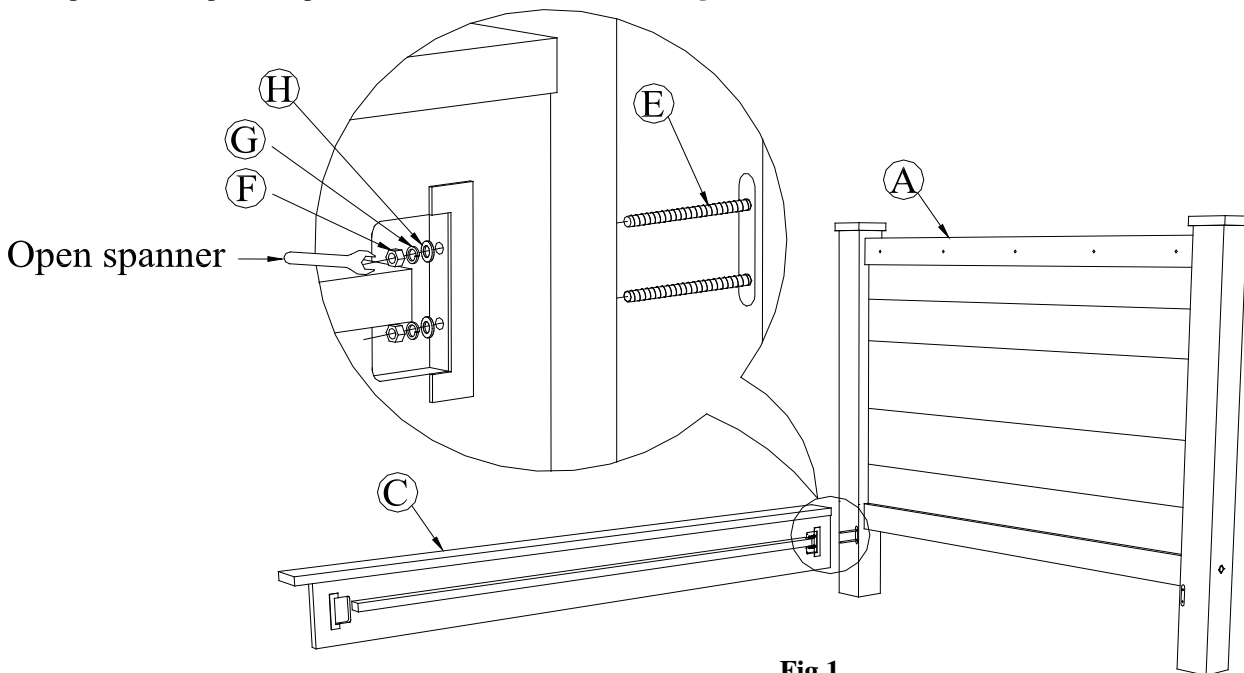


Fig.1

3. Turn bolts (E) into the threaded holes on metal plate of footboard (B). Keep the same procedure of set up the headboard (A) for footboard (B). **Fig 2.**

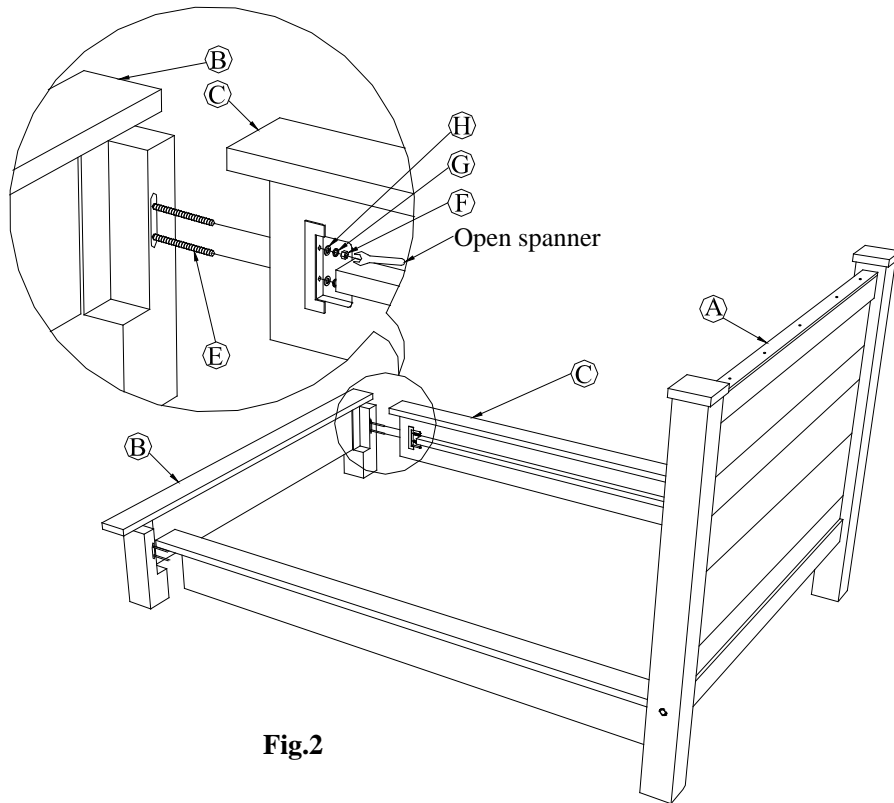


Fig.2

4. Lay slat roll (D) in place over side rail supports. Attach by inserting the wood screws (I) through pre-drilled holes on the end slats of slat roll (D) and tightening with Phillips screwdriver (not included). **Fig. 3**

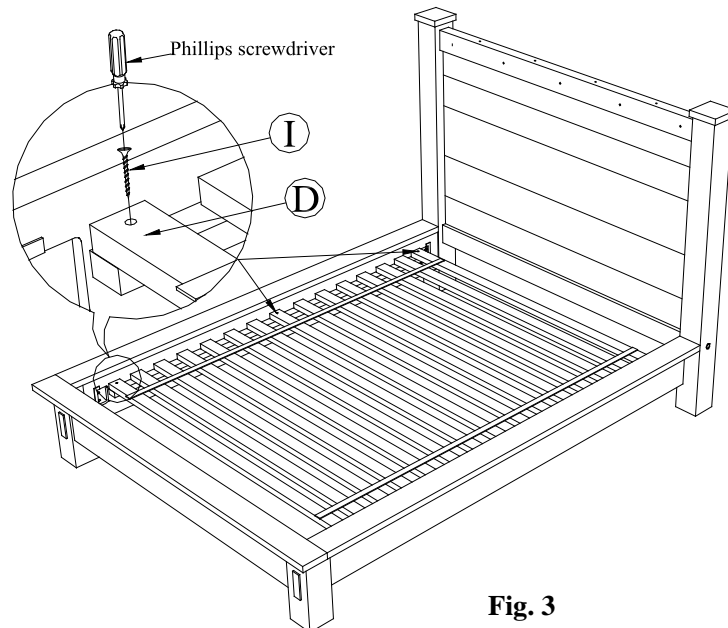


Fig. 3

5. Assembly is complete.

Adjusting Levelers:

Due to an uneven floor, the furniture may not sit level, causing it to wobble. If the piece wobbles, determine which corner does not touch the ground correctly. With three people follow these steps:

1. Carefully lift the item slightly to provide access to the levelers attached to the bottom.
2. Turn the levelers until adequate contact will be made with the floor. Gently set down the piece and check stability.
3. Repeat steps until furniture sits firmly on the ground

Care Instructions:

- Dust with a clean, soft, damp cloth and wipe dry immediately.
- Avoid the use of chemicals and harsh cleaning agents.

Thank you for your purchase.
stores | catalog | www.pbteen.com