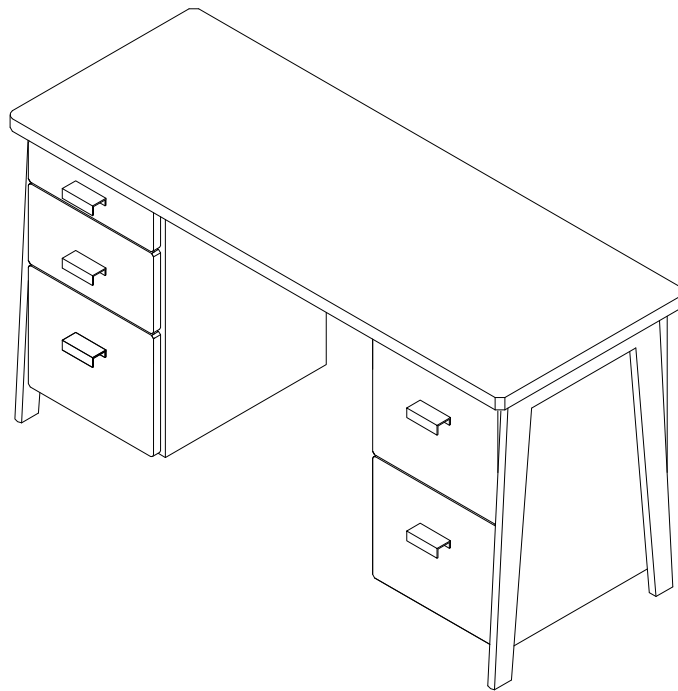




Drawer Cabinets are interchangeable as shown



COOLHOUSE STORAGE DESK

Important Safety Instructions:

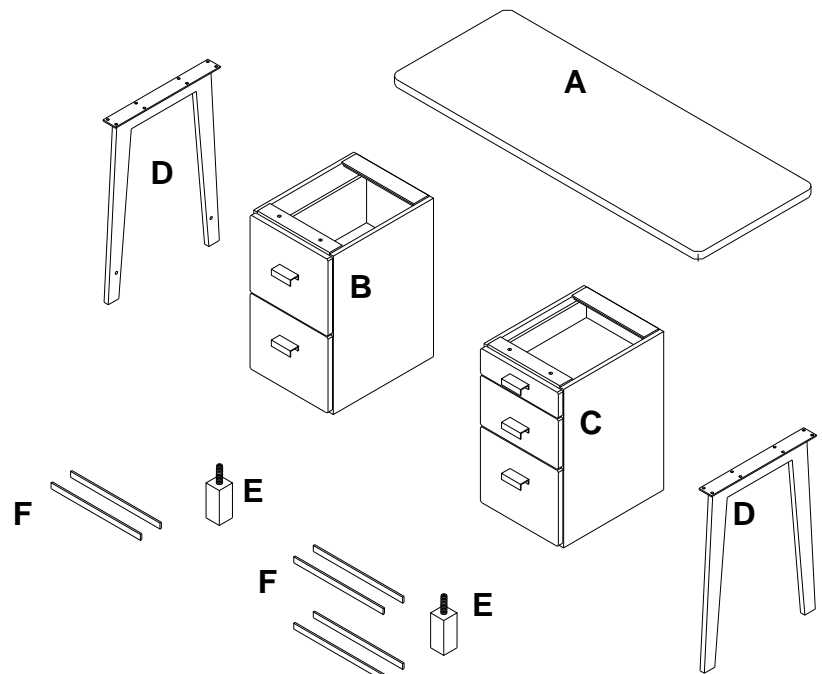
- Please read all instructions carefully before assembling.
- For your safety, assembly by two or more adults is strongly recommended.
- Keep instructions for future use.
- Use only vendor supplied hardware to assemble. Using unauthorized hardware could jeopardize the structural integrity of the item.

Pre-assembly:

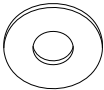
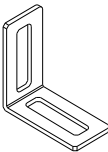
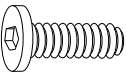
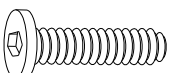
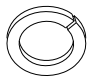
- Remove all parts and hardware from the box and lay out on a clear carpeted or scratch-free work surface, as this will avoid damaging parts during assembly. The shipping box provides an ideal work surface.
- Do not dispose of any packaging or contents of the shipping carton until assembly is completed to avoid accidentally discarding small parts or hardware.
- Use the parts and hardware lists below to identify and separate each of the pieces included.
- The illustrations provided allow for easier assembly when used in conjunction with the assembly instructions.
- The use of power tools to aid in assembly is not recommended. Power tools can damage hardware and split wood.

Parts Included:

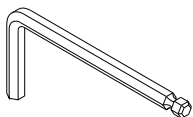
- | | | |
|-----|---------------------------------------|----|
| (A) | Top Panel | 1x |
| (B) | 2 Drawer Cabinet
(interchangeable) | 1x |
| (C) | 3 Drawer Cabinet
(interchangeable) | 1x |
| (D) | Iron Frame | 2x |
| (E) | Foot | 2x |
| (F) | File Hanger | 6x |



Hardware Included:

(G) Flat Washer  8 x	(H) Metal supporter  4 x	(I) Short Bolt  Dia. 1/4"x5/8" 8 x	(J) Long Bolt  Dia. 1/4"x1" 20 x	(K) Spring Washer  8 x
------------------------------------------------------------------------------------------------------------------	----------------------------------------------------------------------------------------------------------------------	-----------------------------------------------------------------------------------------------------------------------------------	-----------------------------------------------------------------------------------------------------------------------------------	----------------------------------------------------------------------------------------------------------------------

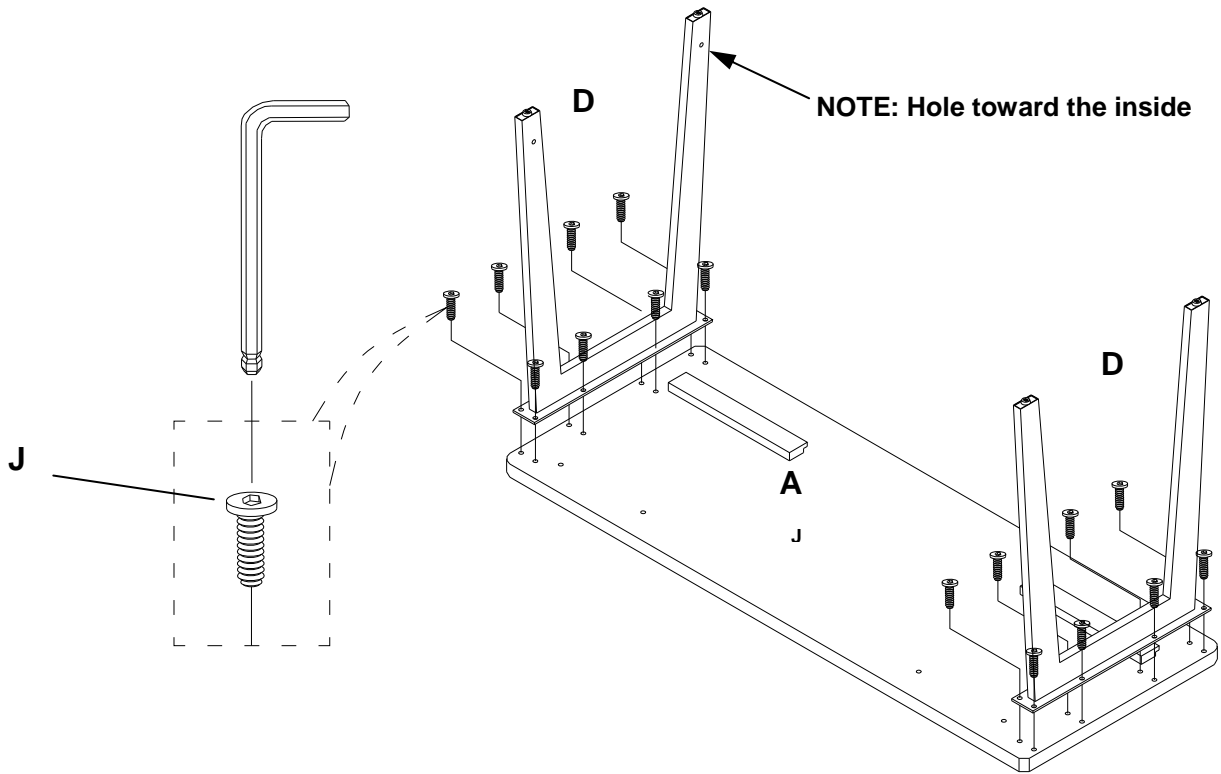
Tools Required (included):



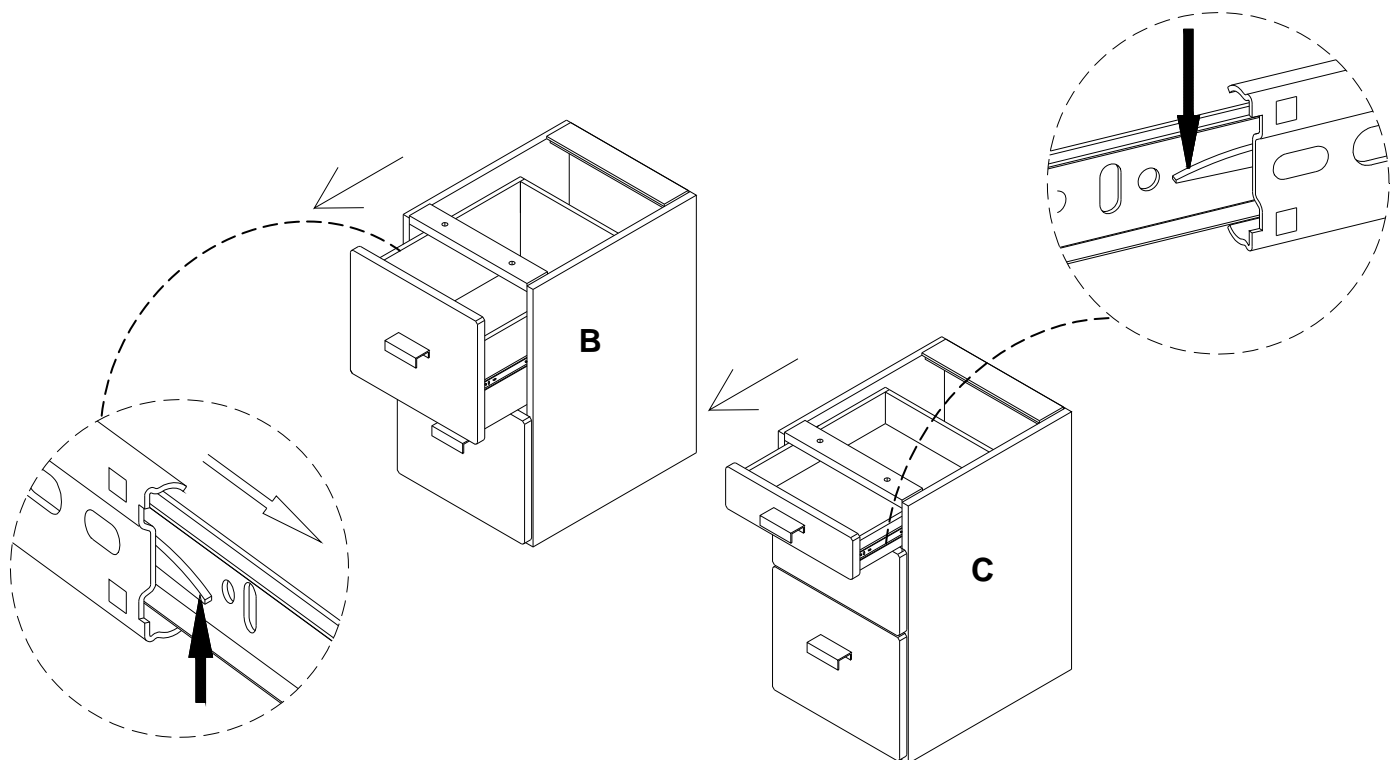
Allen Key 4mm

Assemble Instruction Steps:

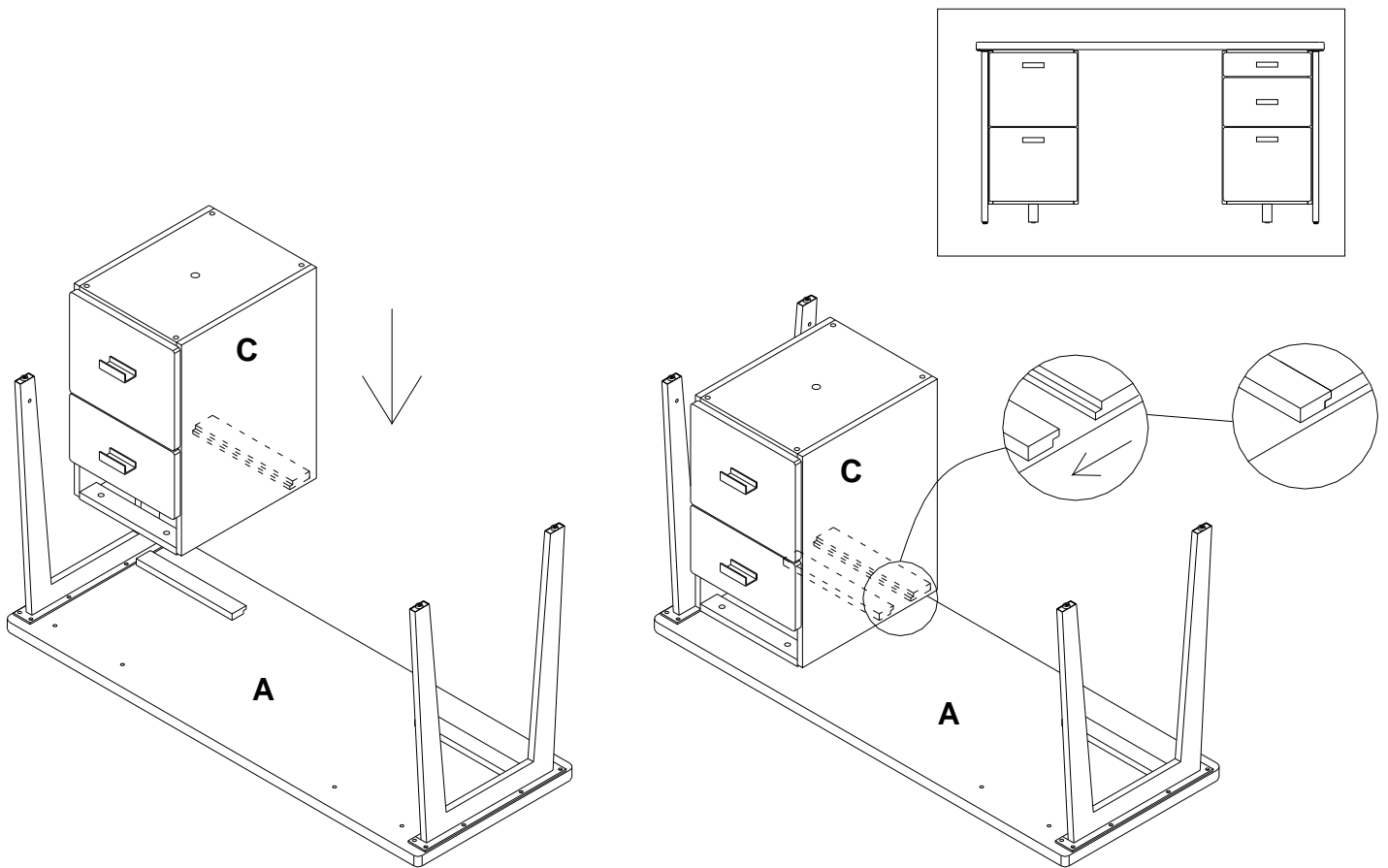
1. Attach the Iron Frame (D) to Top Panel (A) using Bolts (J). Loosely tighten the bolts until all bolts are in place. Once all bolts are in place, fully tighten with Allen Key.



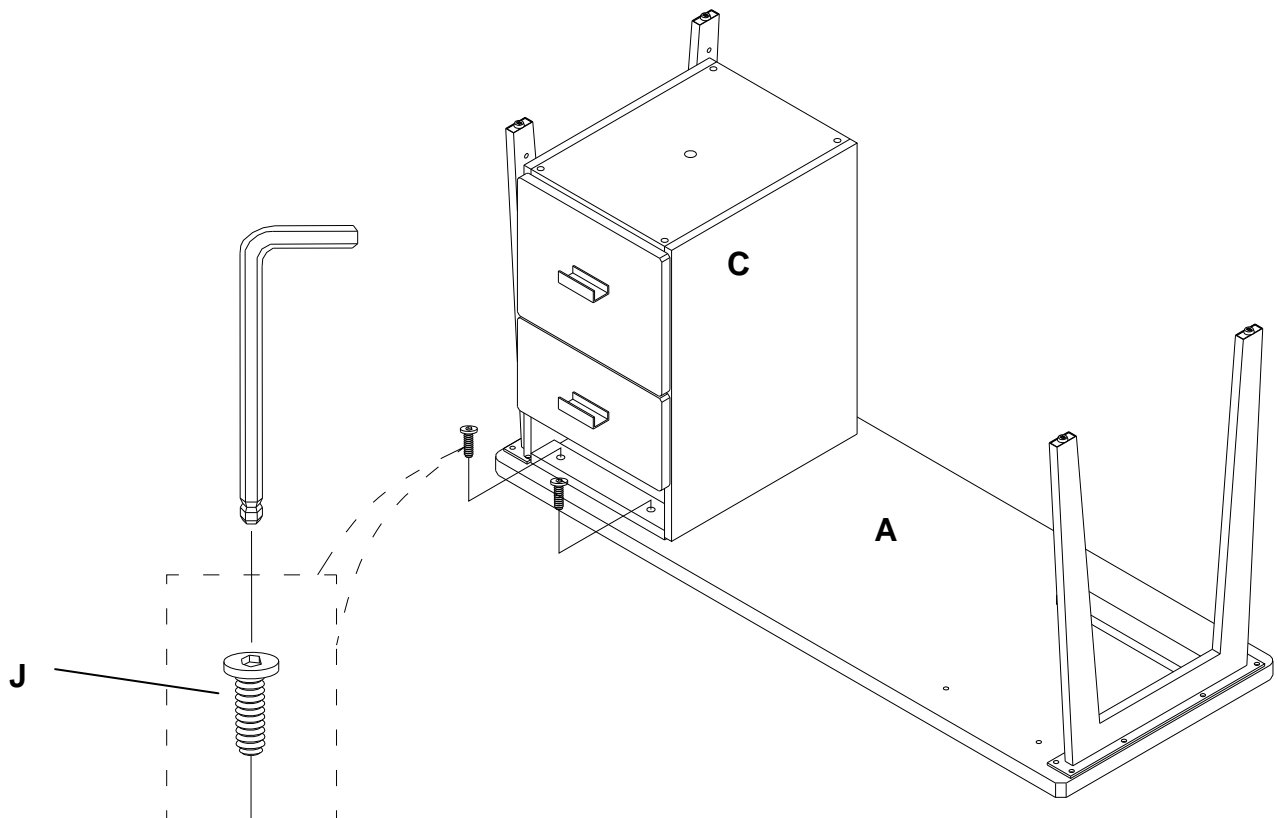
2. Remove the first drawer by pressing the plastic locks on the side drawer slides upwards and downwards as shown while pulling the drawers out.



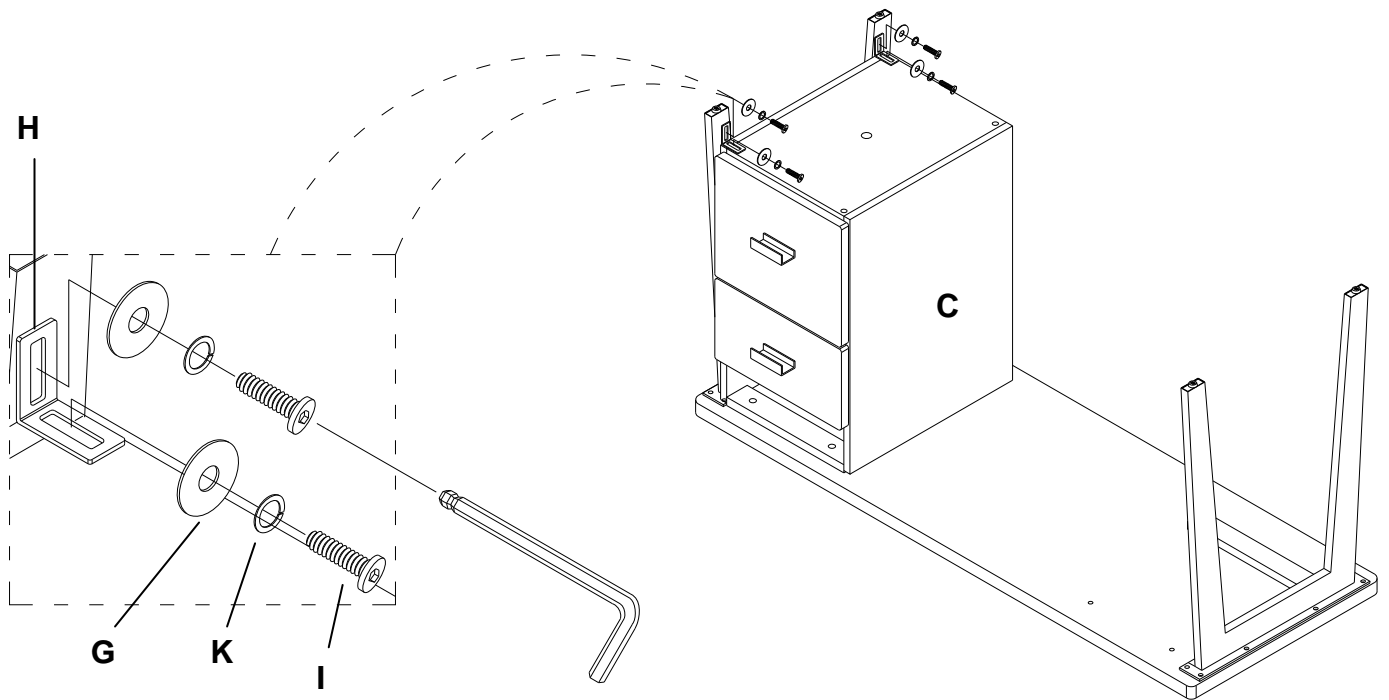
3. Turn Cabinet (C) upside down, and attach the French cleat to the Top Panel cleat (A) as shown below.
Note: The Drawer Cabinet can be mounted on either side as desired. The illustration shows 3 drawers cabinet mounting on Right side.



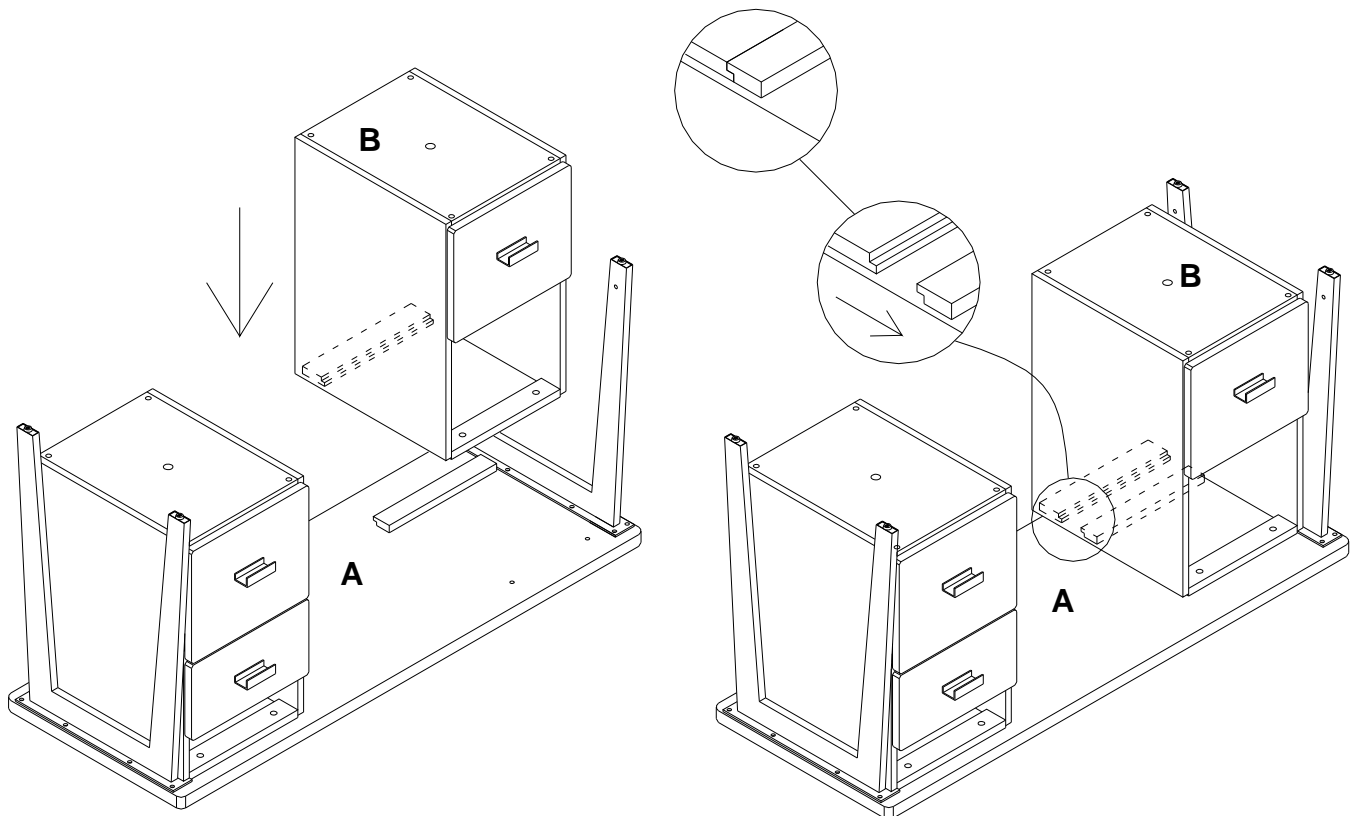
4. Fasten the 3 Drawer Cabinet (C) to Top Panel (A) using Bolt (J). Loosely tighten the bolts until all bolts are in place. Once all bolts are in place, tighten with Allen Key.



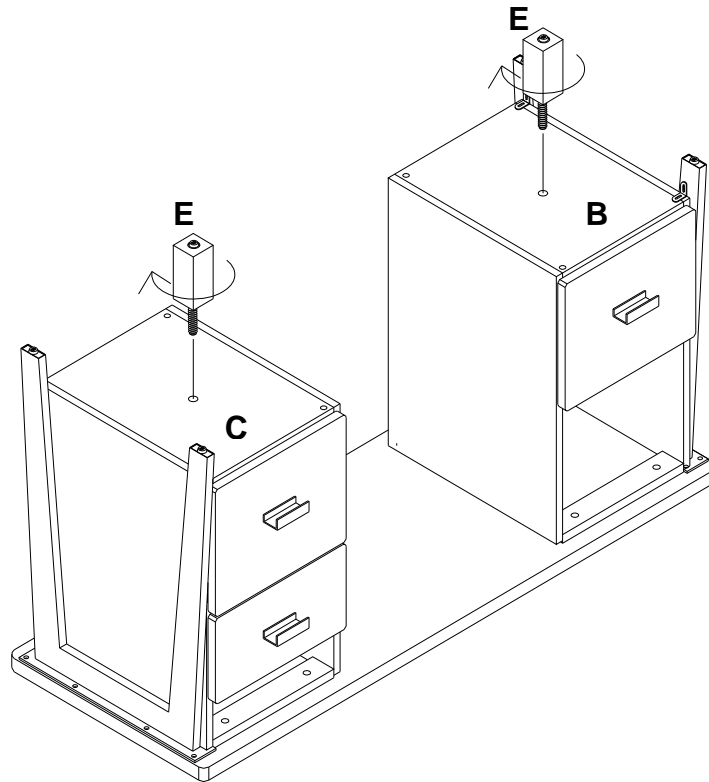
5. Attach the Metal Supporter (H) to Iron Frame (D) and 3 Drawer Cabinet (C) using Bolt (I), Spring Washer (K) and Flat Washer (G). Loosely tighten the bolts.



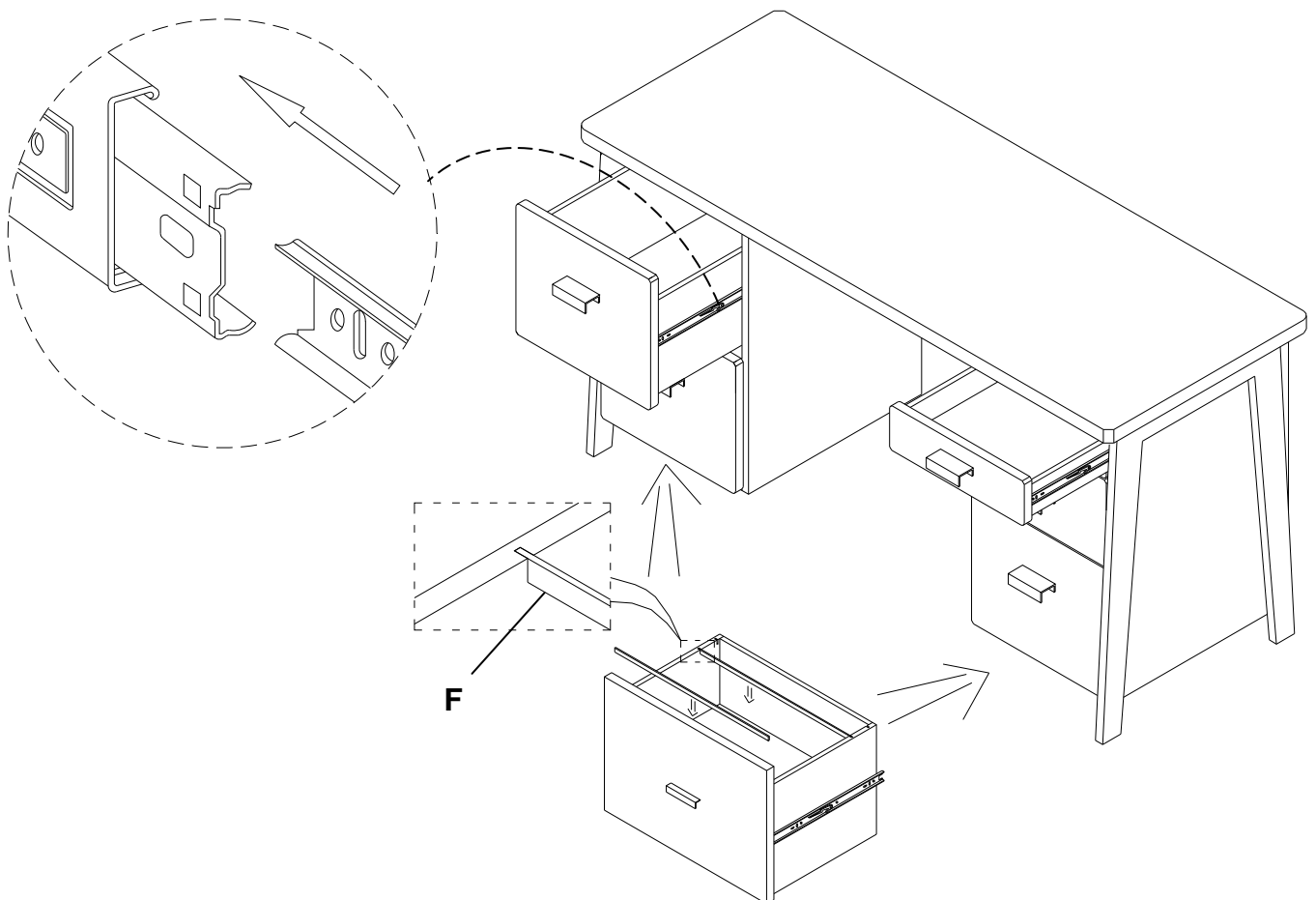
6. Repeat Steps 2-5 to attach the 2 Drawer Cabinet (B).



7. Rotate the threads of Foot (E) to the bottom of cabinets as shown.



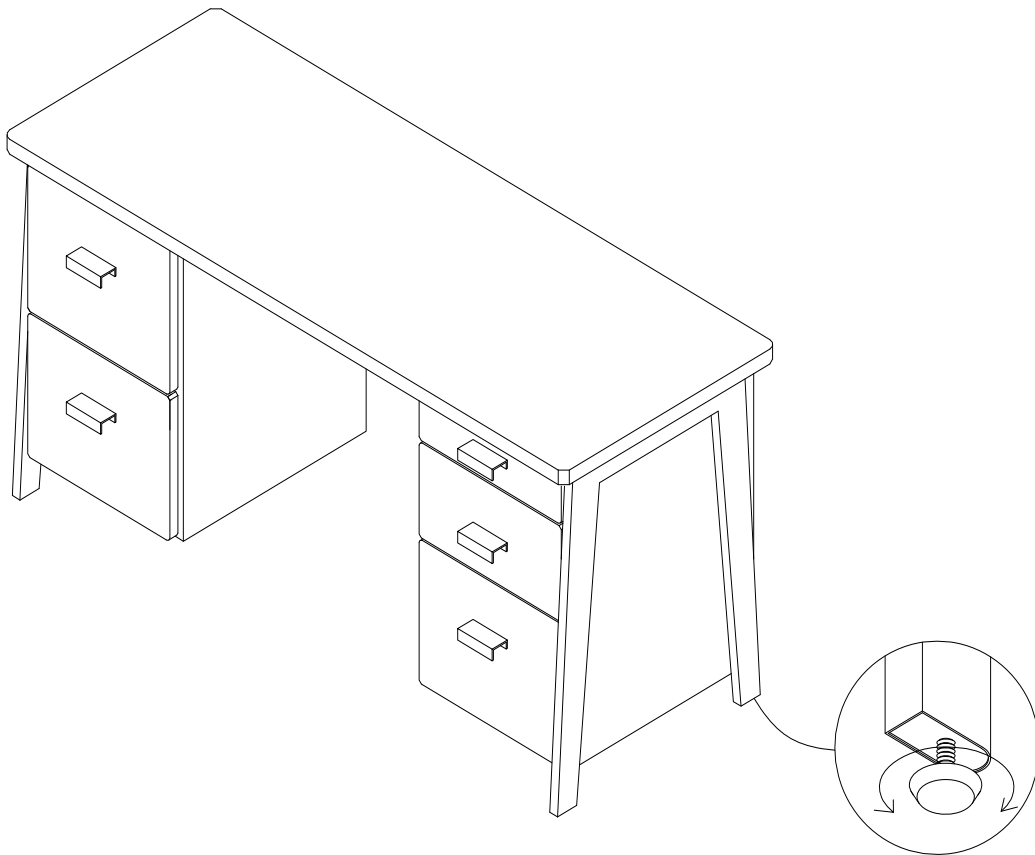
8. Carefully insert the drawers into the cabinet by aligning the slide on drawer side with the slide on cabinet as shown, push drawer into the slide. Push and pull the drawer back and forth a few times until it is locked firmly. Insert File Hangers (F) into the slot in the large drawers.



Adjusting the levelers:

Due to an uneven floor, the furniture may not sit level causing it to wobble. If the furniture wobbles, determine which corner does not touch the ground correctly. With two people follow these steps:

1. Carefully elevate the item slightly to provide access to the levelers attached to the bottom.
2. Turn the levelers until adequate contact is made with the floor. Gently set down the piece and check for stability.
3. Repeat steps until furniture sits firmly on the ground.



Care Instructions:

- Dust often using a clean, soft, dry and lint-free cloth.
- Blot spills immediately and wipe with a clean, damp, cloth.
- We do not recommend the use of chemical cleansers, abrasives or furniture polish on our lacquered finish.
- Hardware may loosen over time. Periodically check to make sure all connections are tight.
Re-tighten if necessary.

Thank you for your purchase
Stores | catalog