



OXFORD BUNK BED TWIN OVER TWIN & FULL OVER FULL

For Bunk Bed Twin Over Twin



WARNING: Failure to follow these warnings and assembly instructions could result in serious injury or death. To help prevent serious or fatal injuries from entrapment or falls:

- Read all instructions before assembling bunk bed.
- Before each usage or assembly, inspect bunk bed for damaged hardware, loose joints, missing parts or sharp edges. DO NOT use bunk bed if any parts are missing or broken.
- DO NOT use substitute parts. Contact PBteen for replacement parts and instructional literature if needed.
- Follow the information on the warnings appearing on the upper bunk end structure and on the carton. DO NOT REMOVE WARNING LABEL FROM BED.
- Always use the recommended size mattress or mattress support, or both, to help prevent the likelihood of entrapment or falls.
- Ensure thickness of mattress does not exceed 9 inches and the surface of mattress must be at least 5 inches (127 mm) below the upper edge of guardrails.
- Use only mattress which is 74"-75" long and 37.5"-38.5" wide on upper bunk.
- Do not allow children under 6 years of age to use the upper bunk.
- Periodically check and ensure that the guardrail, ladder, and other components are in their proper position, free from damage, and that all connectors are tight.
- Do not allow horseplay on or under the bed and prohibit jumping on the bed.
- Prohibit more than one person on the upper bunk.
- Always use the ladder for entering and leaving the upper bunk.
- Use of a night light may provide added safety precaution for a child using the upper bunk.
- Always use guardrails on both long sides of the upper bunk. If the bunk bed will be placed next to the wall, the guardrail that runs the full length of the bed should be placed against the wall to prevent entrapment between the bed and wall.
- The use of water or sleep flotation mattresses is prohibited.
- If refinishing, use a non-toxic finish specified for children's products.

STRANGULATION HAZARD - Never attach or hang items to any part of the bunk bed that are not designed for use with the bed; for example, but not limited to, hooks, belts and jump ropes.
KEEP THESE INSTRUCTIONS FOR FUTURE REFERENCE.

04-000065-3



For Bunk Bed Full Over Full



WARNING: Failure to follow these warnings and assembly instructions could result in serious injury or death. To help prevent serious or fatal injuries from entrapment or falls:

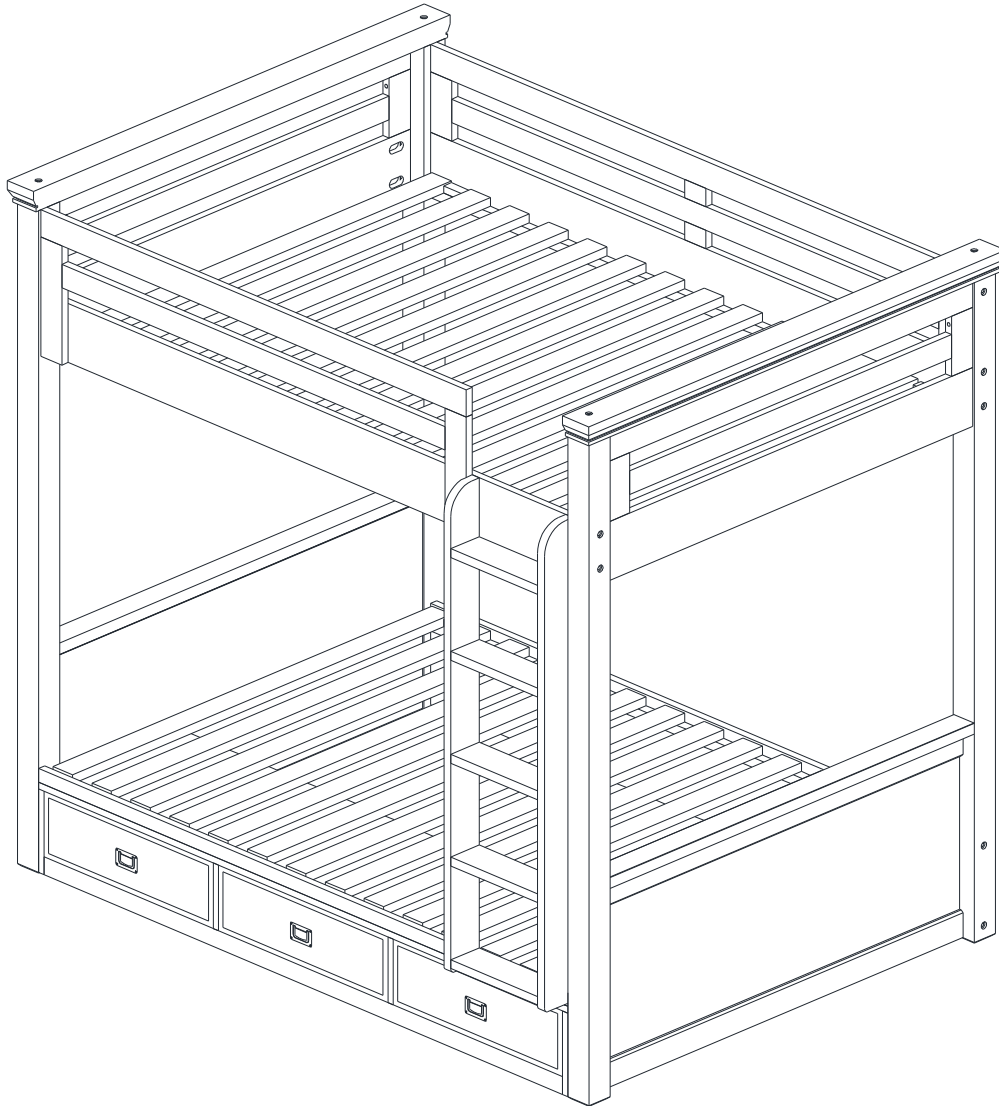
- Read all instructions before assembling bunk bed.
- Before each usage or assembly, inspect bunk bed for damaged hardware, loose joints, missing parts or sharp edges. DO NOT use bunk bed if any parts are missing or broken.
- DO NOT use substitute parts. Contact PBteen for replacement parts and instructional literature if needed.
- Follow the information on the warnings appearing on the upper bunk end structure and on the carton. DO NOT REMOVE WARNING LABEL FROM BED.
- Always use the recommended size mattress or mattress support, or both, to help prevent the likelihood of entrapment or falls.
- Ensure thickness of mattress does not exceed 9 inches and the surface of mattress must be at least 5 inches (127 mm) below the upper edge of guardrails.
- Use only mattress which is 74"-75" long and 52.5"-53.5" wide on upper bunk.
- Do not allow children under 6 years of age to use the upper bunk.
- Periodically check and ensure that the guardrail, ladder, and other components are in their proper position, free from damage, and that all connectors are tight.
- Do not allow horseplay on or under the bed and prohibit jumping on the bed.
- Prohibit more than one person on the upper bunk.
- Always use the ladder for entering and leaving the upper bunk.
- Use of a night light may provide added safety precaution for a child using the upper bunk.
- Always use guardrails on both long sides of the upper bunk. If the bunk bed will be placed next to the wall, the guardrail that runs the full length of the bed should be placed against the wall to prevent entrapment between the bed and wall.
- The use of water or sleep flotation mattresses is prohibited.
- If refinishing, use a non-toxic finish specified for children's products.

STRANGULATION HAZARD - Never attach or hang items to any part of the bunk bed that are not designed for use with the bed; for example, but not limited to, hooks, belts and jump ropes.
KEEP THESE INSTRUCTIONS FOR FUTURE REFERENCE

04-000066-3



OXFORD BUNK BED



PRE-ASSEMBLY:

- For your safety and ease, assembly by two adults is recommended.
- Please read all instructions before beginning assembly. The illustrations provided allow for easier assembly when used in conjunction with the assembly instructions.
- Remove all parts and hardware from box and lay out on a carpeted or scratch-free work surface. The shipping box provides an ideal work surface. Do not dispose of any contents until assembly is completed to avoid accidentally discarding small parts or hardware.
- Use the parts and hardware lists to identify and separate each of the pieces included.
- Note: Do not fully tighten all bolts until all parts are in place. Failure to follow these instructions may cause the bolts to misalign during assembly.
- The use of power tools for assembly is not recommended. Power tools can damage hardware or split wood.

PARTS INCLUDED

Box 1:

1. Upper End Panels (2x)

Box 2:

2. Lower End Panels (2x)

Box 3:

3. Posts (4x)

4. Short Guard rail (1x)

5. Side rail combine with guardrail (1x)

6. Lower side rail (1x)

7. Upper side rail (1x)

Hardware enclosed in box 3.

Box 4:

8. Ladder (1x)

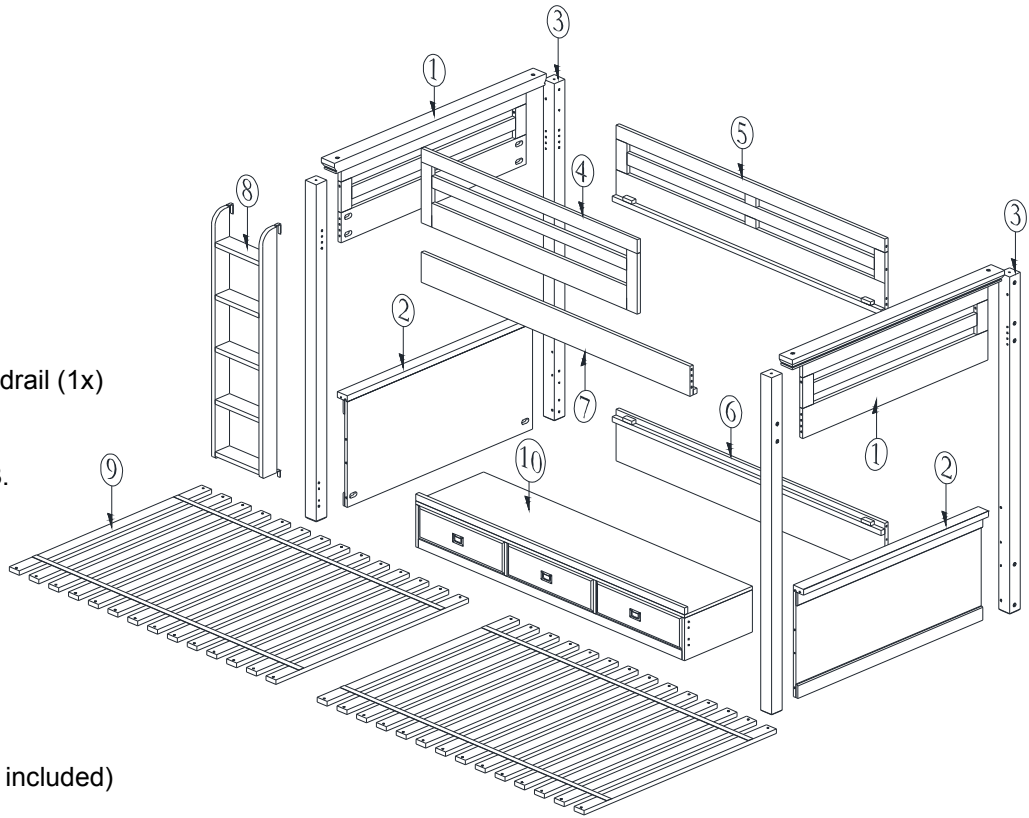
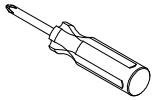
9. Roll Slats (2x)

Box 5:

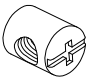
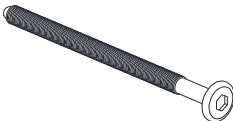

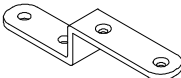
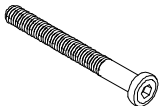

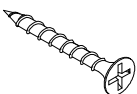
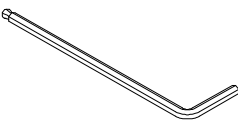
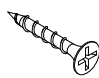
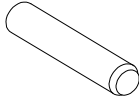
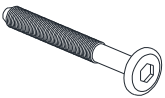
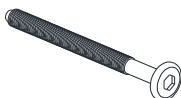
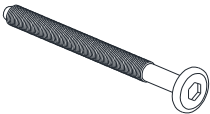
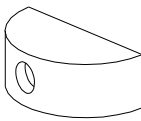
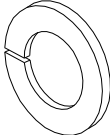
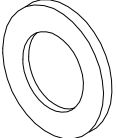
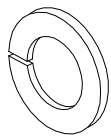
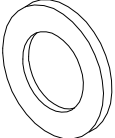
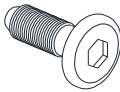
10. Storage (1x)

TOOLS REQUIRED:

Phillips head screwdriver (not included)

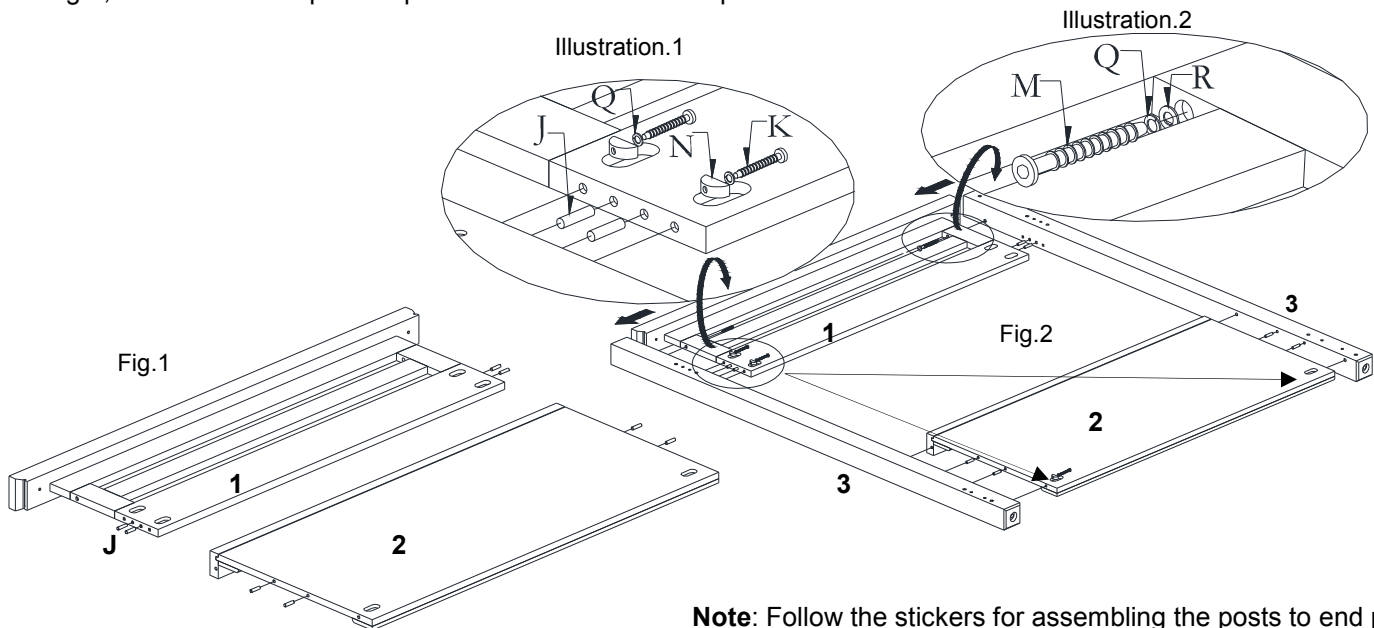


HARDWARE ENCLOSED

(A) Barrel Nut M8 x 18mm - 14 pc	(B) Long Allen Bolt M8x120 mm – 14 pc	(C) Allen Key M5 – 1 pc	(D) Metal Plate – 2 pc	(E) Allen Bolt M8x35 mm - 4 pc
				
(F) Medium Screw M6x3/4" – 8 pc	(G) Long Screws Twin: 8 x 1-1/4" = 56 Pcs Full: 8 x 1-12" = 56 Pcs	(H) Allen Key-M4 -1 pc	(I) Short Screw M6 x 1/2" - 2 Pc	(J) Wooden Dowel M8 x 40 – 34 Pc
				
(K) Allen Bolts M6 x 50mm – 16 pc	(L) Allen Bolts M6 x 70mm – 4 pc	(M) Allen Bolts M6 x 90mm – 4 pc	(N) Half-Moon Brackets – 16 pcs	(O) Spring Washers M8 x 13 – 18pc
				
(P) Flat Washers M8 x 18 – 18 pc	(Q) Spring Washers M6 x 12 – 24 pc	(R) Flat Washers M6 x 16 – 8 pc	(S) Allen Bolts M6 x 20mm - 4 pc	
				

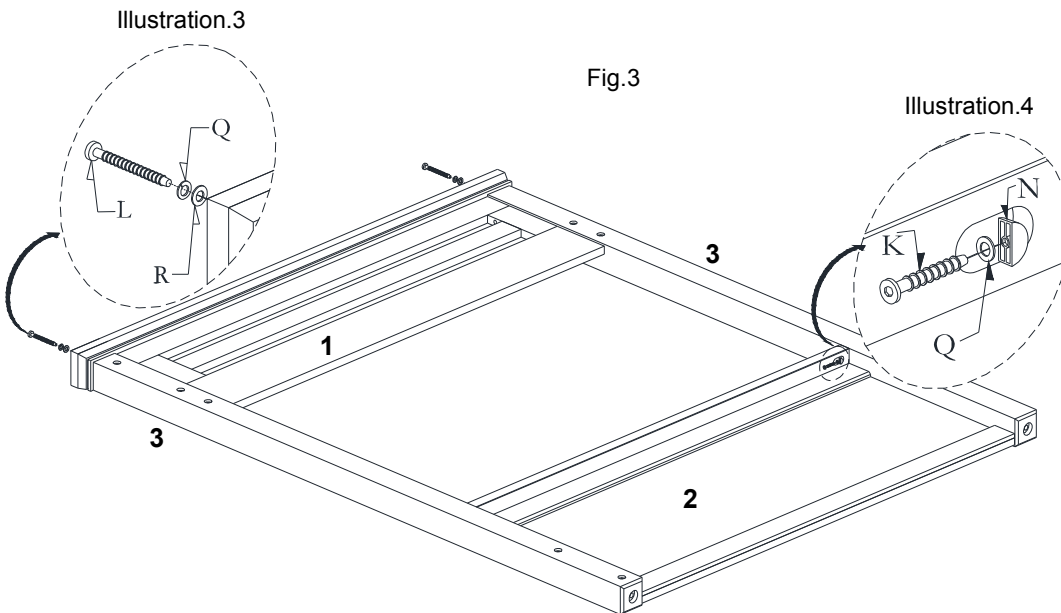
ASSEMBLY INSTRUCTIONS

1. Insert the wooden dowels (J) into the holes on the upper (1) and lower end panel (2) as shown in fig 1. Attach the end panels (1,2) to the posts (3) by inserting wooden dowels on the end panels to the holes on the posts (3) as shown in fig 2.
2. Place spring washers (Q) onto the Allen Bolts (K) through the holes on the half-moon brackets (N) into the cutout on the end panels (1,2) and tighten with the Allen Key (H) as shown in fig 2, illustration 1. Insert the Allen Bolts (M) through the holes on the vertical frame of the upper end panel (1) to the holes on the posts (3), tighten with the Allen Key (H) as shown in fig 2, illustration 2. Repeat steps 1 & 2 for the other end panel.

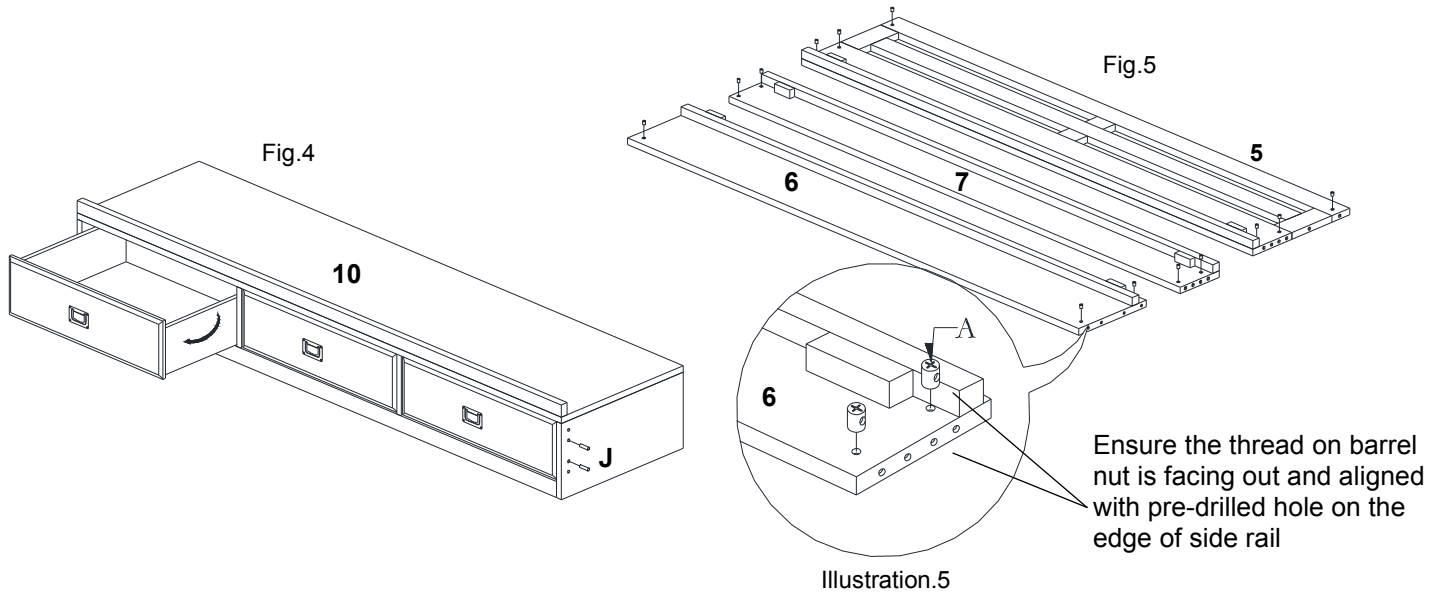


Note: Follow the stickers for assembling the posts to end panels

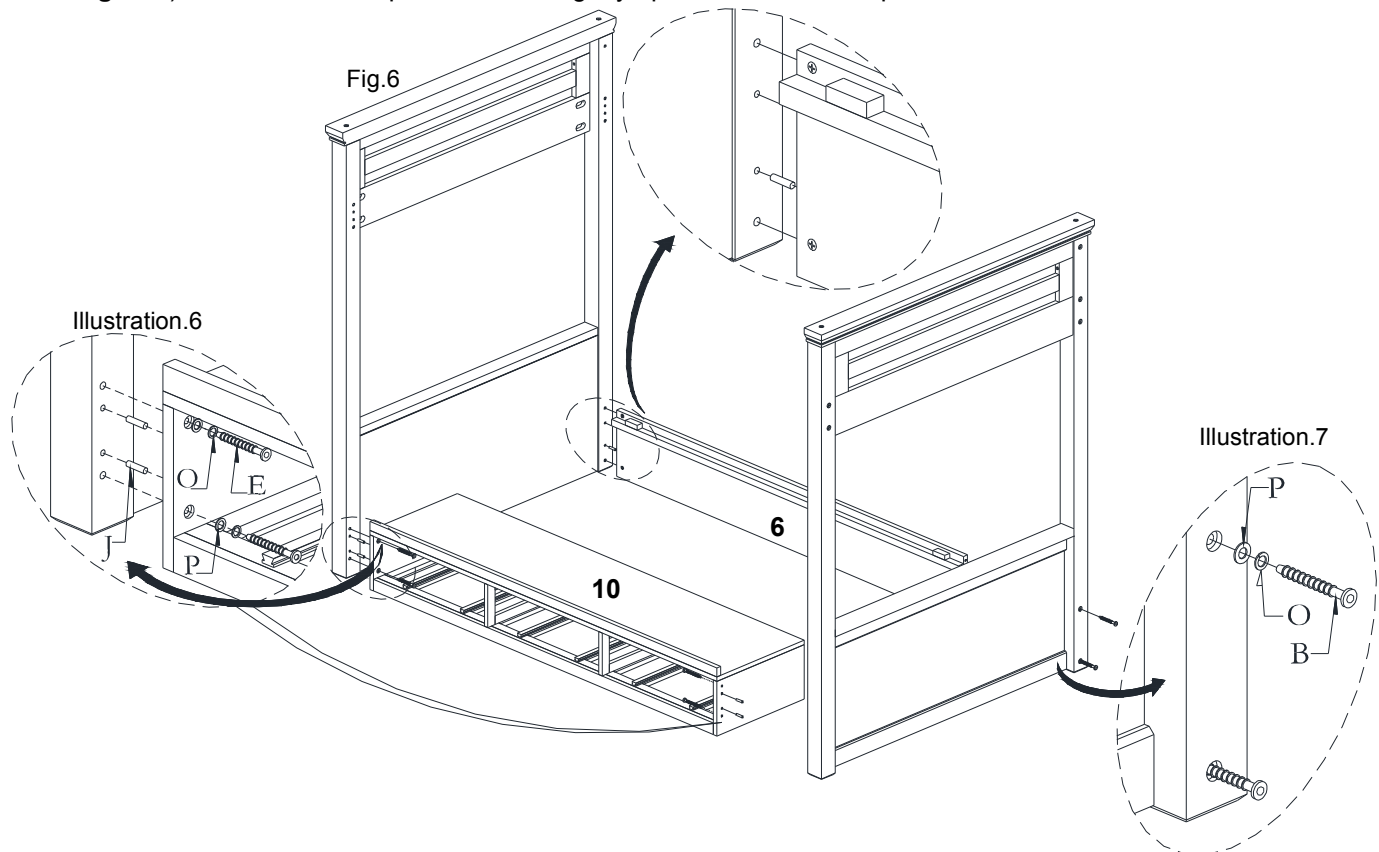
3. Place spring washers (Q) and flat washers (R) onto the Allen Bolts (L) through the holes on the crown of the upper end panels (1), tighten with the Allen Key (H) as shown in fig.3, illustration 3.
4. Place spring washers (Q) onto the Allen Bolts (K) through the holes on the half-moon bracket (N) into the cutout on the bottom of the lower end panel crown (2). Tighten with the Allen Key (H) as shown in fig 3, illustration 4.



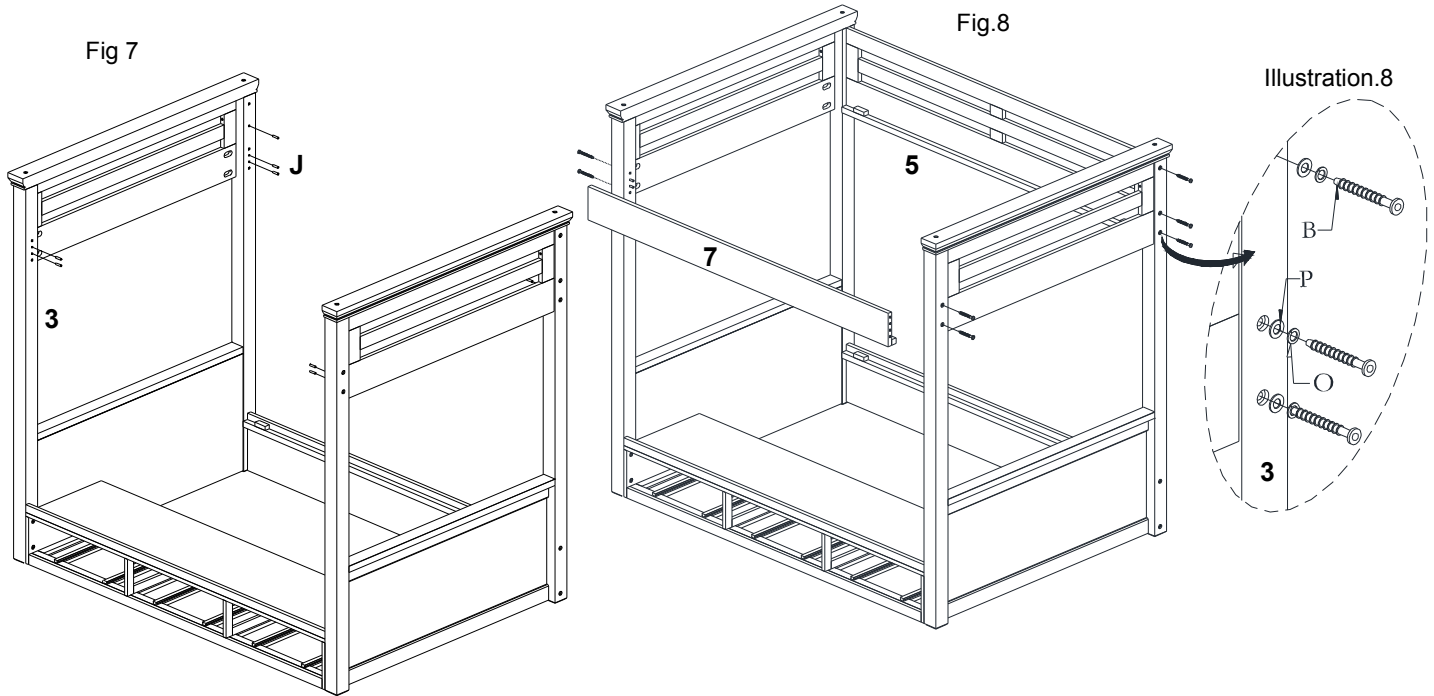
5. Remove drawers from the storage (10), insert wooden dowels (J) into the holes on side panel facing out of the storage (10) as shown in fig 4.
6. Insert the barrel nuts (A) into the holes on all rails (5,6,7) as shown in fig 5, illustration 5.



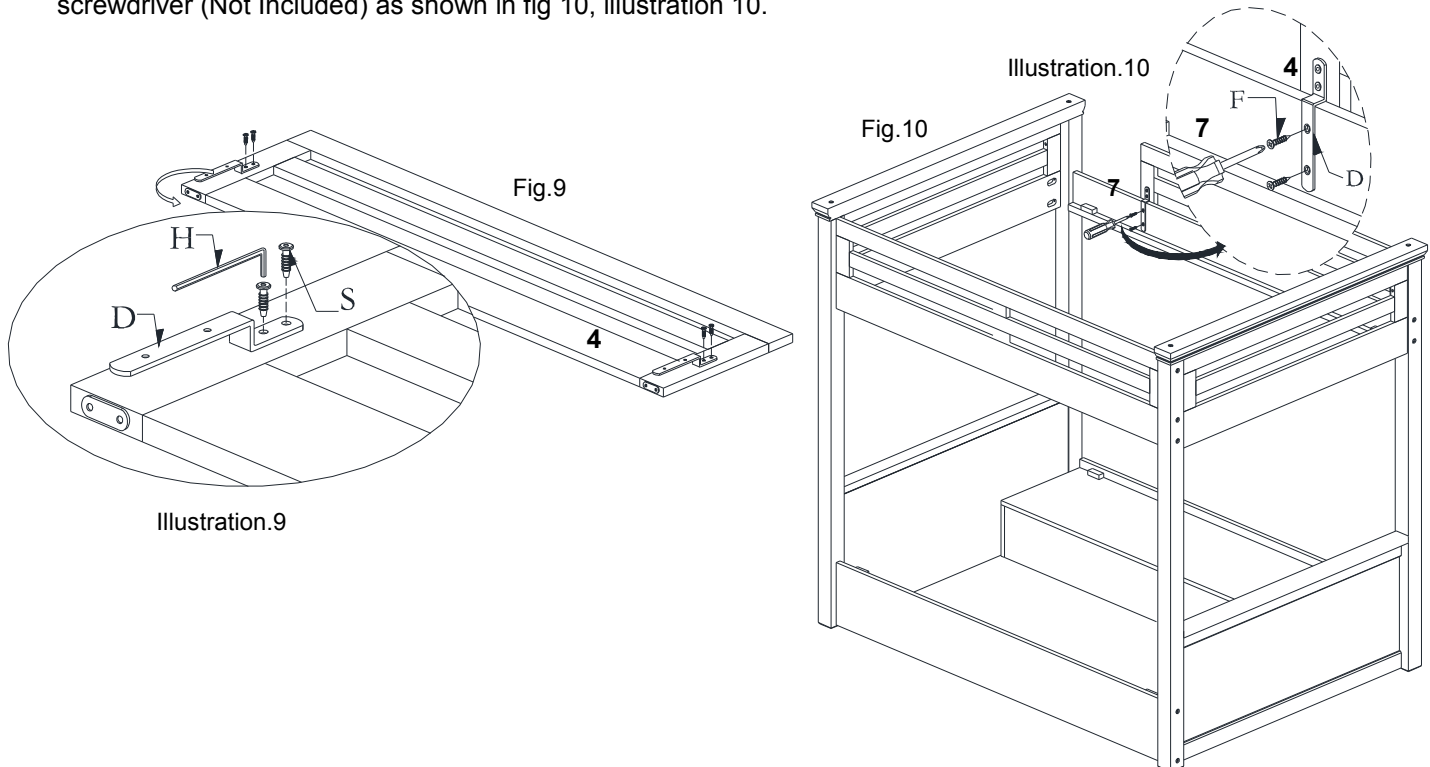
7. Attach the storage (10) and the lower side rail (6) to the end panels by inserting the dowels (J) to the holes on the posts (3). Place spring washers (O), flat washers (P) onto the Allen Bolts (E) and through the holes on the side panel of the storage (10) into the holes on the post (3). Tighten with the Allen Key (H) as shown in fig 6, illustration 6. (**Do not over tighten**)
8. Place spring washers (O) and flat washers (P) onto the Allen Bolts (B) through the holes on the post (3) facing out, and through the holes of the lower side rail (6). Loosely tighten with the Allen Key (C) as shown in fig 6, illustration 7. (**Do not over tighten**). You will need to pull the ends slightly apart to attach the top rails.



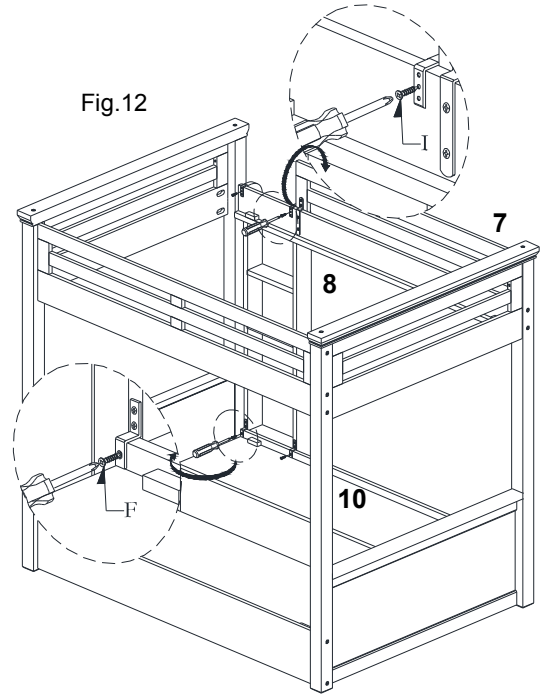
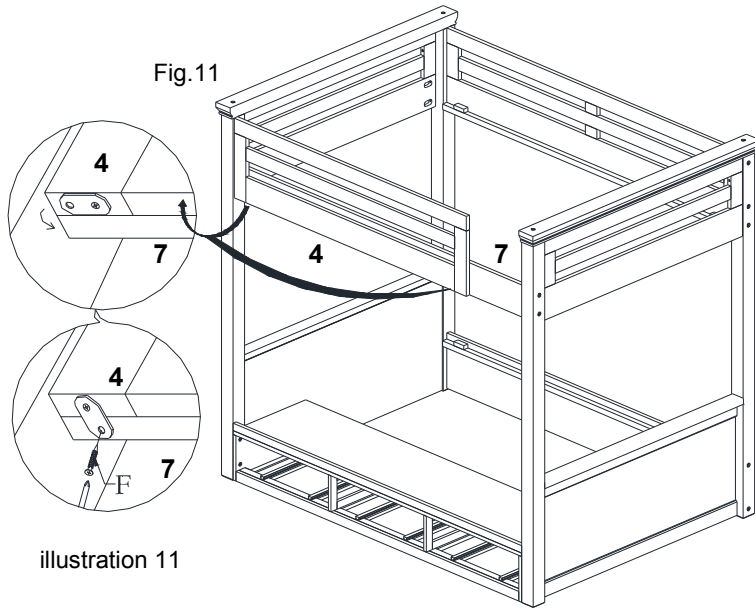
9. Insert the wooden dowels (J) into the holes on the posts (3) as shown in fig 7. Attach the upper side rails (5,7) by inserting wooden dowels (J) on the posts and into the holes on the side rail (5,7) as shown in fig 8. This will require you to slightly pull the ends assemblies open until the upper side rails are secured by the dowels.
10. Place spring washers (O), flat washers (P) onto the Allen Bolts (B) through the holes on the posts into the holes on the side rail (5,7). Tighten with the Allen Key (C) as shown in fig 8, illustration 8.
11. Tighten all connections.



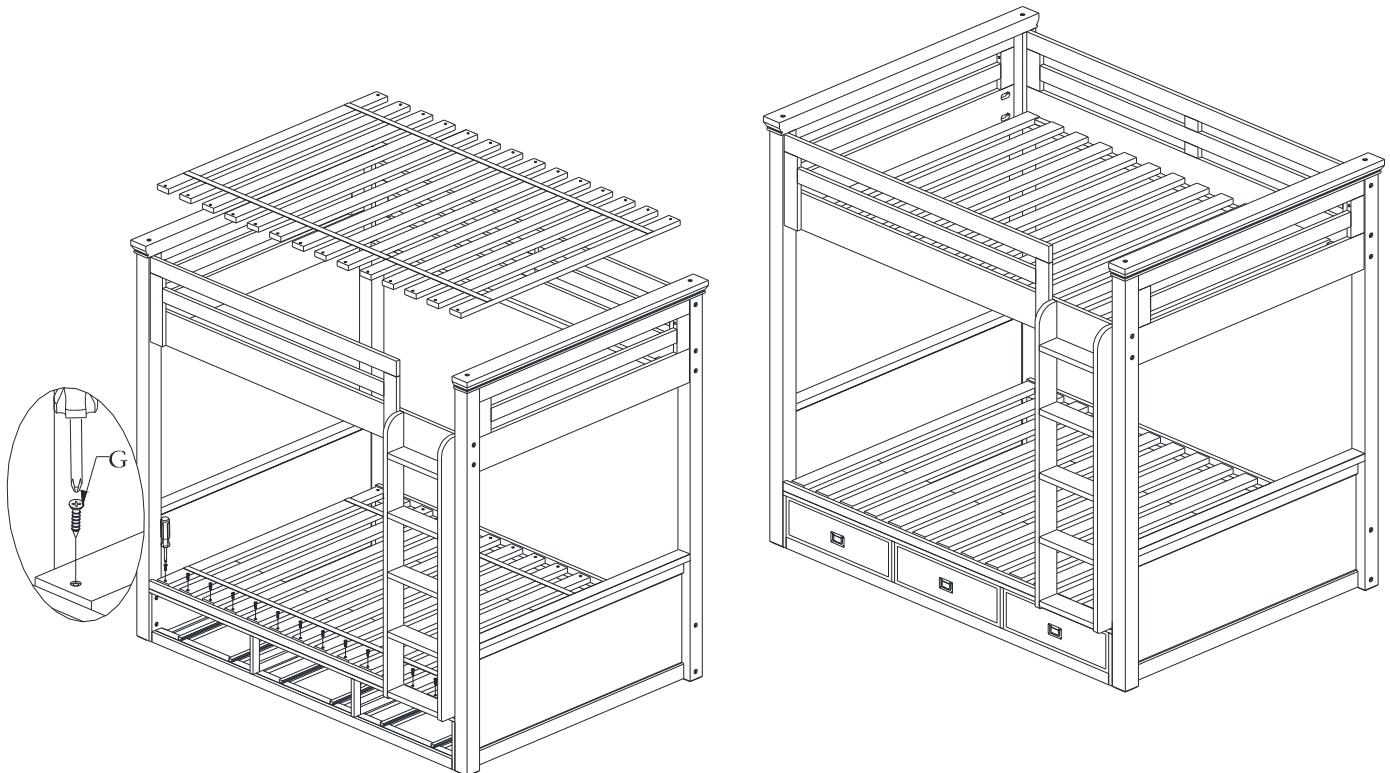
12. Attach the metal plate (D) to the short guard rail (4) by inserting Allen Bolts (S) through the holes on the metal plate (D) into the female inserts on the short guard rail (4). Tighten with the Allen Key (H) as shown in fig 9, illustration 9.
13. Attach the short guard rail (4) to upper side rail (7) of the bunk bed by sliding the metal plate (D) onto the upper side rail (7). Insert the medium screws (F) through the holes on the metal plate (D) and into the upper side rail (7). Tighten with the screwdriver (Not Included) as shown in fig 10, illustration 10.



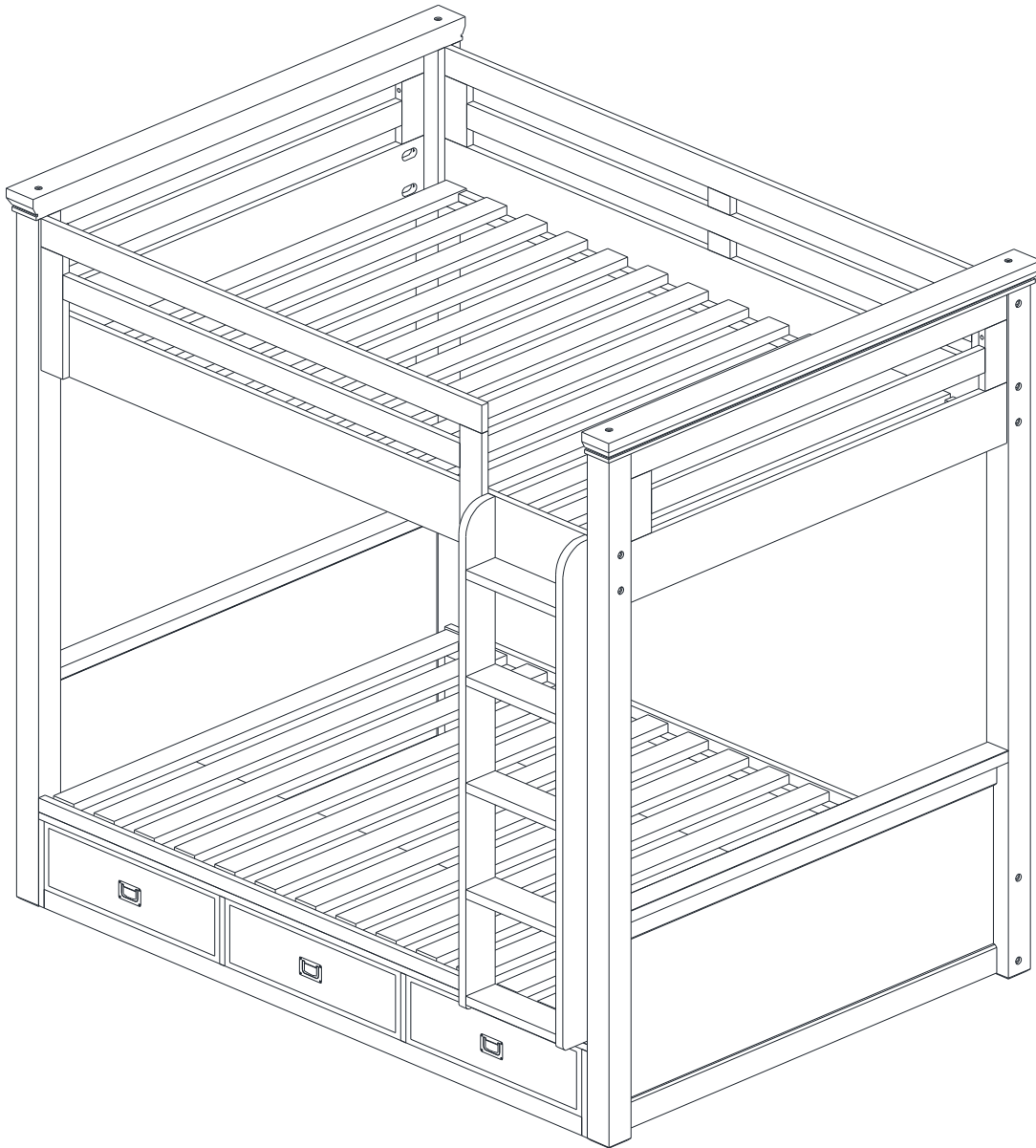
14. Turn the pre-installed mending plate under the vertical rail of short guard rail (4) onto the bottom of the upper side rail (7). Secure the mending plate to the side rail (7) with medium screws (F) as shown in fig 11, illustration 11.
15. Slot the pre-fixed metal bracket on the ladder (8) onto the upper side rail (7) and the storage (10) as shown in fig 12. Secure the ladder (8) to the upper side rail (7) with short screws (I) at the center hole of metal brackets on the ladder (8) as shown in fig 12. Insert the screws (F) through the holes on the pre-fixed metal bracket on the ladder (8) to the storage (10) and upper side rail (7). Tighten with a screwdriver (Not Included).



16. Roll out the slats (11) onto the support rails on the inner side of side rail. Secure each slat by long screws (G) at two ends using a screwdriver (Not Included). Put the drawers back to their previous positions.



Assembly is now complete.



Care Instructions:

- Dust often using a clean, soft, dry lint - free cloth.
- Blot spill immediately, and wipe with a clean, damp, cloth.
- We do not recommended the use of chemical cleansers, abrasives or furniture polish.
- Check fasteners periodically for tightness. **Do not over tighten.** This may cause distortion of breakage.
- Parents should ensure a safe environment for child by checking regularly , before placing the child on the product, that every component is properly and securely in place.
- Hardware may loosen over time. Periodically check to make sure all connections are tight. Re-tighten if necessary.
- Dust often using a clean, soft, dry and lint - free cloth.
- To clean, slightly moisten cloth with water. (A damp cloth holds dust and prevents scratching; dry thoroughly)

Thank you for your purchase
stores | catalog | www.pbteen.com