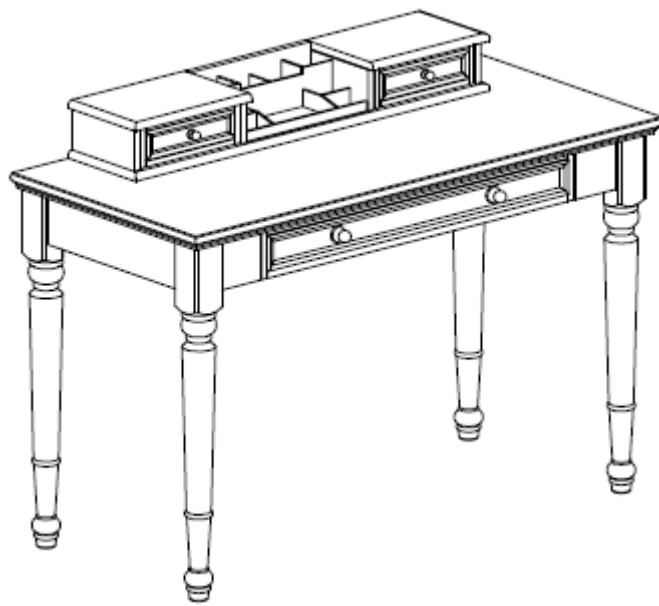




CHELSEA CLASSIC DESK HUTCH

ASSEMBLY INSTRUCTIONS



Important Safety Instructions:

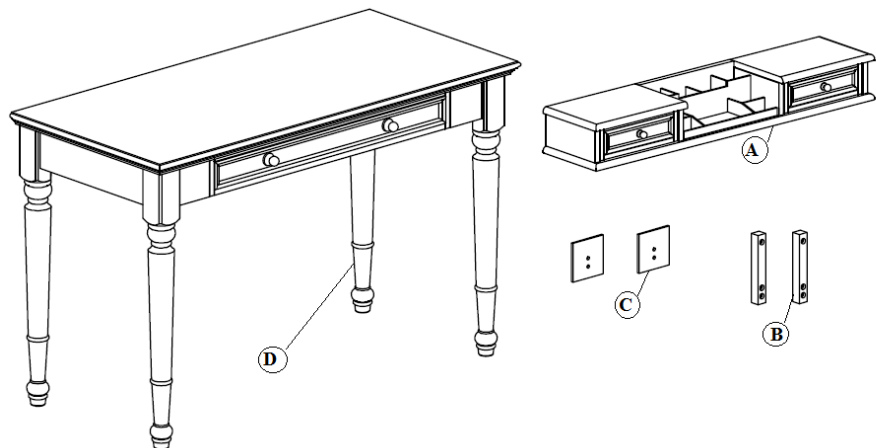
- Please read all instructions carefully before assembling this Hutch.
- For your safety, assembly by two or more adults is strongly recommended.
- Keep these instructions for future use.
- Use only vendor-supplied hardware to assemble this item. Using unauthorized hardware could jeopardize the structural integrity of the item.

Pre-assembly:

- Remove all parts and hardware from the box. Place all items on a carpeted or scratch-free work surface, as this will avoid damaging the parts during assembly. The shipping box provides an ideal work surface.
- To avoid accidentally discarding small parts or hardware, do not dispose of any packaging or contents of the shipping carton until assembly is complete.
- Use the parts and hardware lists below to identify and separate each of the pieces included.
- The illustrations provided allow for easier assembly when used in conjunction with the assembly instructions.
- The use of power tools to aid in assembly is not recommended. Power tools can damage the hardware and split the wood.

Parts Included:






- (A) Hutch (1x)
- (B) Wood Support (2x)
- (C) Wood Plate (2x)



Parts required (not included):

- (D) Chelsea Simple Desk (1x)

Hardware Included:

<p>(E) Bolt Ø 1/4" x 1-1/4" - 2x</p> 	<p>(F) Bolt Ø 1/4" x 1-3/4" - 4x</p> 	<p>(G) Spring Washer 1/4" x Ø 11 x 1.2mm-6x</p> 	<p>(H) Flat Washer 1/4" x Ø 13x 1mm-6x</p> 
<p>(I) Ball Tip Allen Key M4 x 110 x 30mm- 1x</p> 			

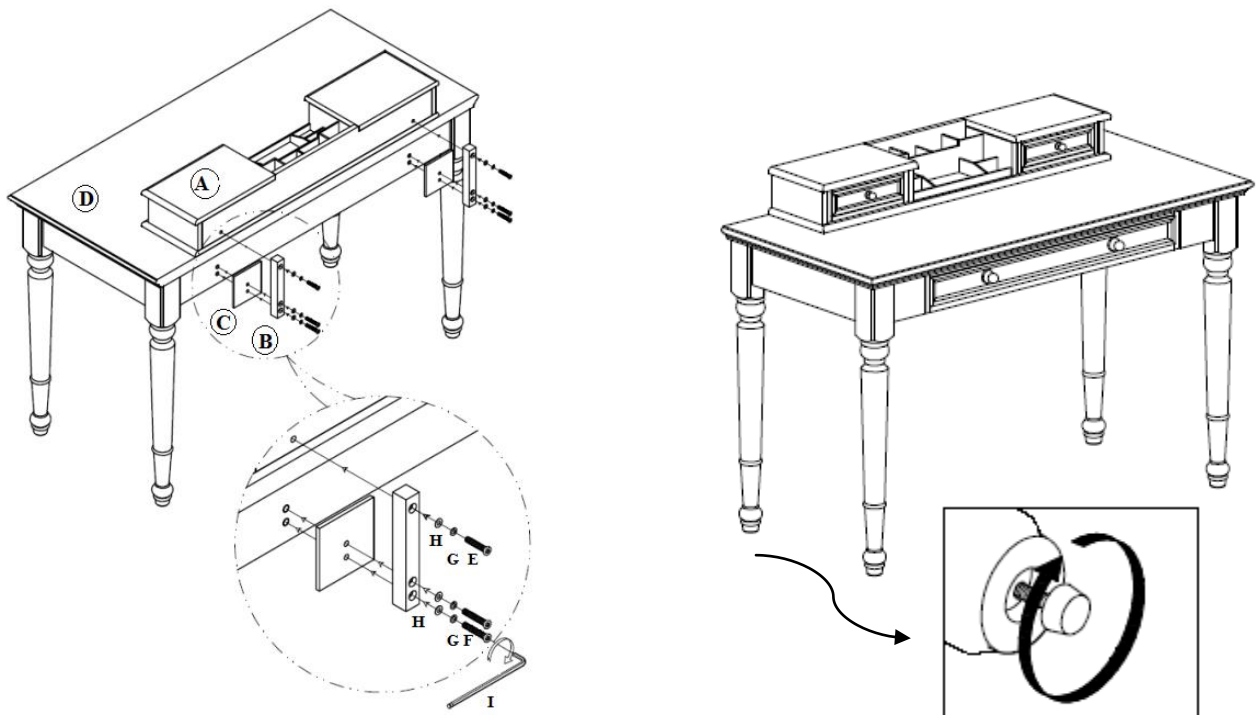
Tools Required (not included):



Philips Head Screwdriver

Assembly Instruction Steps:

1. On a soft, scratch-free surface (such as a carpet or rug) remove all the parts from the boxes.
2. Determine the desired location of the Hutch and prepare all parts at this location before beginning the assembly.
3. Place Hutch (A) onto the Chelsea Simple Desk (D-sold separately).
4. Align the holes on the back of the Hutch (A) with the holes on the back of the Desk (D).
5. Secure with 4 sets of: Bolt (F), Spring Washer (G), and Flat Washer (H) through the holes of the Wood Support (B) and Wood Plate (C) -to the pre-fixed insert nuts on the back of the Desk (D), as seen in the illustration below.
6. Secure 2 sets of: Bolt (E), Spring Washer (G), and Flat Washer (H) through the holes of the Wood Support (B) and to the pre-fixed insert nuts on the back of Hutch (A), as seen in the illustration below.
7. Tighten all the bolts with Ball Tip Allen Key (I).
8. If Desk (D) does not sit level, adjust the levelers (in or out).



Care Instructions:

- Dust often using a clean, soft, dry, and lint-free cloth.
- Blot spills immediately and wipe with a clean, damp cloth.
- We do not recommend the use of chemical cleansers, abrasives, or furniture polish on our lacquered finish.
- Hardware may loosen over time. Periodically check to make sure all connections are tight.
Re-tighten if necessary.