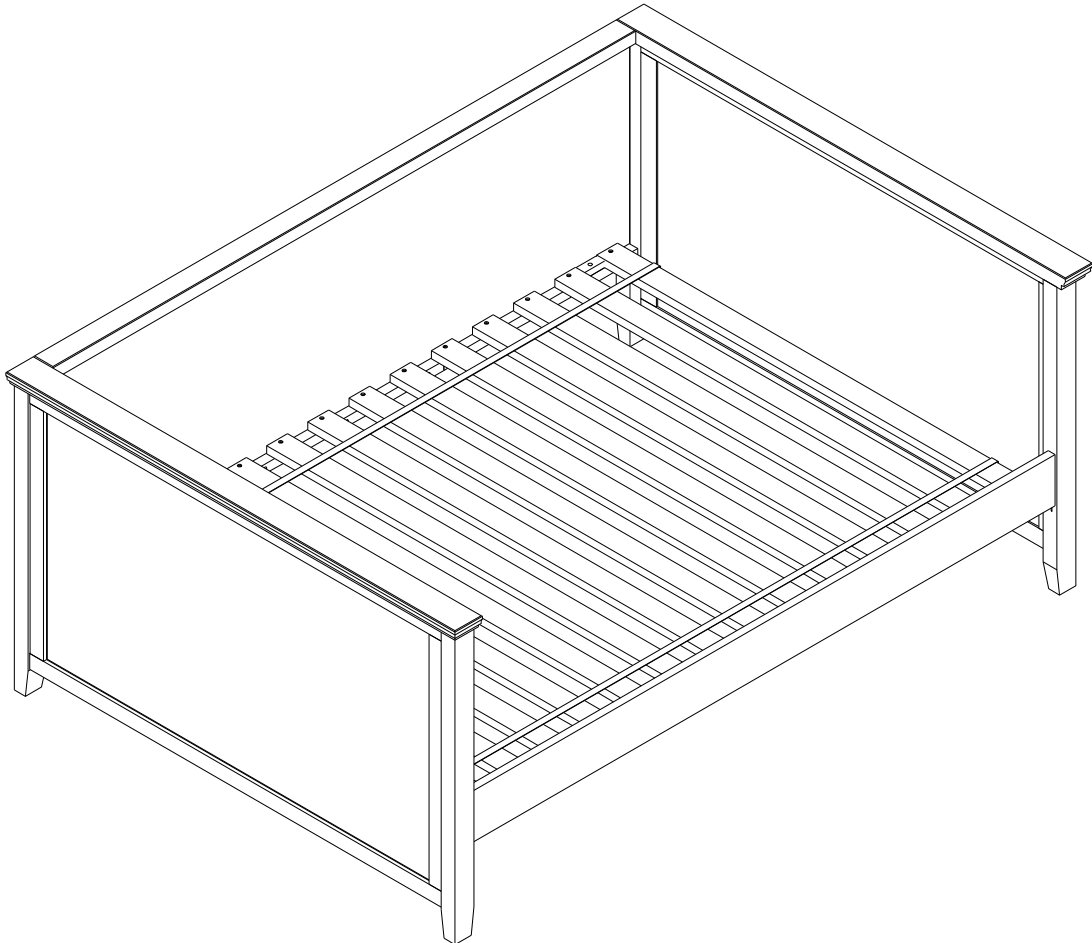


**HAMPTON DAYBED – TWIN / FULL**

**ASSEMBLY INSTRUCTION**



**IMPORTANT SAFETY INSTRUCTIONS:**

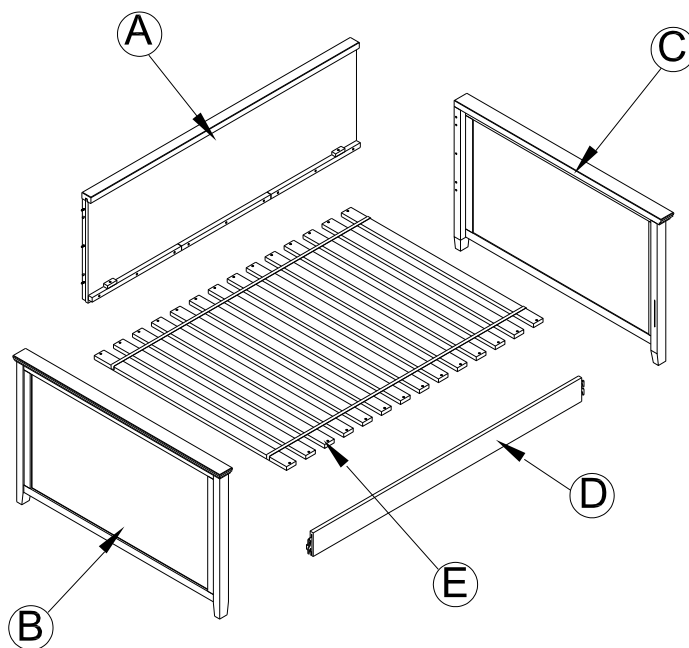
- Please read all instructions carefully before assembling this bed.
- For your safety, assembly by two or more adults is strongly recommended.
- Keep these instructions for future use.
- Use only vendor-supplied hardware to assembly this item. Using unauthorized hardware could jeopardize the structural integrity of the item.

**PRE- ASSEMBLY:**


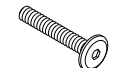


- Remove all parts and hardware from the box. Place all items on a carpeted or scratch-free work surface, as this will avoid damaging parts. The shipping box provides an ideal work surface.
- To avoid accidentally discarding small parts or hardware, please do not dispose of any contents until assembly is complete.
- Two people are recommended for your safety and ease of assembly.
- Prior to starting this assembly, use the parts and hardware lists to identify and separate each of the pieces included.
- The illustrations provided allow for easier assembly when used in conjunction with the assembly instructions.
- Note: Do not fully tighten any of the bolts until all parts are in place. Failure to follow these instructions may cause the bolts to misalign during assembly.
- Please use caution if using power tools to aid in assembly. Power tools can damage the hardware or split the wood.

**PARTS INCLUDED:**

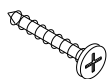
- A – Back Panel (x1)
- B – Left Side Headboard (x1)
- C – Right Side Headboard (x1)
- D – Side Rail (x1)
- E – Slat Roll (x1)



**HARDWARE INCLUDED:**

| F – Ball Tip Allen Key                                                              | G – Allen Bolt                                                                      | H – Spring Washer                                                                   | I – Flat Washer                                                                       |
|-------------------------------------------------------------------------------------|-------------------------------------------------------------------------------------|-------------------------------------------------------------------------------------|---------------------------------------------------------------------------------------|
|  |  |  |  |
| 4 x95x30(mm)                                                                        | 1/4"x32xΦ13(mm)                                                                     | 1/4"x10x1.5(mm)                                                                     | 1/4"x12x1.5(mm)                                                                       |
| 1pc                                                                                 | 6pcs                                                                                | 6pcs                                                                                | 6pcs                                                                                  |

J – Philips Head Screw

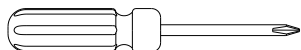


8x30x(mm)

28pcs

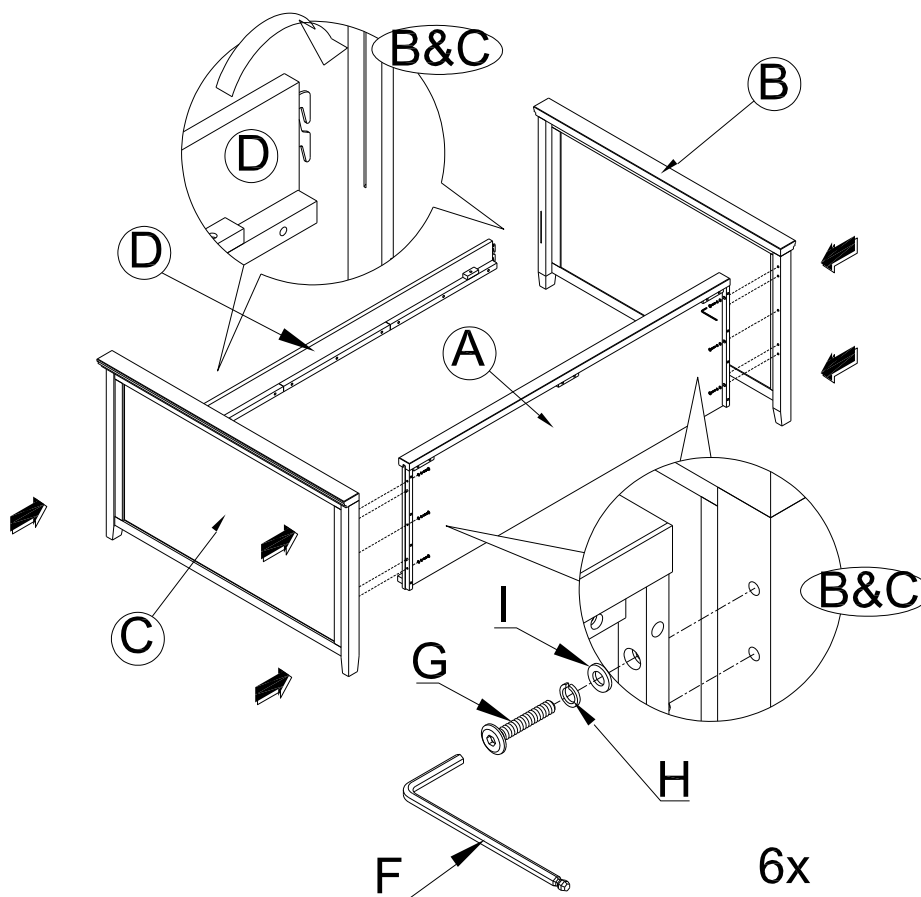
**TOOL REQUIRED (but not included):**

Phillips Head Screwdriver

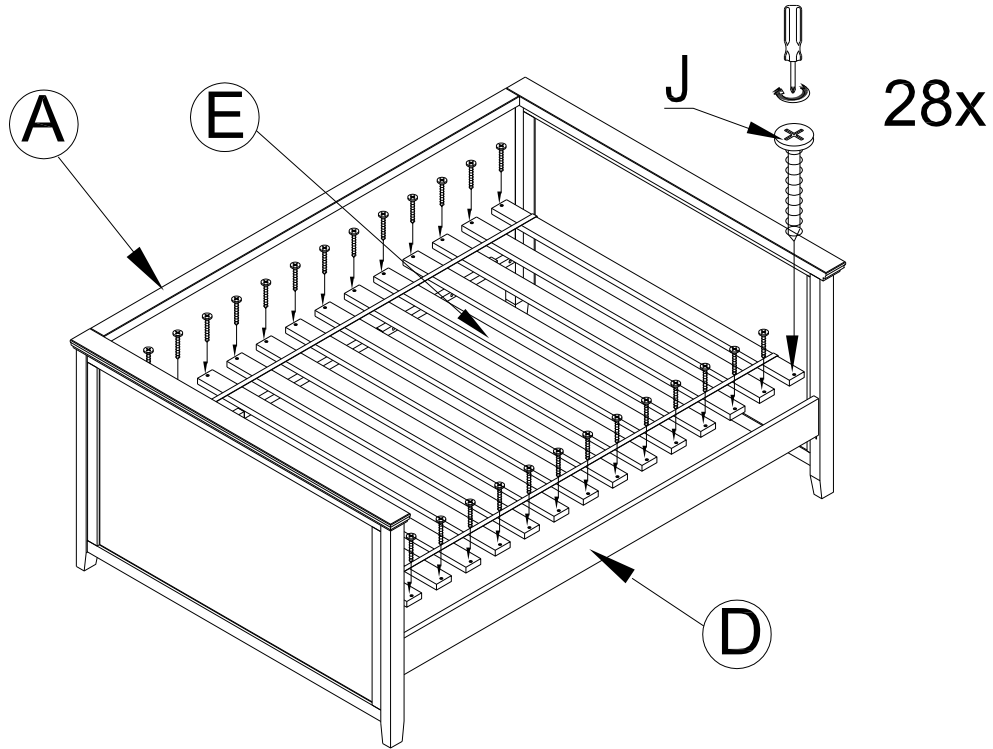


**ASSEMBLY INSTRUCTION STEPS:**

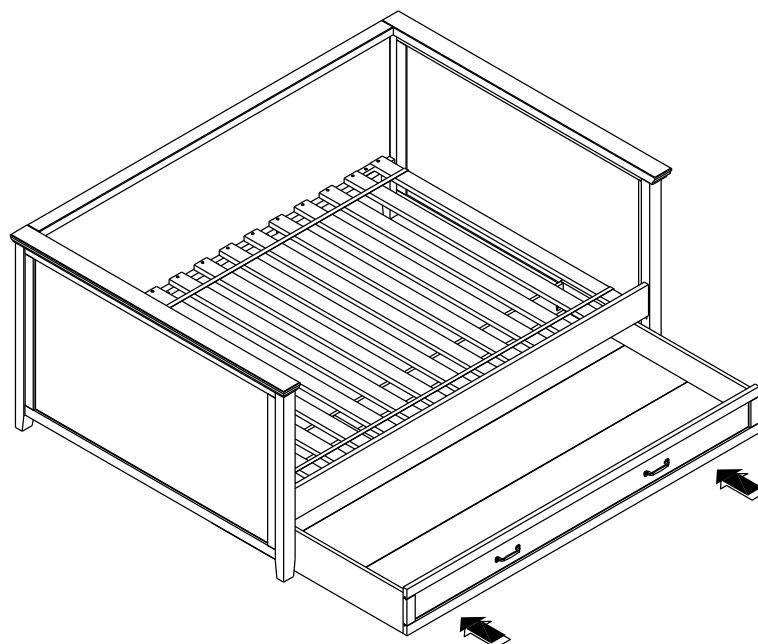
1. Place the Back Panel (A), both Headboards (B & C) and Side Rail (D) in an upright position and place all into the positions onto a scratch free surface, as seen below. Assembly requires 2 or more adults.
2. Attached the Side Rail (D) onto both Headboards (B&C) by hooking into the left side of the pre-drilled slots of both Headboards (B&C) as shown below.
3. Find the top pre-drilled holes of the Back Panel (A) and place the Flat Washer (I), Spring Washer (H) and insert through the Allen Bolt (G). Tightening using the Ball Tip Allen Key (F). Follow the same procedure on the rest of the pre-drilled holes x6 sets. Illustration as shown below.



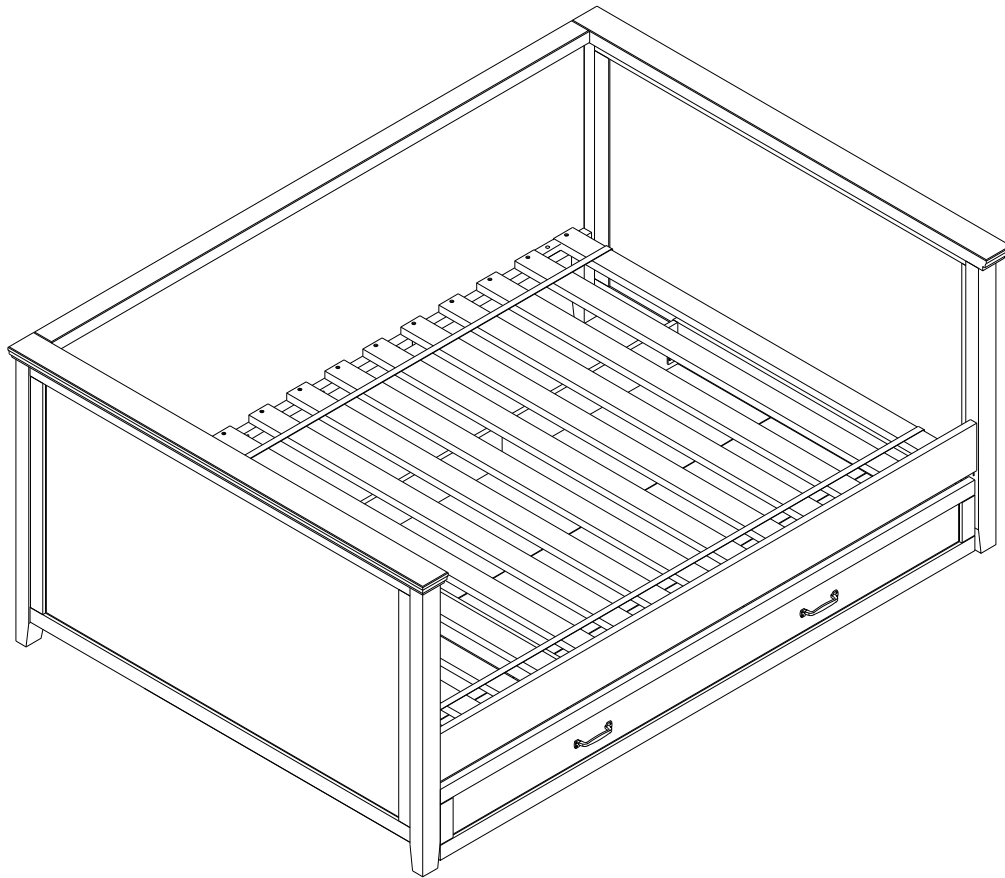
4. Place the Slat Roll (E) in between Back Panel (A) and Side Rail (D). Make sure the ends of the slats rest on the small ledges inside of Back Panel (A) and Side Rail (D).
5. Secure Slat Roll (E) with 28 Phillips Screws (J), using a Phillips Head Screwdriver (not provided), as seen in the illustration below.
6. Hardware should be checked periodically for tightness



7. If using a trundle (sold separately), insert the trundle slowly underneath the bed so that it will not hit the side Headboards (B&C) of the bed.



8. Assembly is now completed.



**CARE INSTRUCTIONS:**

- Dust often using a clean, soft, dry, and lint-free cloth.
- Blot spills immediately and wipe with a clean, damp cloth.
- We do not recommend the use of chemical cleansers, abrasives, or furniture polish on our lacquered finish.
- Hardware may loosen over time. Periodically check to make sure all connections are tight.  
Re-tighten if necessary.