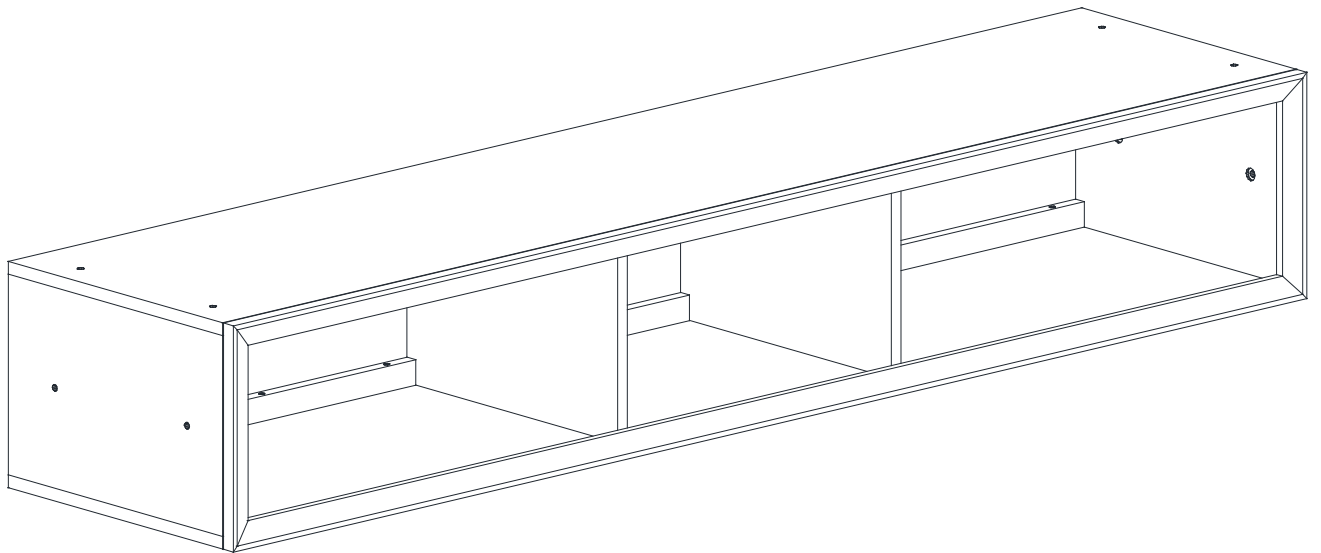




ROWAN OVERHEAD BRIDGE

ASSEMBLY INSTRUCTIONS



Date: 2015-April-14

Important Safety Instructions:

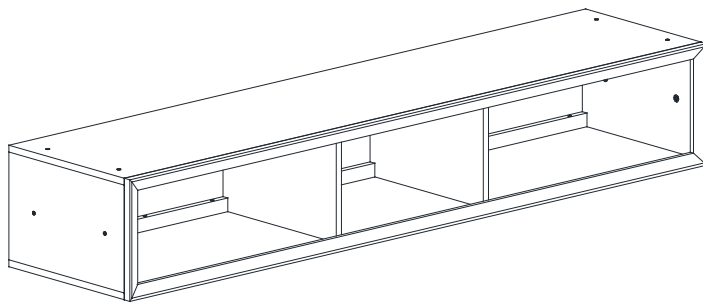
- Please read all instructions carefully before assembling.
- For your safety, assembly by two or more adults is strongly recommended.
- Keep instructions for future use.
- Use only vendor supplied hardware to assemble. Using unauthorized hardware could jeopardize the structural integrity of the item.

Pre-assembly:

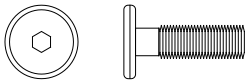
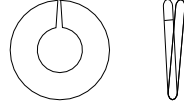
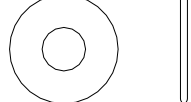



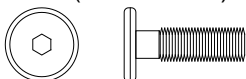
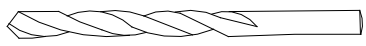
- Remove all parts and hardware from the box and lay out on a clear carpeted or scratch-free work surface, as this will avoid damaging parts during assembly. The shipping box provides an ideal work surface.
- Do not dispose of any packaging or contents of the shipping carton until assembly is completed to avoid accidentally discarding small parts or hardware.
- Use the parts and hardware lists below to identify and separate each of the pieces included.
- The illustrations provided allow for easier assembly when used in conjunction with the assembly instructions.
- The use of power tools to aid in assembly is not recommended. Power tools can damage hardware and split wood.

Parts Included :

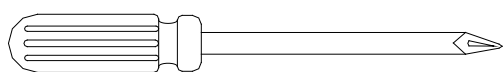
(A) Overhead Bridge 1 pc



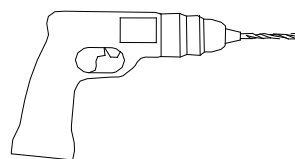
Hardware Included:

<p>(C) Allen Bolts (M6 x 20mm)</p>  <p>8x</p>	<p>(D) Spring Washer</p>  <p>8x</p>	<p>(E) Metal Washer (2mm)</p>  <p>8x</p>	<p>(F) Allen Key</p>  <p>2x</p>
<p>(G) Metal Bracket</p>  <p>4x</p>	<p>(H) Sleeve Nut</p>  <p>4x</p>	<p>(I) Allen Bolts (M6 x 30mm)</p>  <p>4x</p>	<p>(J) Drill Bit ø9mm</p>  <p>1 set</p>

Tools Required (not included):



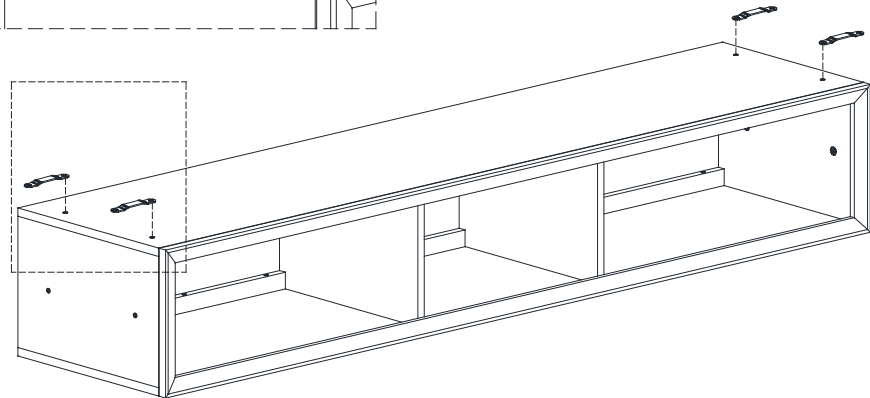
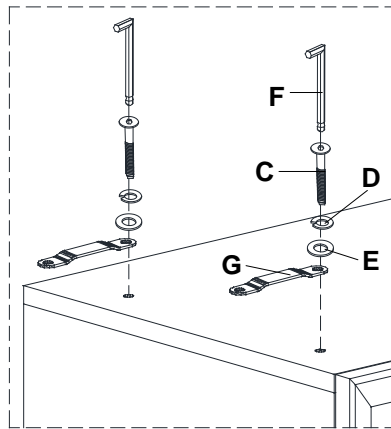
Philips Head Screwdriver



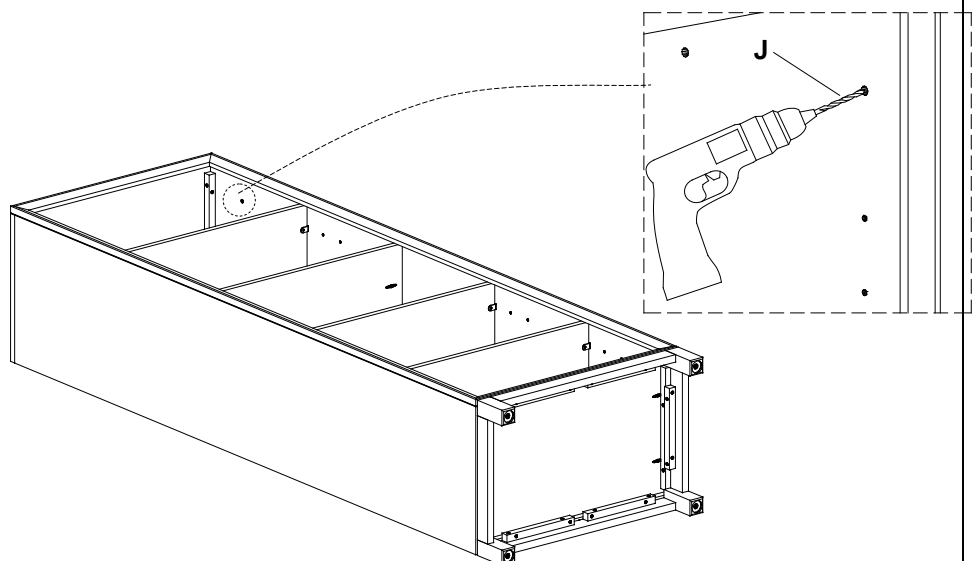
1x

Assembly Instruction Steps:

1. Assemble the Metal Brackets (G) on top of both ends of the Bridge for support while connecting the storage tower with the Bridge. Secure with Bolts (C), Spring washer (D) and Metal washer (E) tighten with the Allen Key (F), as shown below. **Note:** Make sure the brackets are perpendicular to the sides.

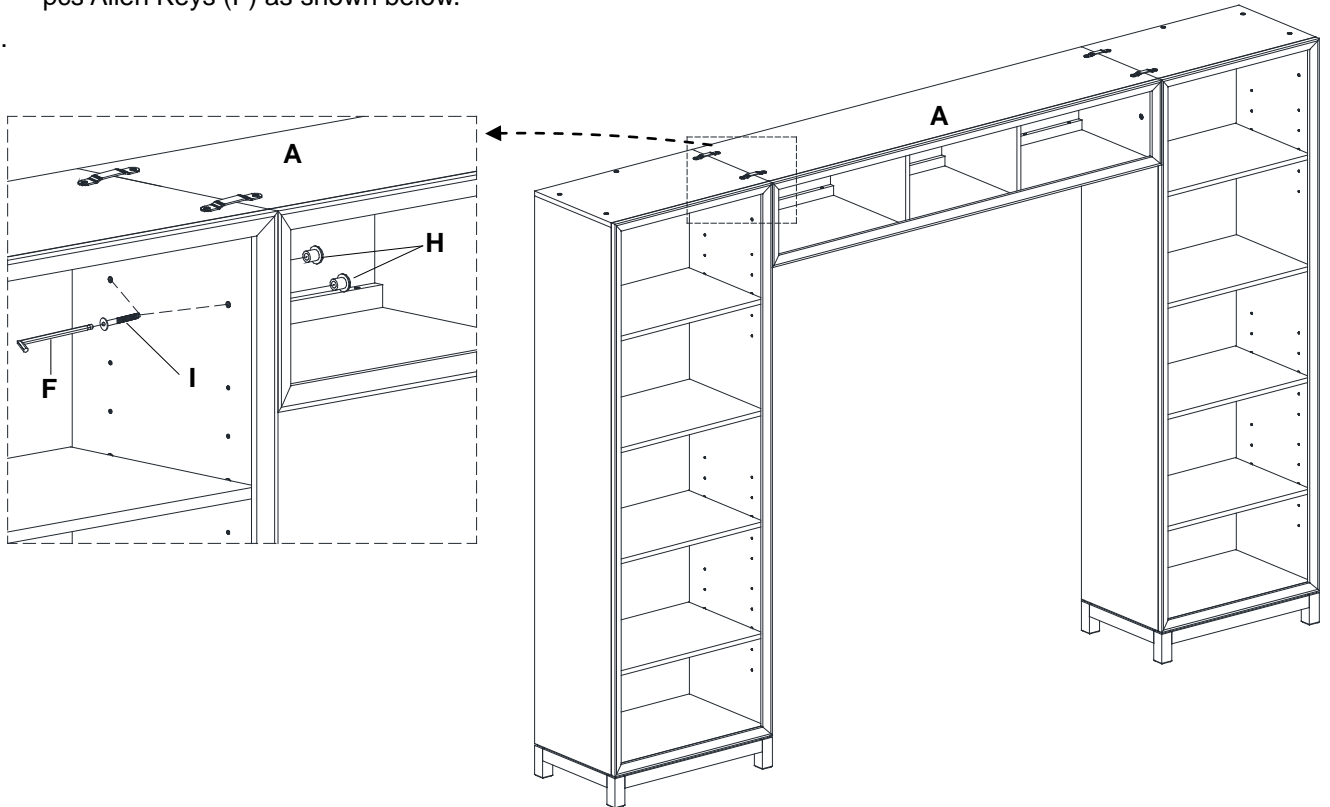


2. Before attaching the bridge to the 2 tower bookcases, make sure the 2 holes on the upper side of Tower Bookcase (**sold separately**) are drilled through with the $\varnothing 9\text{mm}$ Drill Bit (J) supplied as shown below.

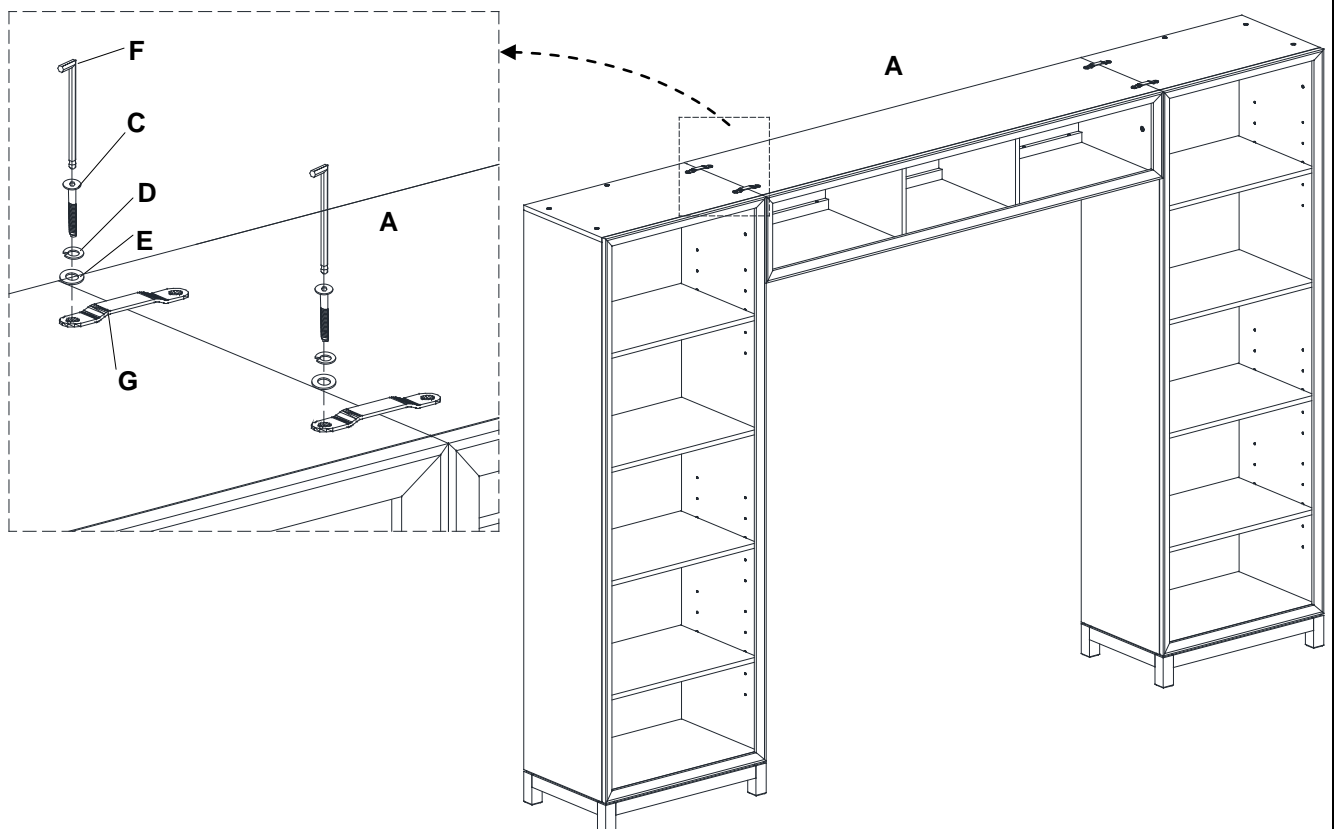


3. Stand the Bookcase Towers upright apart against the wall, using the bridge (A) as a measuring guide to place the second tower bookcase. With 2 people lift the Overhead Bridge (A) above the Towers. Lay the exposed Metal Brackets attached to the bridge on top of the Towers as a temporary hanging method. Assemble the Bridge (A) to the Bookcase Towers by aligning the holes on the side panels. Insert Sleeve Nuts (H) on the inside of the Bridge (A) and Bolts (I) on the inside of the Bookcase Towers. Tighten with 2 pcs Allen Keys (F) as shown below.

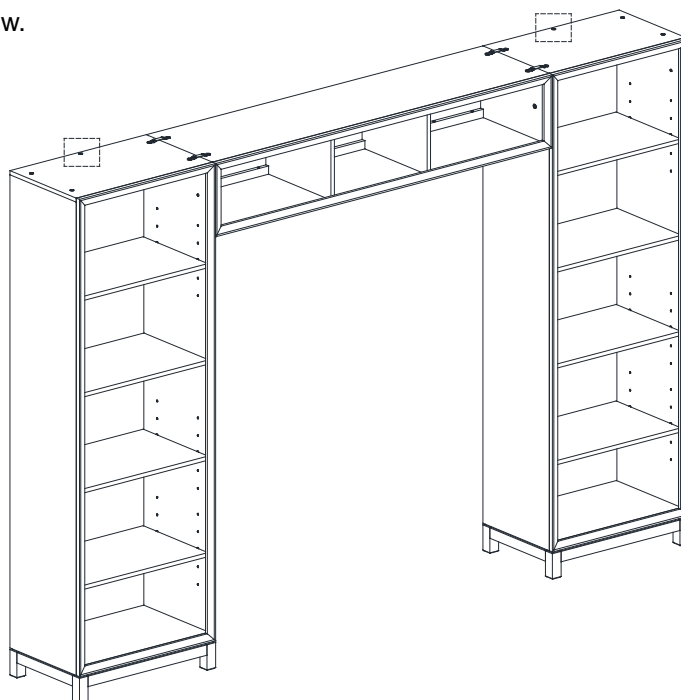
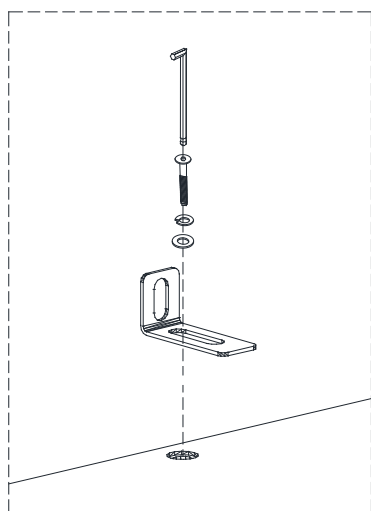
4.



5. Insert bolts (C), Spring Washer (D), Metal Washer (E) into holes Metal Bracket (G). Tighten with Allen Key (F), as shown below.



6. Attach Metal Bracket to the Top Panel Tower Bookcase, by inserting bolt, Lock Washer, Metal Washer into hole. Tighten with Allen Key as shown below.

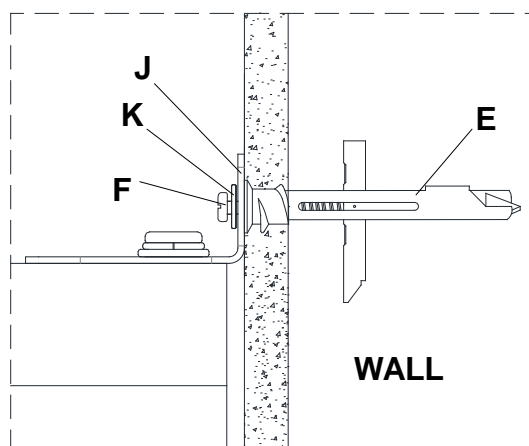
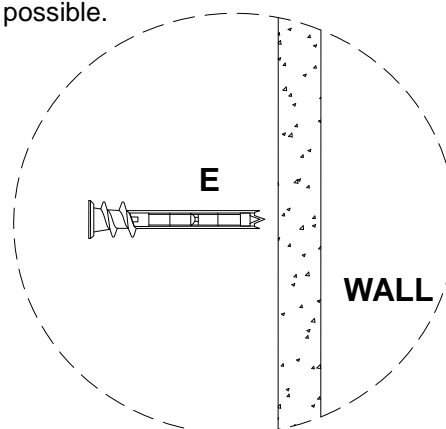


Note:

For safe mounting it is essential to use the proper hardware for your wall type. The hardware included is meant for drywall or wood stud mounting only. If walls are concrete, brick or plaster, please consult your local hardware store for assistance. Mount to wood studs whenever possible.

7. **Drywall Mounting:**

Place the bookcase with the Metal Bracket (J) attached, against the wall in its desired location. Using a pencil, mark the wall through the hole of Metal Bracket (E). These marks on the wall will be your insertion points for the mounting hardware. Remove the Metal Bracket from the top of the bookcase using the Allen Key. With a Philip's head screwdriver; insert the Drywall Anchors (E) through the pencil marks of your insertion points. Gently press the anchor while turning it in a clockwise direction until anchor's head is flush with the wall. Repeat for any other insertion points located over drywall. Re-attach the Metal bracket to the top of the bookcase. Using a Philip's head screwdriver, align the slots in the Metal Brackets (J) to the hole in the Drywall Anchors (E). Insert Screws (F) and Metal Washer (K), through the slots in the Metal Brackets (J), and into the holes of the Drywall Anchors (E). Make sure the Tower Bookcase is securely fastened to the wall.



Note: The Tower Bookcase can be adjusted in and out, and up and down (slightly) by loosening the bolt/screws, making your adjustment, and securely. Re-tightening all bolts and screws.

8. **Stud Mounting:** For stud mounting, locate stud, repeat the steps above, but instead of using the Drywall anchors, Insert Screws (F) and Metal Washer (K), through the slots in the Metal Brackets (J), and into the wall stud.

Assembly is complete:

Shown with Classic Bed (sold separately). Slide in the assembled Classic Bed as shown below.

Note: The Classic bed cannot be used with trundle in this configuration if bed is pushed in as seen Figure-1. To use the trundle, the bed will need to be pulled forward as see in Figure-2.

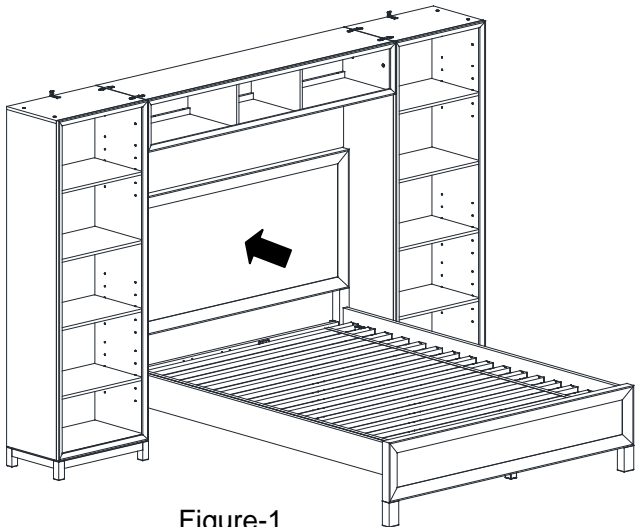


Figure-1

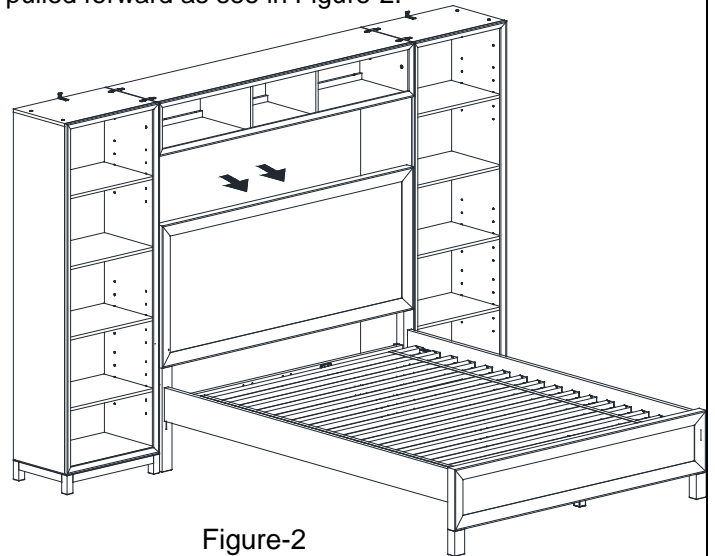
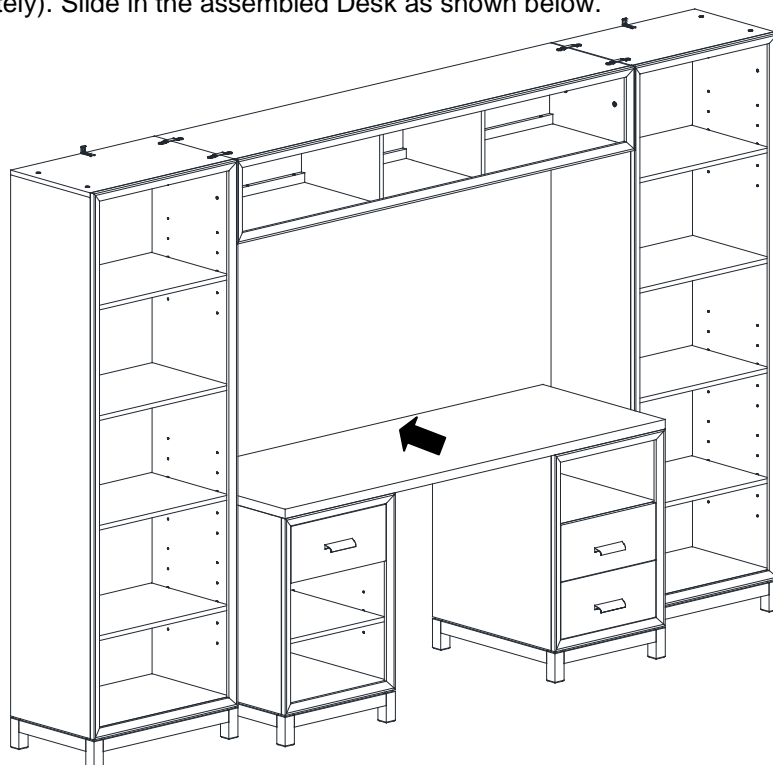


Figure-2

9. Shown with Desk (sold separately). Slide in the assembled Desk as shown below.



Care Instructions:

- Dust often using a clean, soft, dry and lint-free cloth.
- Blot spills immediately and wipe with a clean, damp, cloth.
- We do not recommend the use of chemical cleaners, abrasives or furniture polish on our Lacquered finish.
- Hardware may loosen over time. Periodically check to make sure all connections are tight.
- Re-tighten if necessary.