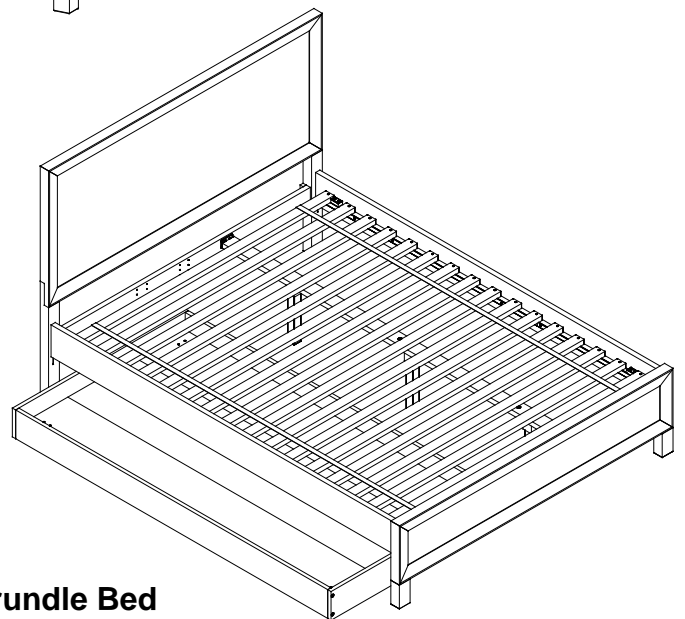
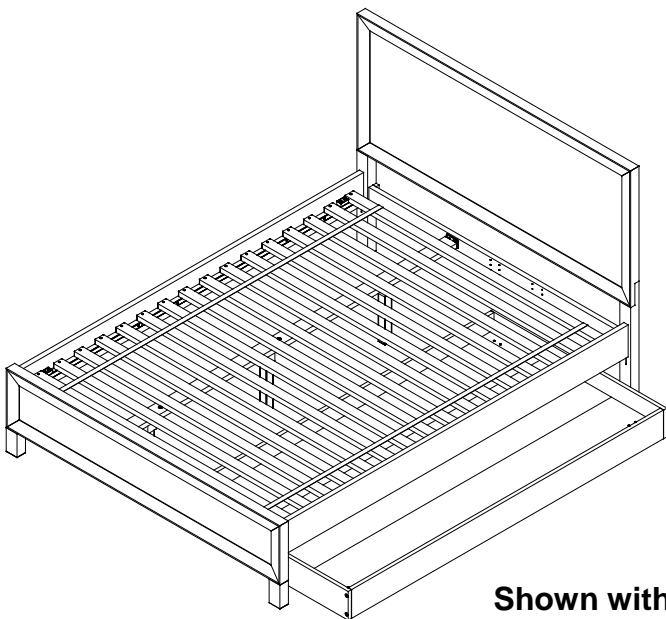
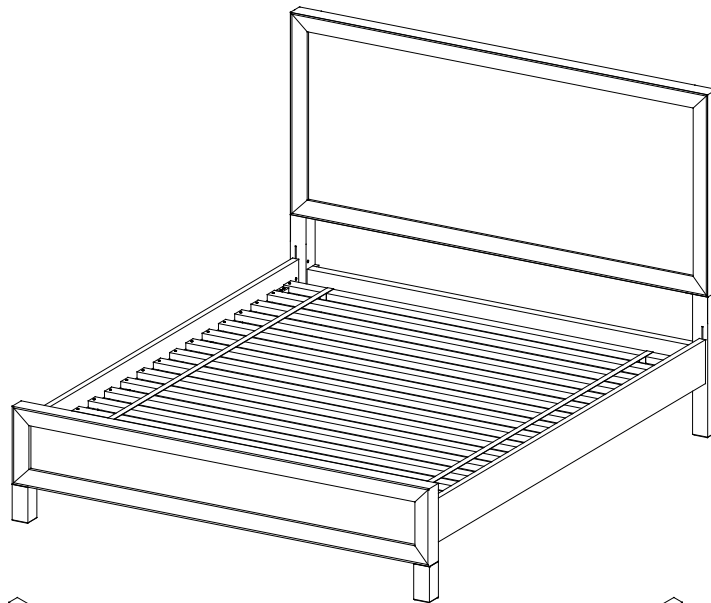




ROWAN CLASSIC BED
(Trundle Bed optional)

ASSEMBLY INSTRUCTIONS



Shown with Trundle Bed

Date: 2015-February-04
Rev : 2015-February-07

Important Safety Instructions:

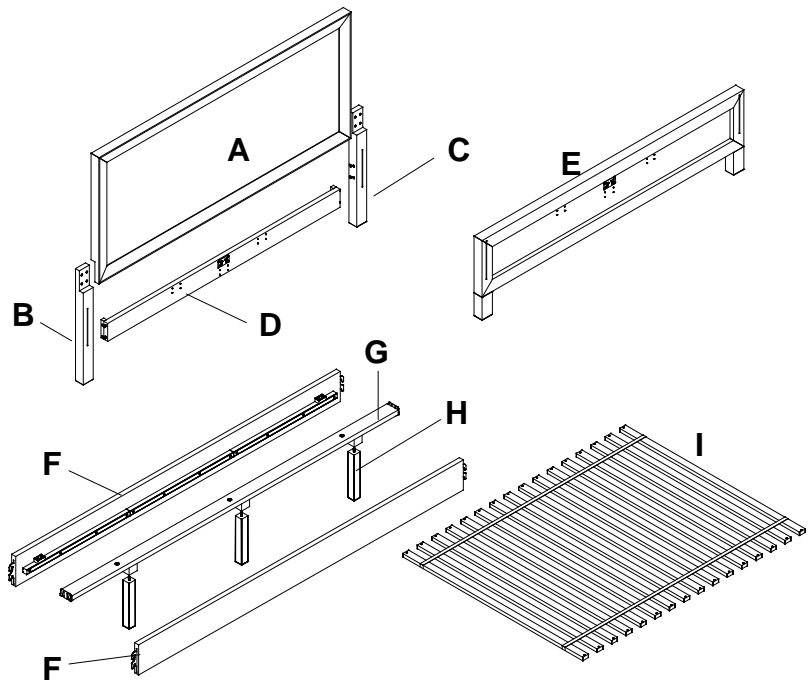
- Please read all instructions carefully before assembling.
- For your safety, assembly by two or more adults is strongly recommended.
- Keep instructions for future use.
- Use only vendor supplied hardware to assemble. Using unauthorized hardware could jeopardize the structural integrity of the item.

Pre-assembly:

- Remove all parts and hardware from the box and lay out on a clear carpeted or scratch-free work surface, as this will avoid damaging parts during assembly. The shipping box provides an ideal work surface.
- Do not dispose of any packaging or contents of the shipping carton until assembly is completed to avoid accidentally discarding small parts or hardware.
- Use the parts and hardware lists below to identify and separate each of the pieces included.
- The illustrations provided allow for easier assembly when used in conjunction with the assembly instructions.
- The use of power tools to aid in assembly is not recommended. Power tools can damage hardware and split wood.
- Note: Do not fully tighten all bolts until all parts are in place. Failure to follow these instructions may cause the bolts to misalign during assembly.

Parts Included in Box 1:

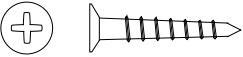
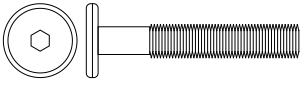
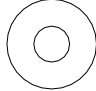
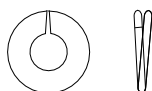
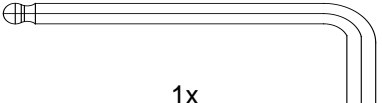
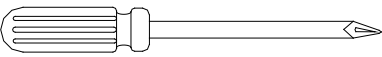
- | | |
|---------------------|------|
| (A) Headboard | 1 pc |
| (B) Left Leg | 1 pc |
| (C) Right Leg | 1 pc |
| (D) Horizontal Rail | 1 pc |
| (E) Footboard | 1 pc |



Parts Included in Box 2:

- | | |
|-------------------------------|-------|
| (F) Side Rails | 2 pcs |
| (G) Mid Beam (Queen only) | 1 pc |
| (H) Leg Supports (Queen only) | 3 pcs |
| (I) Slat Roll | 1 pc |

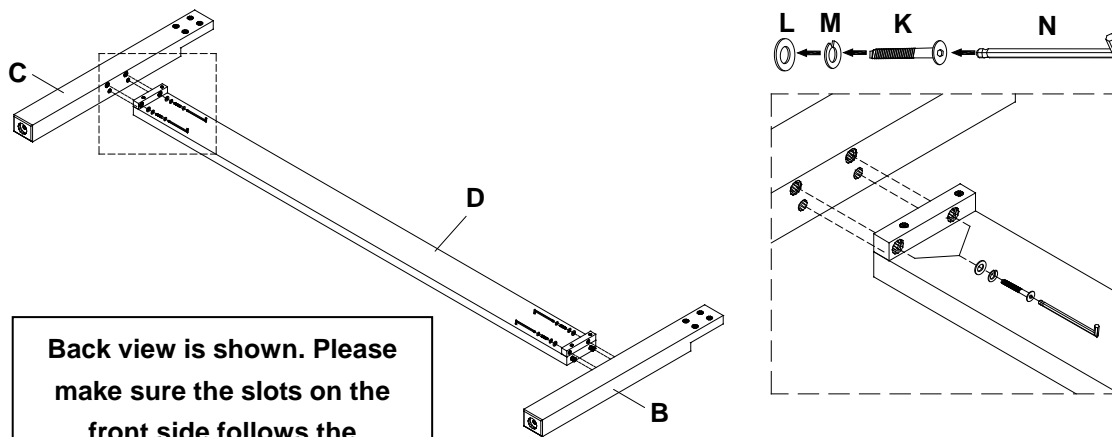
Hardware Included in Box 1:

<p>(J) Screws – (ø6 x 1¼")</p>  <p>32x</p>	<p>(K) Allen Bolts – (M6 x 40mm)</p>  <p>Queen: 12x Twin and Full : 8x</p>	<p>(L) Flat Washer</p>  <p>Queen: 12x Twin and Full: 6x</p>	<p>(M) Spring Washer</p>  <p>Queen: 12x Twin and Full: 8x</p>
<p>(N) Allen Key</p>  <p>1x</p>		<p>Tools Required (not included):</p>  <p>Phillips Head Screwdriver</p>	

Assembly Instruction Steps:

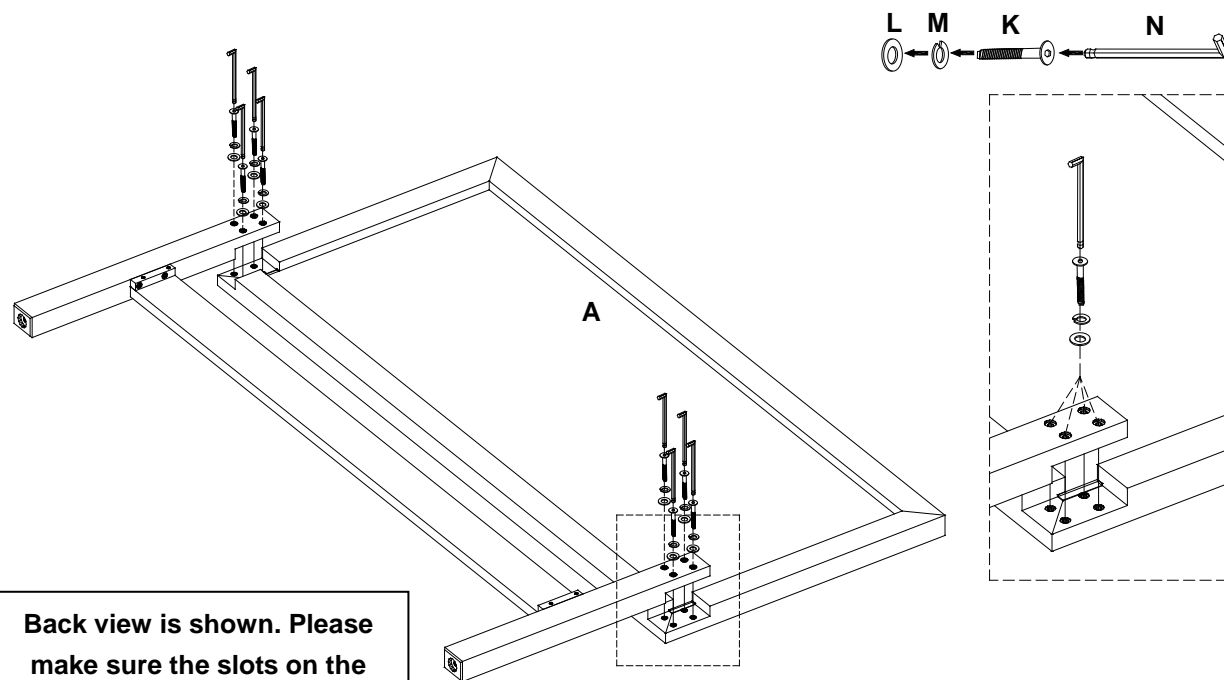
1. Assemble Horizontal Rail (D) to the Left Leg (B) Right Leg (C) by aligning the pre-installed wooden dowels into the predrilled holes. Insert 4 pcs Flat Washers (L), 4 pcs Spring Washers (M), and 4 pcs Allen Bolts (K). Tighten with the supplied Allen Key (N).

Note: Twin & Full Size does not use a Horizontal Rail (D). Proceed directly to step 2.



Back view is shown. Please make sure the slots on the front side follows the illustration on previous page.

2. Assemble Headboard (A) to the Left Leg (B) & Right Leg (C). Insert 8 pcs Metal Washers (L), 8 pcs Spring Washers (M), and 8 pcs Allen Bolts (K). Tighten with the supplied Allen Key (N).



Back view is shown. Please make sure the slots on the front side follows the illustration on previous page.

3. Determine the desired height of the side rail (F). The side rails (F) can be attached to the lower position or higher position. Attach side rails (F) to the headboard (A) and footboard (E) by inserting the hooks into the corresponding slots. Ensure connections are secure as shown in fig 1, illustration 1.

Note: The side rails must be in the high position if used with a Trundle Bed.

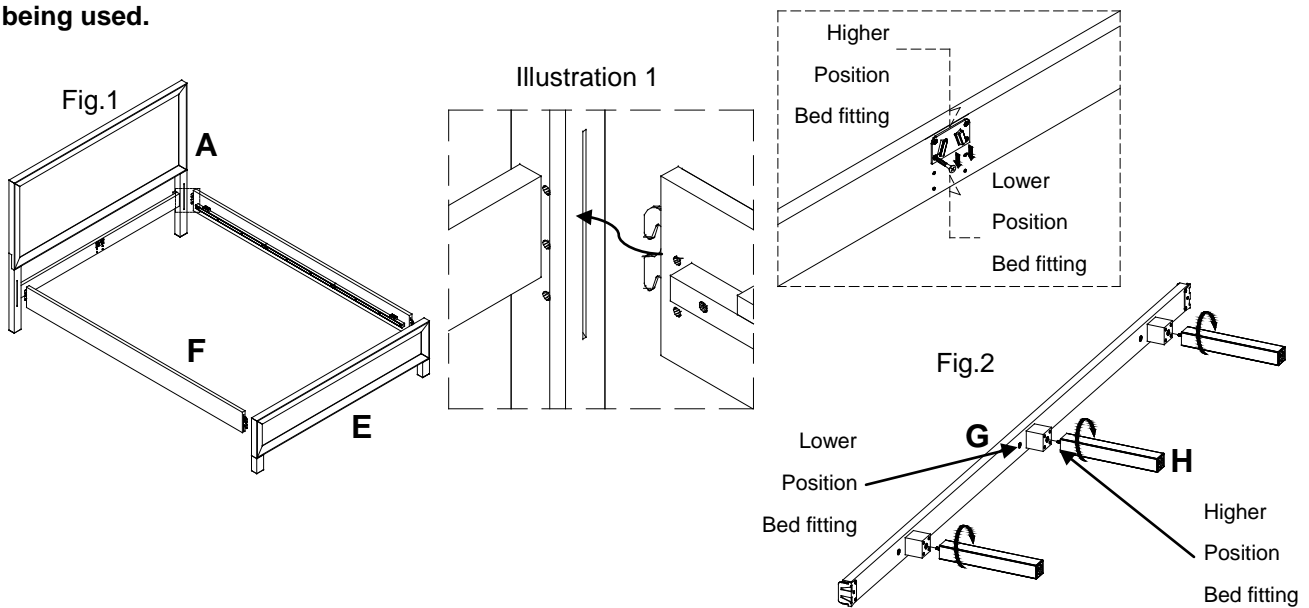
4. **Using the Mid Beam:**

Note: Twin & Full Size does not use a mid beam. Proceed directly to step 6.

For lower position, attach leg (H) onto the hole directly on Mid Beam Rail (G).

For higher position, attach leg (H) onto the hole on the wood block on Mid Beam Rail (G) as shown on fig 2.

Note: The Mid Beam can only be used in the low position and in the center when a Trundle Bed is not being used.

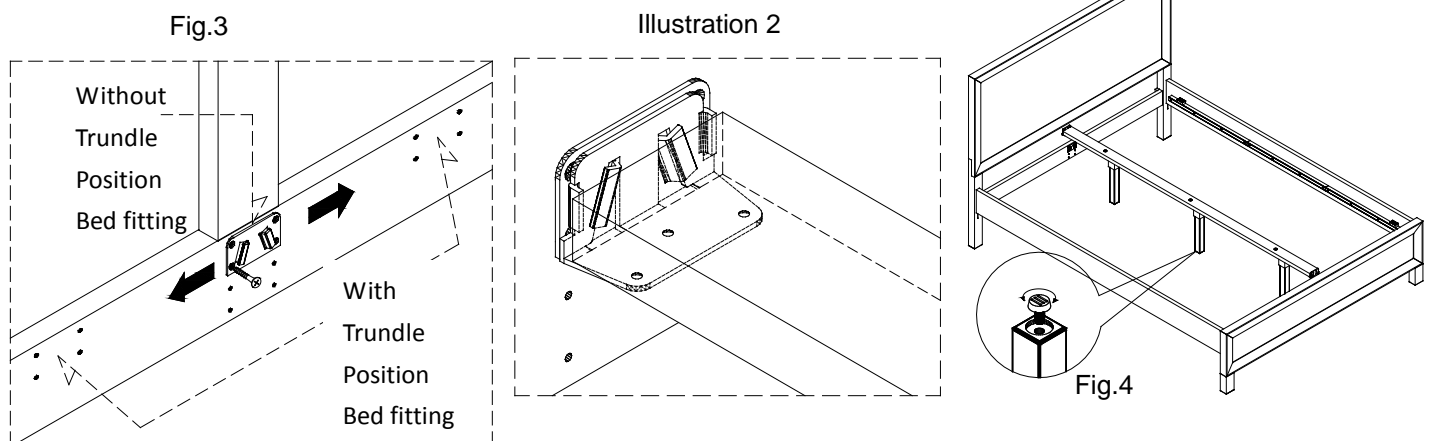


5. Attach the Mid Beam (G) to the Headboard (A) and Footboard (E) by sliding it onto the metal bracket as shown in Illustration 2.

If a trundle will be used, the position of the mid beam must be on the sides. The metal bracket on the headboard/footboard has to be moved and re-attached either on the left or right, depending where the trundle will be placed.

Remove the metal brackets on headboard (A) and footboard (E) by removing the bolts on the metal brackets as shown in fig 3. Then, re-attach the metal bracket on the desired side by re-inserting the bolts through the threaded holes.

Adjust the levelers on the bottom of the Leg Supports (H) as shown in Fig.4.



6. Lay Slat Roll (I) on top of side rail supports. Secure with 32 pcs Screws (J) using a screwdriver (not supplied) as shown on fig 5, illustration 3.

Fig.5

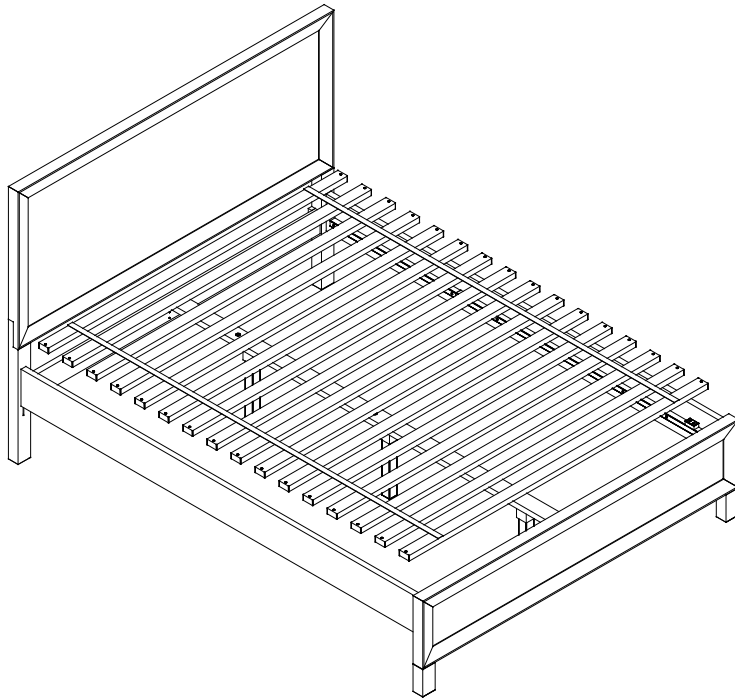
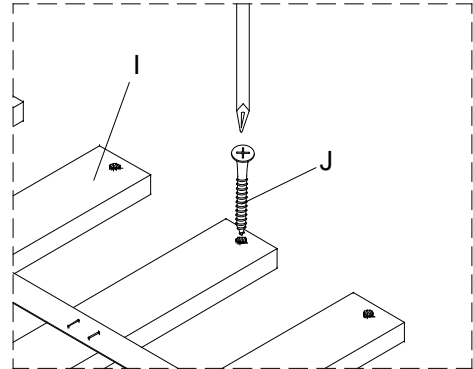
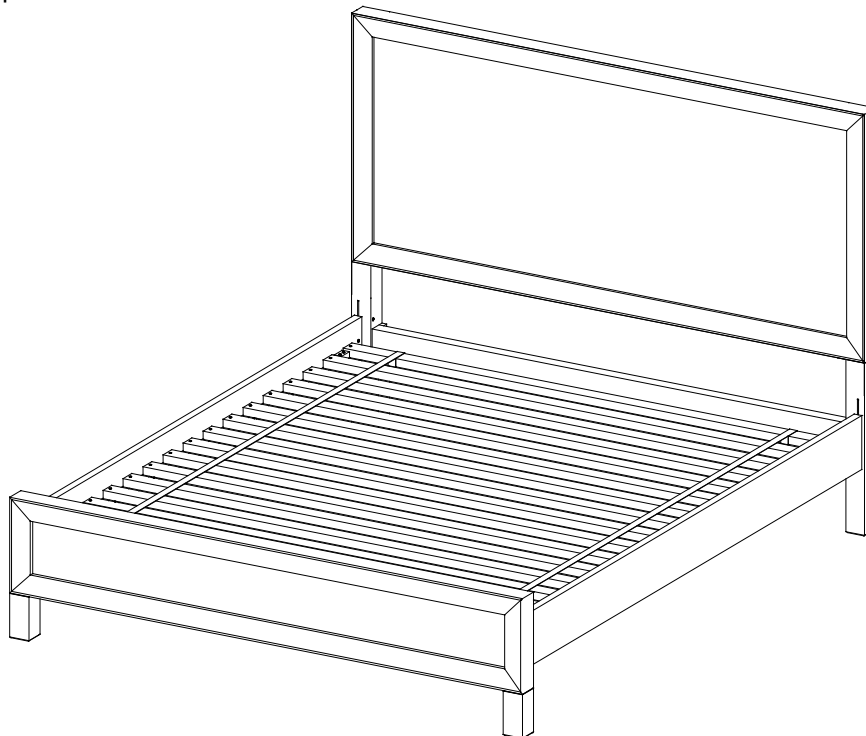


Illustration 3



Assembly is complete



Care Instructions:

- Dust often using a clean, soft, dry and lint-free cloth.
- Blot spills immediately and wipe with a clean, damp, cloth.
- We do not recommend the use of chemical cleaners, abrasives or furniture polish on our Lacquered finish.
- Hardware may loosen over time. Periodically check to make sure all connections are tight.
- Re-tighten if necessary.