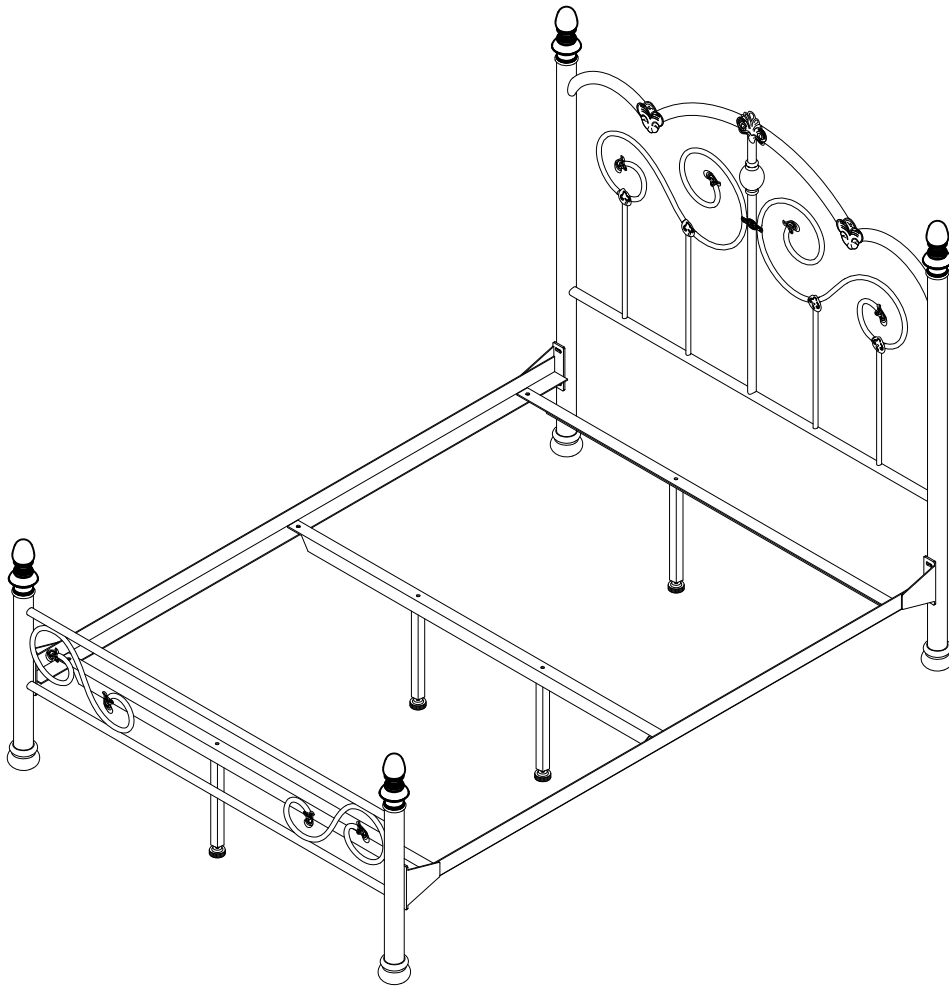




Amanda Iron Bed-Queen



PRE-ASSEMBLY:

- Please read all instructions before assembling and keep instructions for future use.
- For your safety, assembly by two or more adults is strongly recommended.
- Remove all parts and hardware from box(s) and lay out on a clear carpeted or scratch free work surface (the shipping box should provide an ideal work surface). Do not dispose of any contents until assembly is complete to avoid accidentally discarding small parts or hardware.
- Use the parts and hardware list(s) to identify, separate, and count all of the pieces included in the hardware pack prior to assembly.
- If using power tools to aid in assembly, please use caution. Power tools can damage hardware and/or components.

TOOLS REQUIRED:

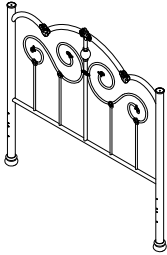


Allen Wrench

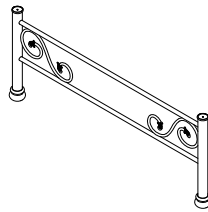


Open Wrench

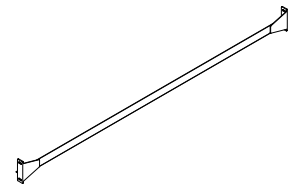
PARTS INCLUDED:



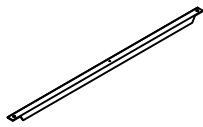
A - Headboard - 1pc



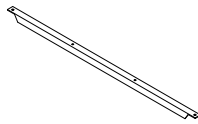
B - Footboard - 1pc



C - Side Rail - 2pcs



D - Slat - 2pcs



E - Middle Slat - 1pc



F - Support Leg - 4pcs

HARDWARE LIST:



G - Long Bolt - 12pcs



H - Spring Washer - 14pcs



I - Flat Washer - 24pcs



J - Plastic Flat Washer - 8pcs



K - Nut - 6pcs



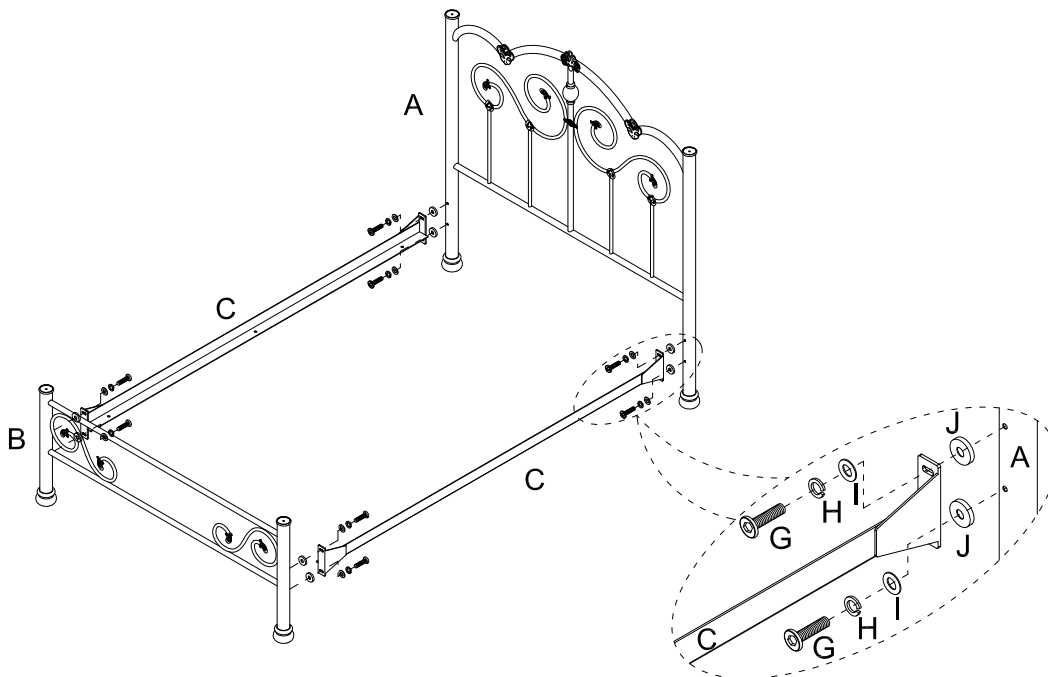
L - Short bolt - 6pcs



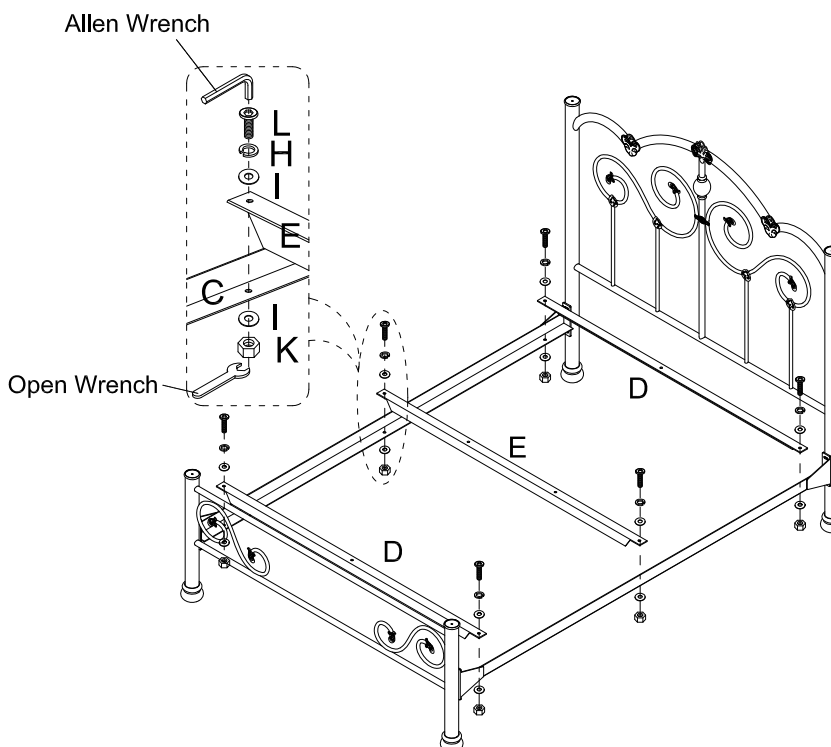
M - Finial - 4pcs

ASSEMBLY INSTRUCTIONS:

Step 1 : Attach Side Rail (C) to Headboard (A) and Footboard (B) using Long Bolt (G), Spring Washer (H), Flat Washer (I), and Plastic Flat Washer (J), tighten by hand at first, securely tighten all bolts with Allen Wrench, but do not over tighten the bolts.



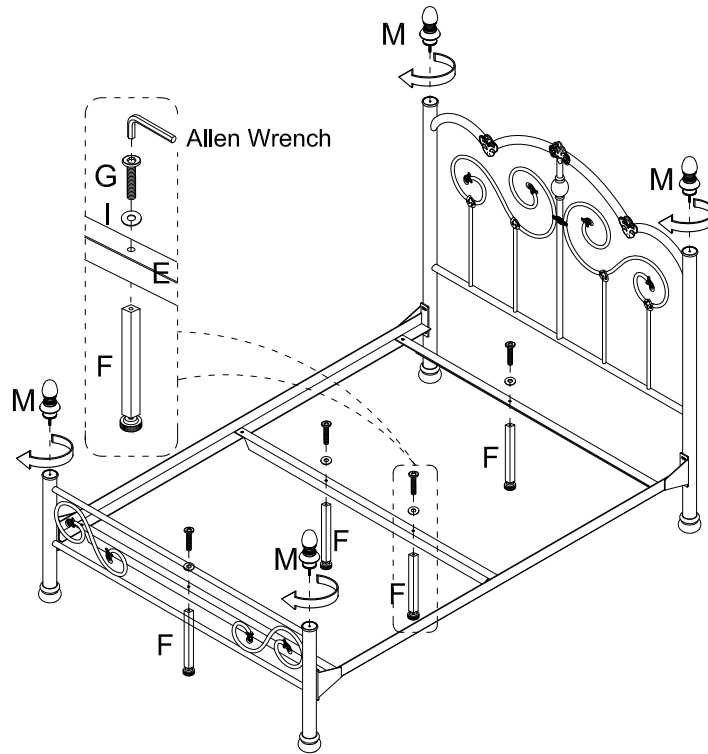
Step 2 : Attach Slat (D) and Middle Slat (E) to Side Rail (C) using Short Bolt (L), Spring Washer (H), Flat Washers (I) and Nut (K), tighten by hand at first, securely tighten all bolts and nuts with Allen Wrench and Open Wrench as shown, but do not over tighten the bolts and nuts.



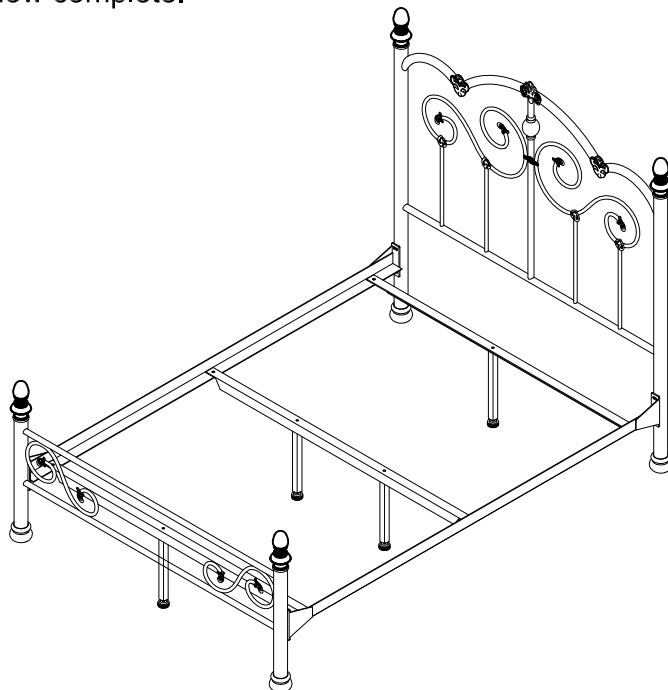
Step 3 :

Screw Finial (M) into the hole on top of Headboard (A) and Footboard (B) as shown.

Attach Support Legs (F) to Slats (D) and Middle Slat (E) using Long Bolt (G) and Flat Washer (I), tighten by hand at first, securely tighten all bolts with Allen Wrench, but do not over tighten. Adjust the height of each Support Leg (F) by turning adjustable levelers on the bottom of Support Leg (F) clockwise to lower and counterclockwise to raise.



Step 4 : The assembly is now complete.

**CARE INSTRUCTIONS:**

- Hardware may loosen over time. Periodically check to make sure all connections are tight. Re-tighten if necessary.
- Wipe with a soft, dry cloth.
- To protect the finish, avoid the use of all chemicals and household cleaners.