



Style tile with rails (32"x32")

Note: This hanging system is meant for drywall/wood stud mounting only. If your walls are made of concrete, brick or plaster, please consult your local hardware store for assistance. We recommend that two people work together to install this item.

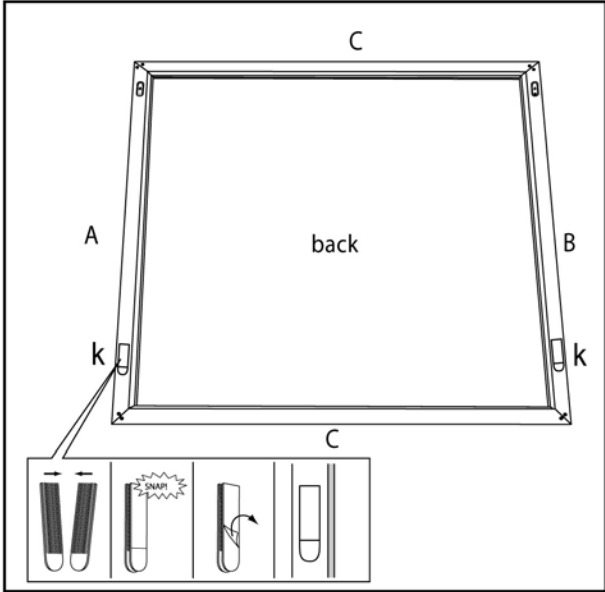
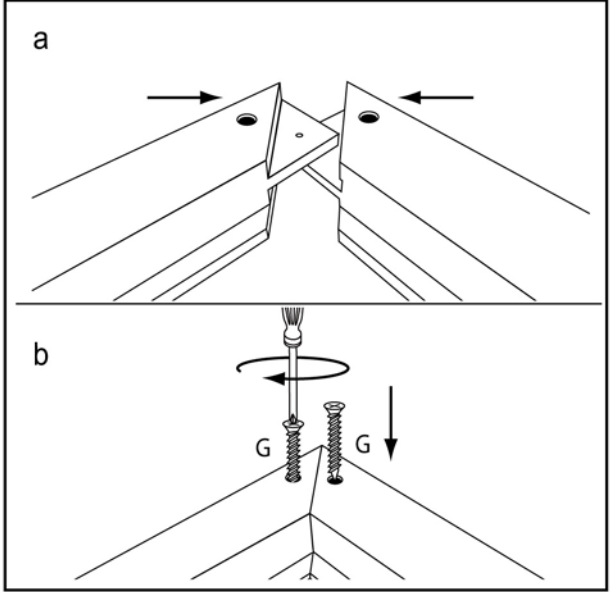
Parts Included:

A	B	C	D	E	F	G	H	L
				8pcs	8pcs	8pcs	8pcs	
				I	J	K		
					 wall-mount bracket on style tile (Not included with rails)			
1pc	1pc	2pcs	2pcs	8pcs	4pcs	2 Set		Template

Tools Required: Screwdriver, Level, Tape measure, Pencil

Assembling the Frame:

The frame is square and is made up of four rails, one of A, one of B, and two of C. Each rail includes a shaped end that is designed to engage with the end of another rail. The rails are connected to each other to form the frame, as described below:

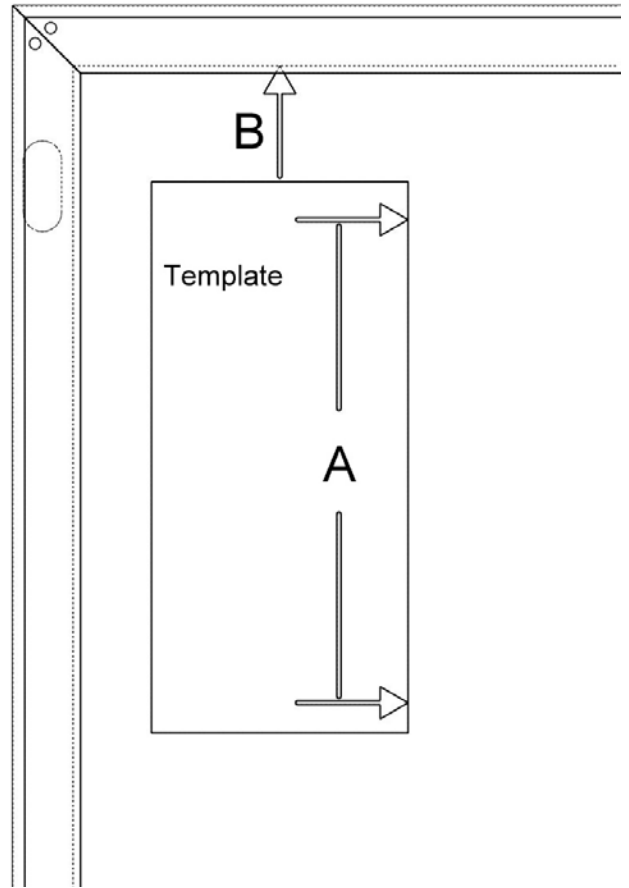


Mounting the Frame to the Wall:

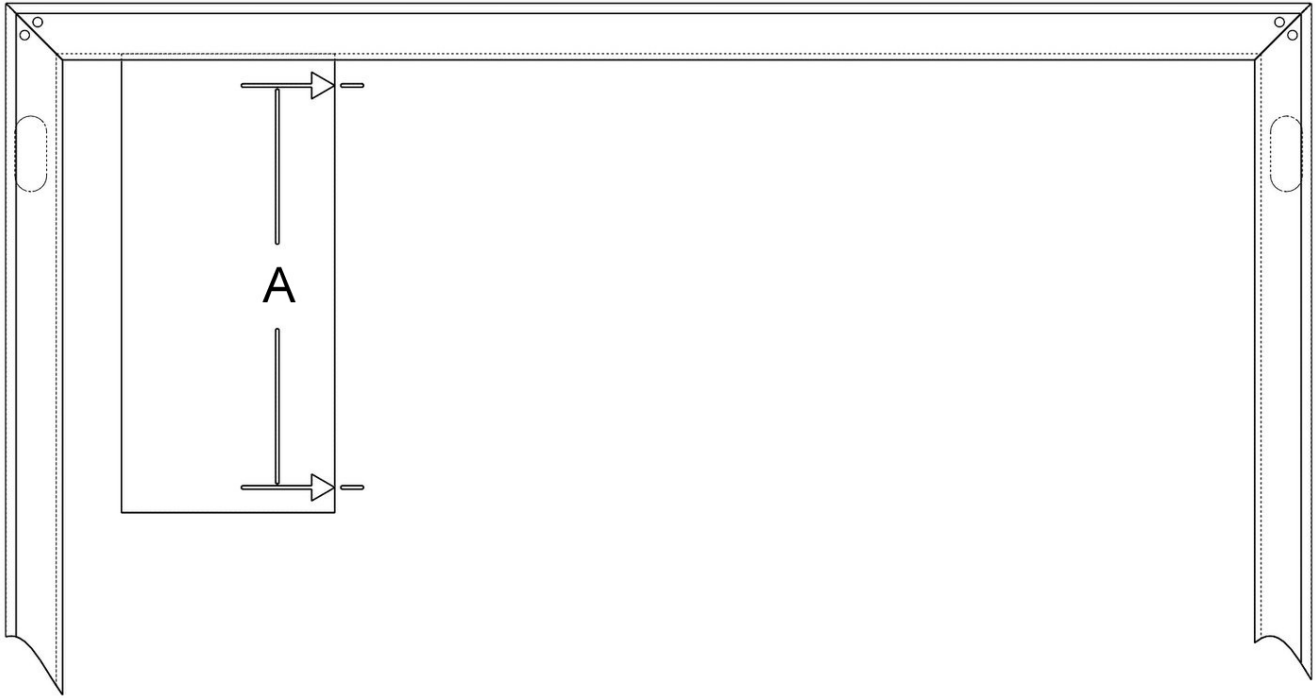
- 1) Connect the rails to each other as shown in the above illustrations making sure that rails A and B are located opposite each other (form each side of the frame). Wiggle two adjacent rail ends into locking engagement with each other as shown in Fig. a, making sure that the joint is tight and that the joined rails are perpendicular to each other. Secure a provided screw (G) into the pre-drilled holes located adjacent to the joint. Rotate the screws clockwise until tight – Do not over-tighten! Repeat this step for the remaining frame connections until the frame is fully assembled.
- 2) With the help of two other people, hold the assembled frame against a wall at a desired mounting location so that the two D-rings are located at the top of the frame AND are facing away from the wall so that you can see them.
- 3) Use a level to make sure that the frame is level and then use a pencil to make a light mark on the wall immediately adjacent to each D-ring AND on each side of the frame so that each D-ring will include a mark on each side for a total of four light pencil marks. Set the frame aside. The location of each D-ring is in the middle of each pair of marks. Use a pencil to make an “anchor mark” at the midpoint between each pair of marks
- 4) The anchors provided with this item are designed to penetrate drywall, not wood. We have to determine if either of the two anchor marks of Step (3) happens to align with an internal wall stud – use a stud-finder to determine this. If each mark does align, then use a screwdriver to secure ONLY a provided screw at this mark directly into the wall and stud - do not use an anchor at the stud location. Rotate the screw clockwise until the screw head is about 3/8” from the wall. This protruding portion of the screw will engage one of the two D-rings of the frame.
- 5) For each mark that doesn't align with a wall stud a provided anchor has to be installed before we secure a provided screw. To install an anchor, use a Phillips screwdriver to engage the anchor (E) and position the tip of the anchor against the wall at one of the anchor marks. Firmly push the anchor into the wall as you rotate it clockwise. The anchor is designed to drive itself into the wall as it is rotated. Continue rotating the anchor until the flange of the anchor becomes even with the surface of the wall. Repeat this step for the other anchor.
- 6) Again, use the screwdriver to secure a screw into the installed anchor. Rotate the screw clockwise until the screw head is about 3/8” from the wall. This protruding portion of the screw will engage one of the two D-rings located on the back of the rail. Repeat for the other screw and anchor.
- 7) Preferably with the help of another person, lift the assembled frame so that the two D-rings align and engage with the protruding screw heads on the wall. Gently lower the frame until the screws support its weight.

Mounting the Tile Supports to the Wall:

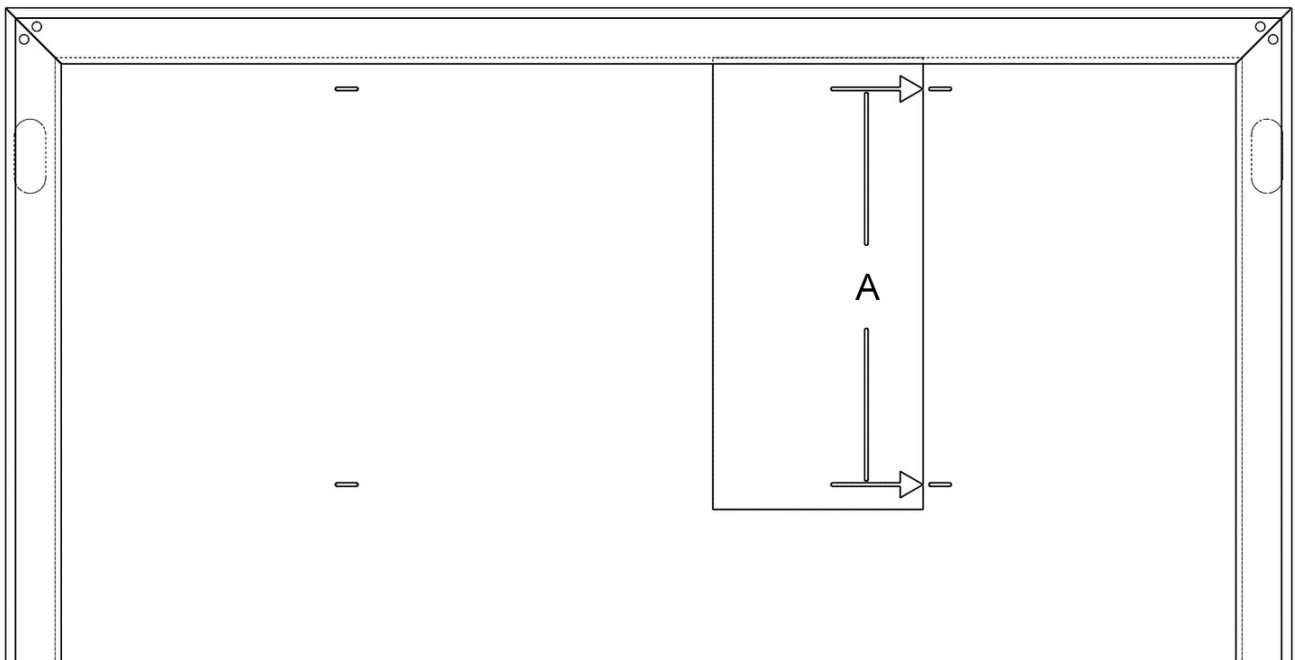
8. Hold the provided template against the wall within the mounted frame near the upper left side corner. Slide the top edge of the template up so that it contacts flush against the frame as illustrated by Arrow B in the adjacent figure. Note that the upper template edge must contact the main part of the frame member that is adjacent the wall surface and not against the thin overhang portion which is located away from the wall.



9. While holding the template in this position, use the two horizontal arrows to make two marks on the wall that are spaced a distance (A) from each other, as illustrated below. These marks will help align the cleat supports (D) as explained in greater detail below.

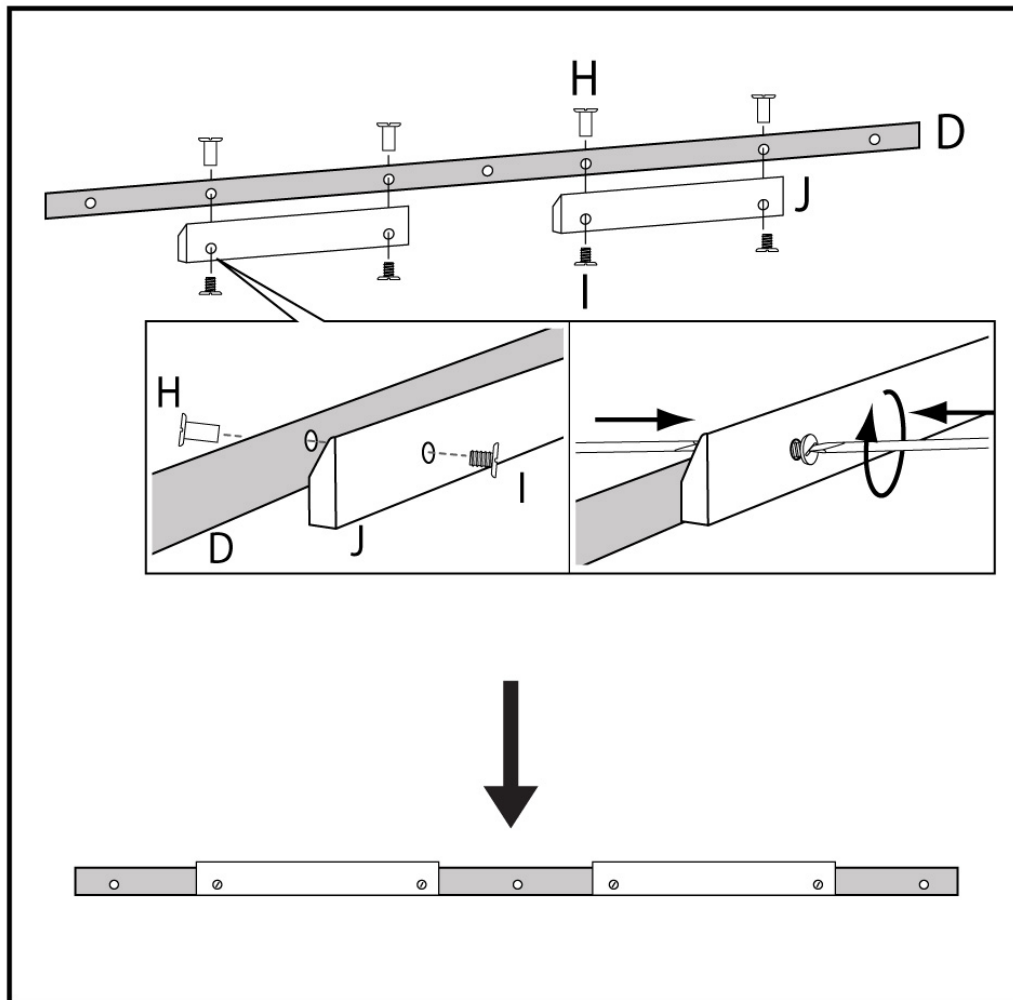


10. Slide the template to the right while maintaining the upper edge contact with the frame and make two additional marks on the wall, again spaced a distance (A) from each other, as illustrated below. There should now be four marks on the wall that define two rows, an upper row and a lower row.



Attach the Cleats to the Cleat Support Bars:

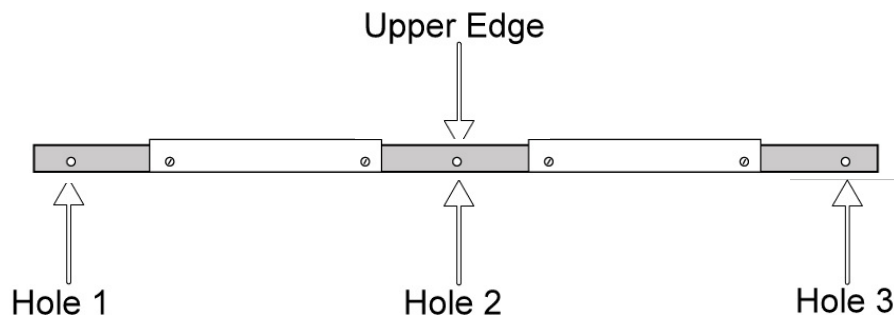
12. Each tile of the array is supported by a wooden cleat (J). Each cleat (J) is attached to a support bar (D) using two screws (I) and two post nuts (H). Depending on the size of the array, each support bar (D) will hold either two or three cleats. Use a screwdriver to secure each cleat (J) to the support bar (D), as shown below. Align the two holes of a cleat with two holes of the support bar (second and third from the left, and second and third from the right). Insert the provided screws through the cleat holes and then through the holes of the support bar. Engage the screw threads with a provided post nut on the bar side and use a screwdriver to tighten each screw so that the cleat becomes securely fastened to the support bar.



Mount the Assembled Cleat Support Bars to the Wall:

13. The frame has to be removed from the wall before we can mount the assembled support bars, but before you do, use a pencil to gently mark the wall along the outside of the mounted frame in line with the upper row of marks. These marks will be used to center the upper support bar in this step.

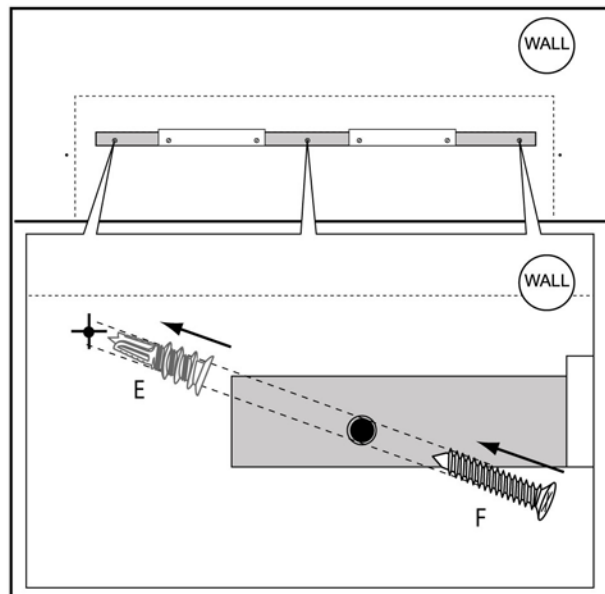
Position one of the two assembled support bars (D) against the wall so that the upper edge of the metal support bar aligns with the two (upper row) marks you made in Steps (8-11). Make sure that the sharp edges of the cleats all face up. Center the support bar (D) within the two marks you made at the beginning of this step and then use a pencil to mark the wall through each of the three open holes of the bar (holes, 1, 2, and 3), as illustrated below. Set the bar (D) aside.



14. Use a screwdriver to secure a provided anchor (E) into the wall at each mark. If any of the marks happen to align with a wall stud (use a stud-finder to determine this), then do not install an anchor, but instead install only a screw when instructed to do so below. To install an anchor at a mark, engage the screwdriver to an anchor and align the anchor tip at one of the marks. Push the anchor firmly into the wall as you rotate it clockwise. The anchor will drive itself into the wall like a screw. Continue rotating until the wide end of the anchor becomes even with the wall. Repeat this step with the other marks and anchors.

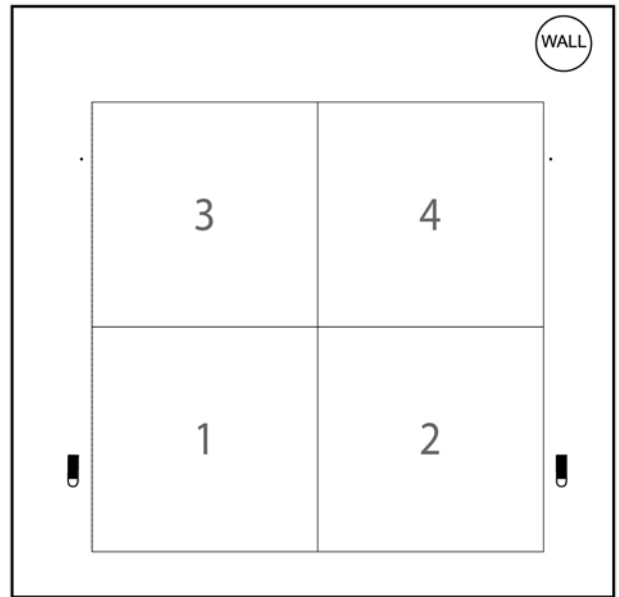
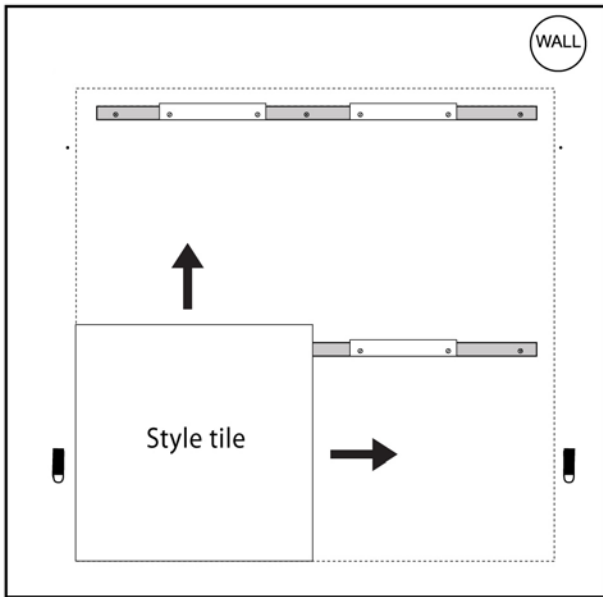
15. Return the support bar to the wall so that the three holes, 1, 2, and 3 align with the installed anchors (or the marks that align with a wall stud). Again, make sure that the sharp edge of the cleats all face up towards the ceiling. Use the screwdriver and the provided screws (F) to secure the support bar (D) to the wall. Insert a screw through each hole of the support bar and into each installed anchor or directly into the wall and wall-stud. Rotate the screwdriver clockwise until the screw is tight.

16. Repeat steps 13-15 to mount the lower support bar (D) to the wall aligning with the lower row of marks. Use the mounted upper support bar to horizontally align the second lower support bar (D).



Mount the Tiles to the Support Bars:

The hard part is now over. Installing the different tiles to the mounted cleats is easy and fun. Once you decide the tile arrangement, the lower tiles must be mounted first, as shown below. Each tile includes an integral lip that engages with any of the cleats.



17. Position a tile over a selected cleat and then simply lower the tile until it engages the cleat. You can move the engaged tile side to side along the cleat a small amount to adjust its position horizontally. Continue positing other tiles on adjacent cleats, following the installation order shown in the above RIGHT illustration until all the tiles are installed.

Re-Attach the Frame Around the Installed Tiles:

18. Perhaps with the help of another person, lift the assembled outer frame and position it against the walls around the array of installed tiles. You may have to slide some of the tiles horizontally left and right to get the frame to fall into place. The D-rings of the frame should align and engage with supported by the installed screws of earlier steps.
19. Use the provided 3M command strips to hold the lower portion of the frame against the wall. Firmly press 3M command strips for 30 seconds.

Care Instructions:

Clean with a dry or slightly damp soft cloth. Dust often.
Do not apply any harsh chemicals or abrasive household cleaners to this item.