



31614 Maison Bed with Canopy - Full size

PRE-ASSEMBLY:

- Please read all instructions before assembling.
- Three or more people is recommended for assembly.
- Save all packing materials until assembly is complete to avoid accidentally discarding smaller parts or hardware.

TOOLS REQUIRED:

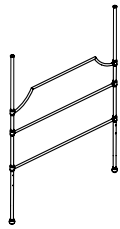


Allen Wrench

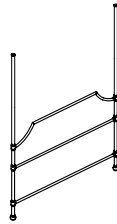


Open Wrench

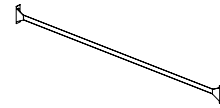
PARTS INCLUDED:



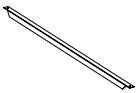
A - Metal Headboard - 1pc



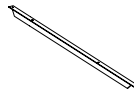
B - Metal Footboard - 1pc



C - Metal Side Rail - 2pcs



D - Side Metal Slat - 2pcs



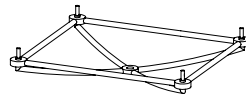
E - Middle Metal Slat with two predrilled holes - 1pc



F - Metal Short Support Leg - 2pcs



G - Metal Long Support Leg - 2pcs



H - Metal Canopy Frame - 1pc



I - Metal Canopy Rail - 4pcs

HARDWARE LIST:



a - Short Bolt - 8pcs



b - Medium Bolt - 6pcs



c - Long Bolt - 10pcs



d - Spring Washer - 14pcs



e - Flat Washer - 22pcs



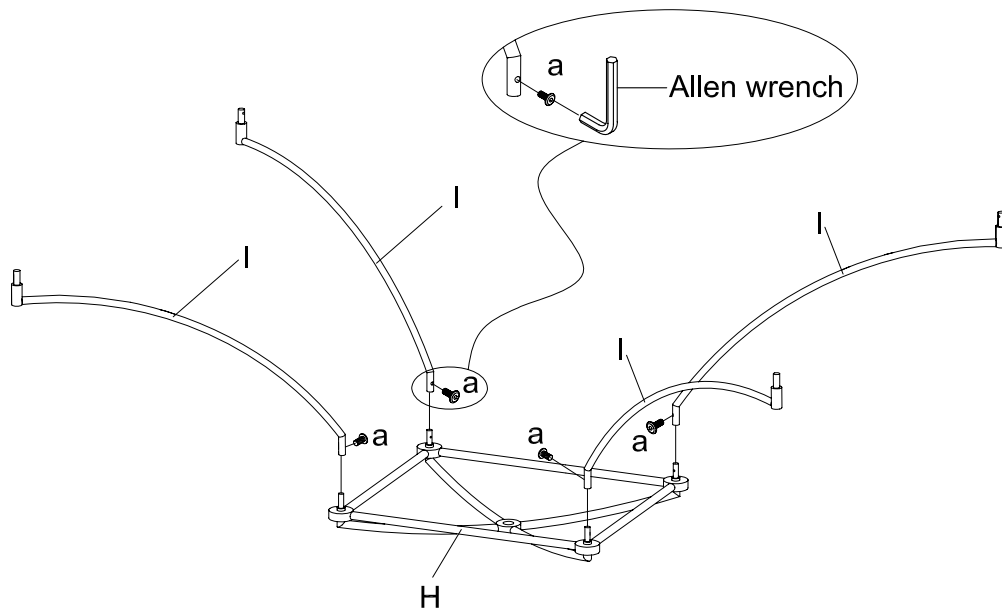
f - Plastic Flat Washer - 8pcs



g - Nut - 6pcs

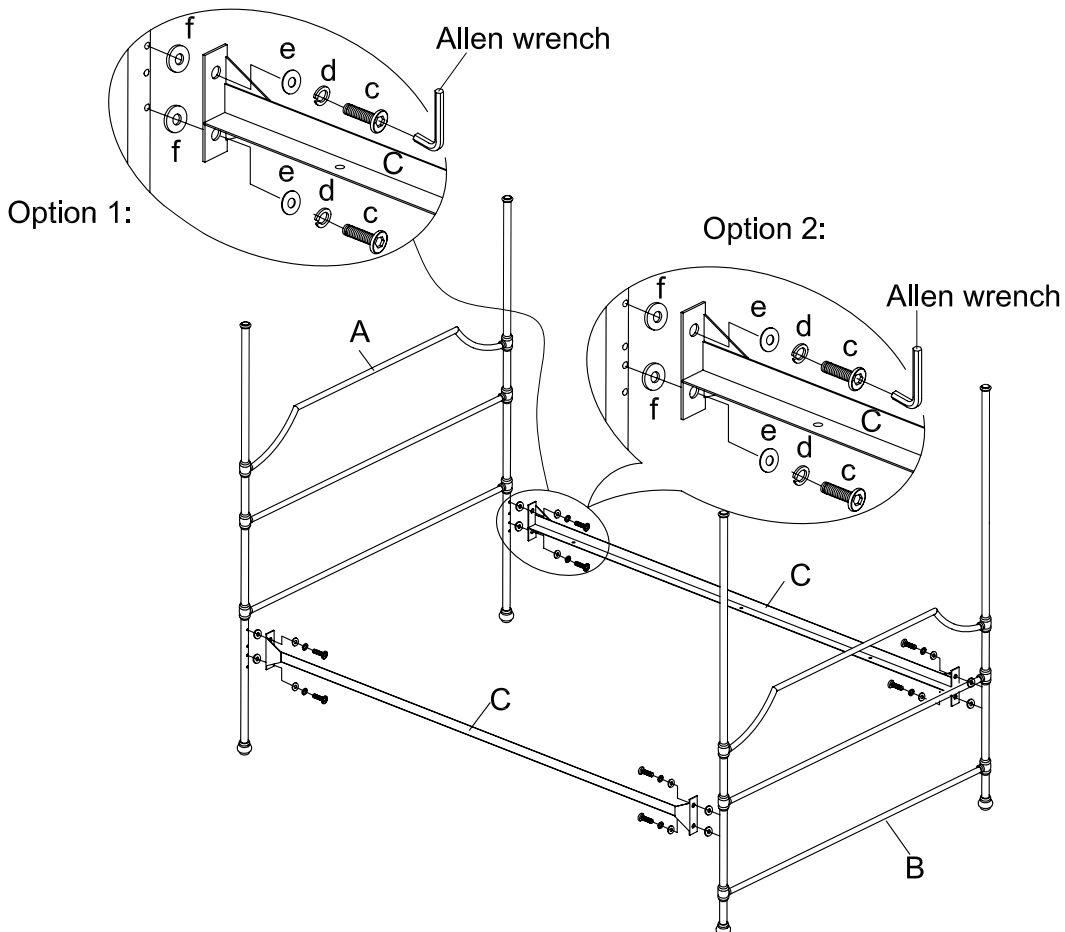
ASSEMBLY INSTRUCTIONS:

Step 1 : Attach metal canopy rail (I) to metal canopy frame (H) using short bolt (a), tighten by hand at first, securely tighten the bolts with Allen wrench, but do not over tighten the bolts.

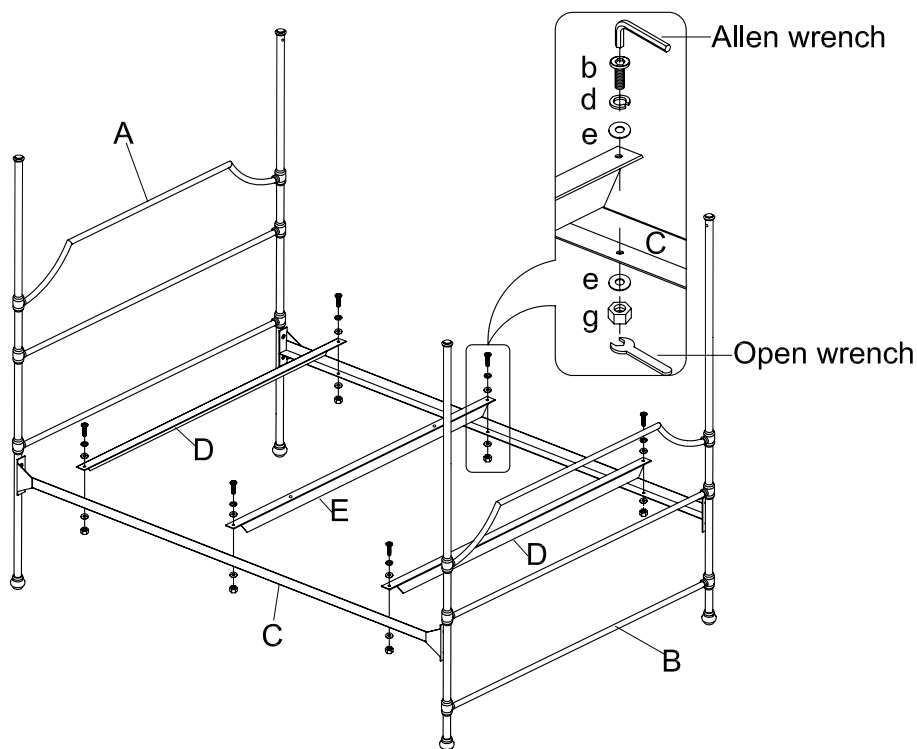


Step 2 : Attach metal side rail (C) to metal headboard (A) and metal footboard (B) using long bolt (c), flat washer (e), spring washers (d) and plastic flat washer (f), tighten by hand at first, securely tighten the bolts with Allen wrench, but do not over tighten bolts.

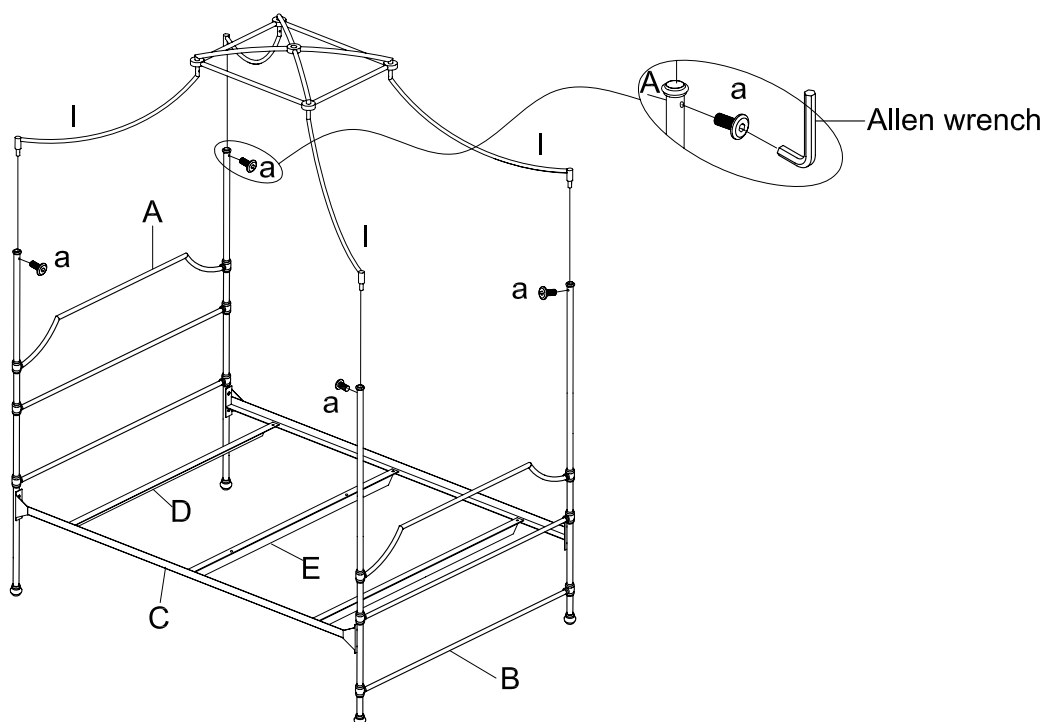
Note: there are two locations to install the side rails. Side rails locate on lower location (See Option 1), side rail locate on upper location (See Option 2).



Step 3 : Attach the side metal slats (D) and middle metal slat with two predrilled holes (E) to the metal side rail (C) using medium bolt (b), flat washer (e), spring washers (d) and nut (g), tighten by hand at first, securely tighten all bolts and nuts with Allen wrench and open wrench as shown, but do not over tighten bolts.

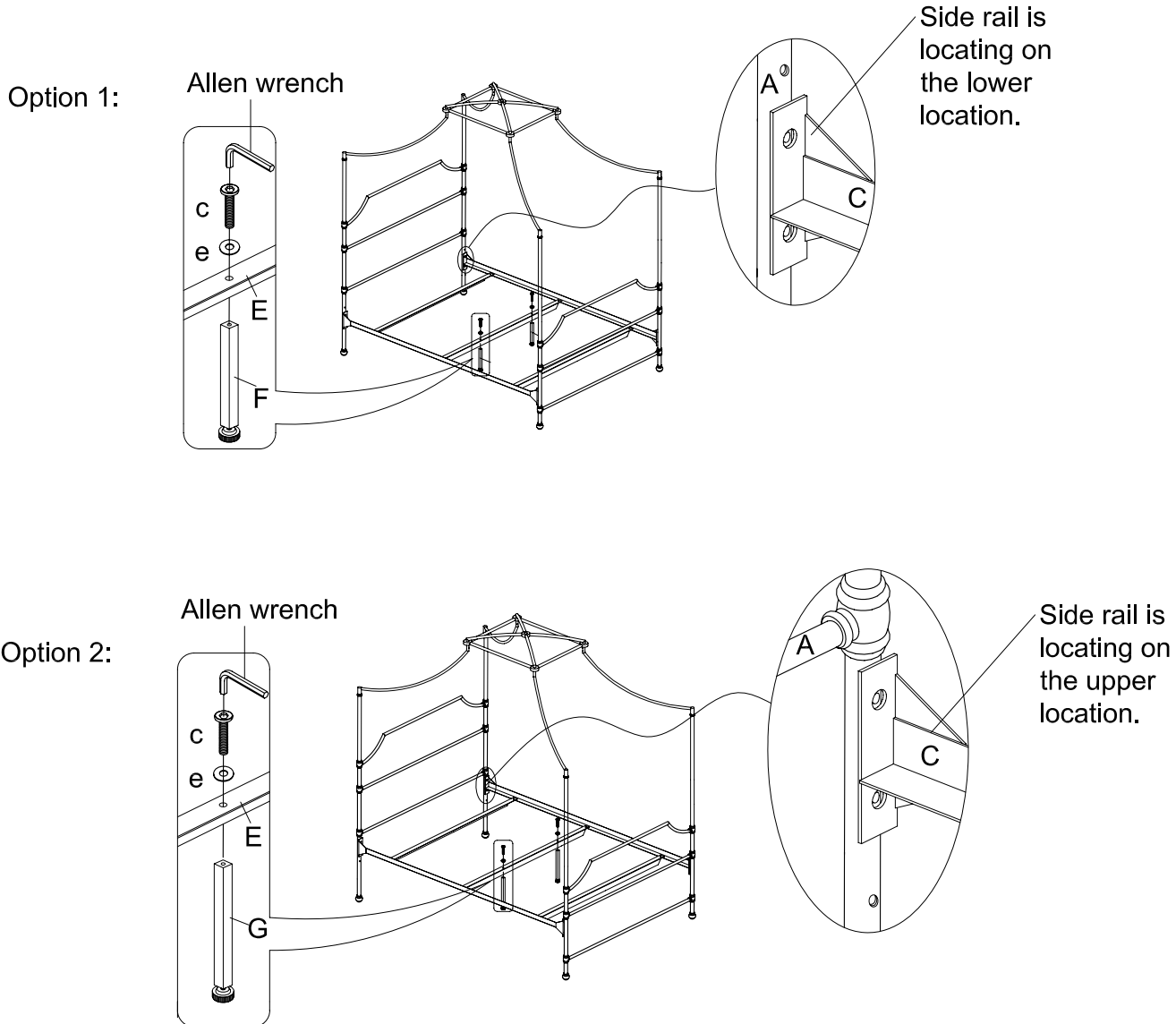


Step 4 : Attach the assembled canopy to the post of headboard (A) and metal footboard (B) using short bolt (a), tighten by hand at first, securely tighten the bolts with Allen wrench, but do not over tighten the bolts.



Step 5 :

Choose short or long metal support leg (F or G) to the middle slats according to which optional side rails location chose on **Step 2**. **Note:** Side rail locate on lower location comes with short support legs (See Option 1) , side rail locate on upper location will come with long support legs (See Option 2) . Attach the support legs to the middle slats using long bolt (c) and flat washer (e), tighten by hand at first, securely tighten all bolts with Allen wrench, but do not over tighten the bolts. Adjust the height of each short support leg (F) by turning adjustable levelers on the bottom of short support leg (F) clockwise to lower and counterclockwise to raise.



Step 6 : The assembly is now complete.

CARE INSTRUCTIONS:

- Wipe with a soft, dry cloth.
- To protect the finish, avoid the use of all chemicals and household cleaners.