

P O T T E R Y B A R N

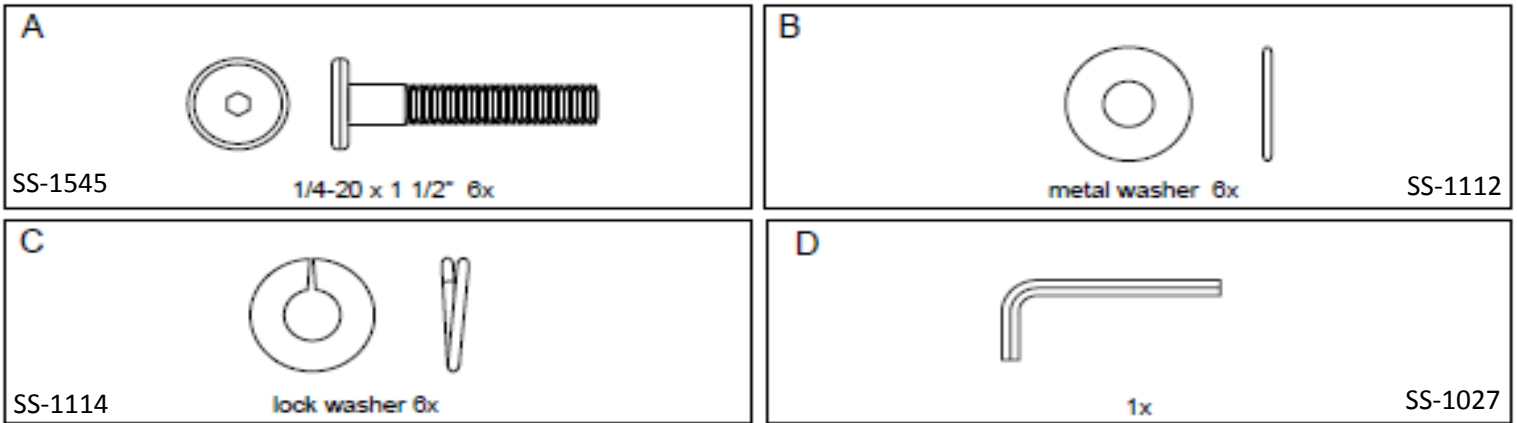
WILLIAMS
SONOMA
HOME

pottery barn kids

PB
teen

Headboard Only Assembly Instructions (If Using A Universal Metal Bed Frame)

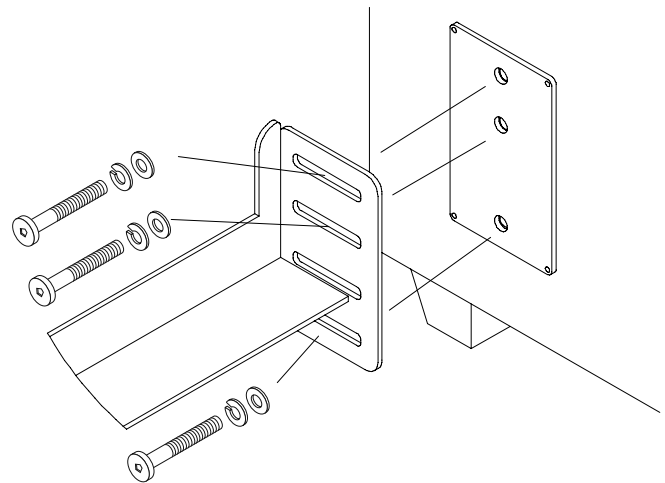
Required Tools: provided with hardware



Important instructions:

- Do not throw away packaging materials until assembly is complete.
- Assemble this item on a soft surface, such as cardboard or carpet, to protect finish.
- Proper assembly of this item requires 2 people.

Align metal frame. Insert bolt (A), lock washer (C), and metal washer (B).
Tighten with supplied hex key (D).



EXCLUSIVE AND CONFIDENTIAL PROPERTY OF WILLIAMS SONOMA, INC.

© 2020 Williams-Sonoma, Inc. All rights reserved, including all applicable copyright, design and patent rights.
Any unauthorized reproduction, adaptation, distribution or other infringement will be prosecuted.