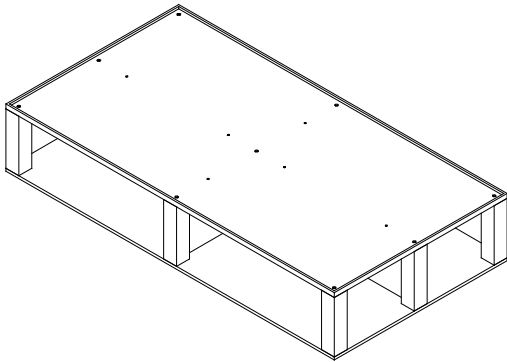


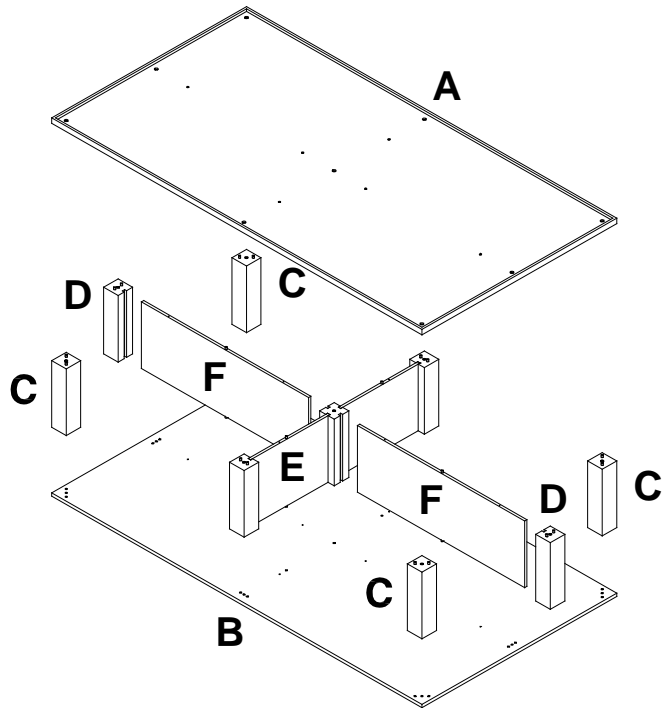


LOUNGEABOUT DAYBED



PARTS INCLUDED:

- (A) Top Panel – 1pc
- (B) Bottom Panel – 1pc
- (C) Post – 4pcs
- (D) Post with Chute – 2pcs
- (E) Divider with Chute – 1pc
- (F) Divider


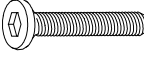


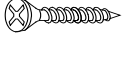


TOOLS REQUIRED:

Philips Screwdriver(Not included)



HARDWARE LIST:

 (G) Allen Key – 1x	 (H) Bolt (1/4"x32mm) – 18x	 (I) Spring Washer (1/4") – 18x
 (J) Flat Washer (1/4") – 18x	 (K) Wood Screw (4x25mm) – 12x	

PRE-ASSEMBLY:

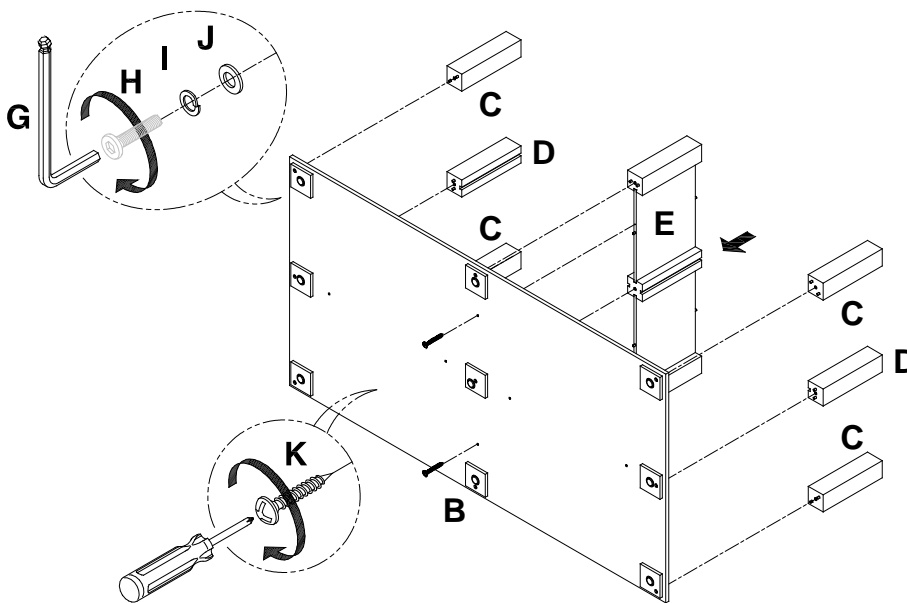
- For your safety and ease, assembly by two adults is recommended.
- Please read all instructions before beginning assembly. The illustrations provided allow for easier assembly when used in conjunction with the assembly instructions.
- Remove all parts and hardware from box and lay out on a carpeted or scratch-free work surface. The shipping box provides an ideal work surface. Do not dispose of any contents until assembly is completed to avoid accidentally discarding small parts or hardware.
- Use the parts and hardware lists to identify and separate each of the pieces included prior to starting assembly.
- Note: DO not fully tighten the bolts until all parts are in place. Failure to follow these instructions may cause the bolts to misalign during assembly.
- Do not use power drill as it may cause cracking.

ASSEMBLY INSTRUCTIONS:

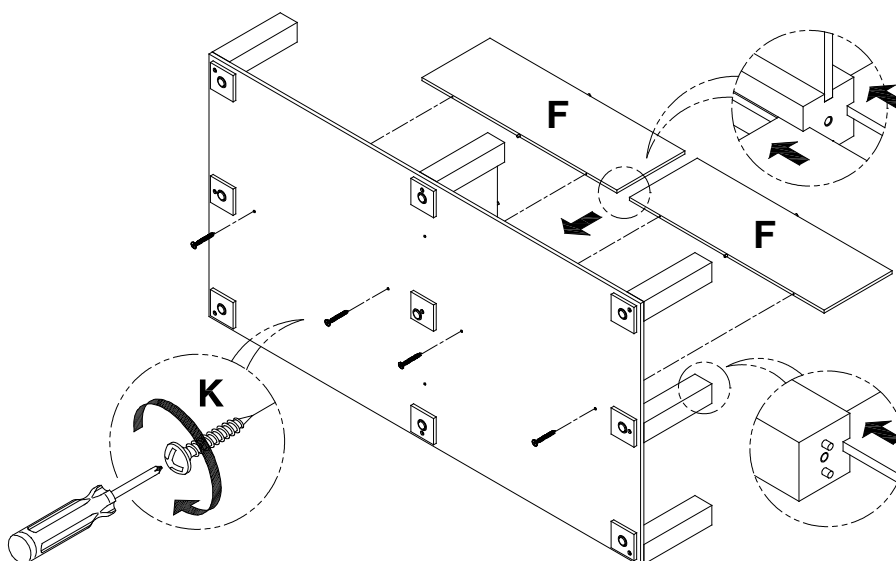
1. Slide a Spring Washer (I) and a Flat Washer (J) onto each Bolt (H). Attach Post (C) to each corner of the Bottom Panel (B). Insert the bolts with washers from bottom of Bottom Panel (B) into each Post (C) and tighten with Allen Key (G).

Attach (2x) Post with Chute (D) to the corresponding holes located in the middle of the two short sides of Bottom Panel (B), as shown below. Insert the bolts with washers from bottom of Bottom Panel (B) into each Post with Chute (D) and tighten with Allen Key (G).

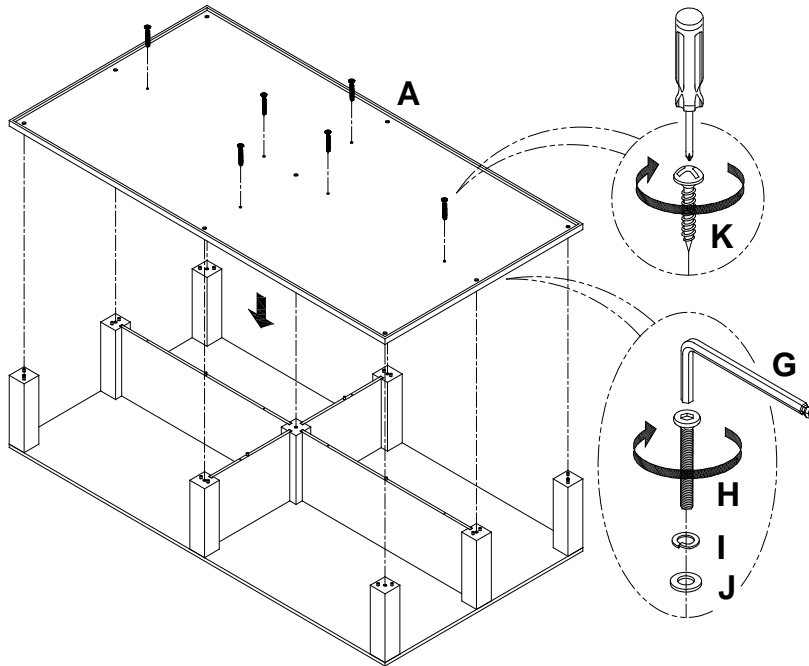
Attach Divider with Chute (E) to the Bottom Panel (B) with the 3 posts of the divider fitting to the corresponding holes on Bottom Panel (B), as shown below. Insert the bolts with washers from bottom of Bottom Panel (B) into each of the 3 posts and tighten with Allen Key (G). Use (2x) Wood Screw (K) from bottom of the bottom panel (B) to secure Divider with Chute (E).



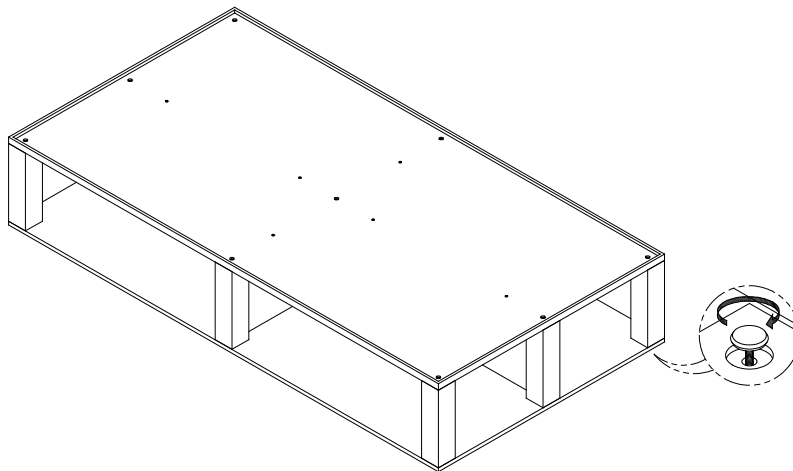
2. Slide (2x) Divider (F) into the place with one end along the chute of Post with Chute (D) and the other end along the chute of the central post on Divider with Chute (E). Use (4x) Wood Screw (K) from bottom of the bottom panel (B) to secure the two Divider (F).



3. Turn the assembled piece upright. Align and place Top Panel (A) onto the assembled piece. Insert the remaining (9x) bolts with washers from Top Panel (A) into each Post and tighten with Allen Key (G). Use the remaining (6x) Wood Screws (K) to secure the Top Panel to Dividers. Check alignments and tighten all connecting bolts.



4. Turn levelers located on bottom corners in and out to keep item level as needed.



CARE INSTRUCTIONS:

- Dust often using a clean, soft, dry lint-free cloth.
- Blot spills immediately, and wipe with a clean, damp, cloth.
- We do not recommend the use of chemical cleansers, abrasives, or furniture polish on our lacquered finish.