



Locker 8-Drawer Dresser

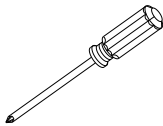
PRE-ASSEMBLY:

- Please read all instructions before beginning assembly.
- Two-adult assembly is recommended.
- Save all packing materials until assembly is complete to avoid accidentally discarding smaller parts or hardware.

Note: If using power tools to aid in assembly please use with caution. Power tools can damage hardware.

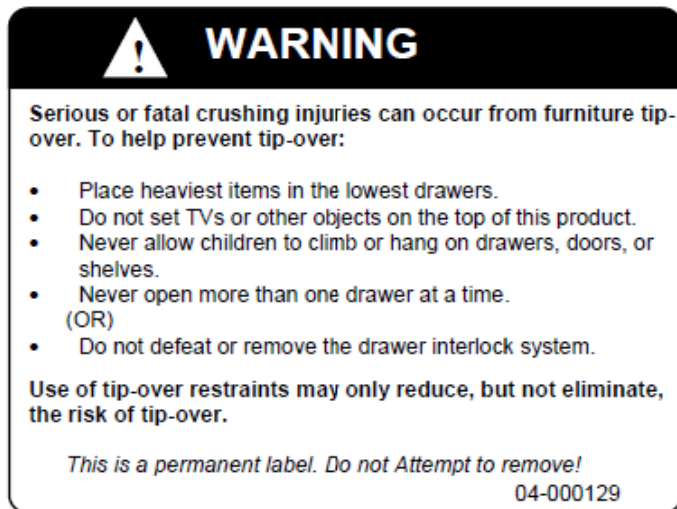
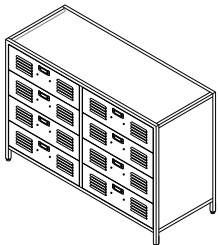
Note: Do not full tighten all bolts until all parts are in place. Failure to follow these instructions may cause the bolts to misalign during assembly.

TOOLS REQUIRED:



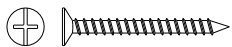
Phillips Head Screwdriver (Not included)

PARTS INCLUDED:

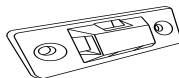


Please note that the warning label is attached to the inside of the side panel.

HARDWARE LIST:



a – Stud Mounting Screws – 2pcs



b – Anti-tip Bracket – 1pc



c – Anti-tip Strap – 1pc

Note: All parts and hardware are delivered in one carton.

Assembly Instructions:

1. Adjustable Levelers have screwed into the legs of Frame. If dresser is not level you may slowly unscrew the adjustable leveler to attain a level position. See Figure 1.

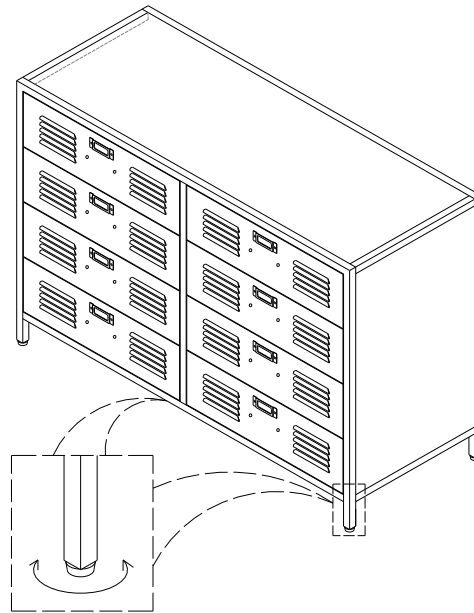


Figure 1

2. The handle is pre-assembled in the interior of the drawer. Use a Phillips head screwdriver to unscrew and remove the handle and washers from drawer, then re-attach the washer and handle to the drawer as shown. See Figure 2.

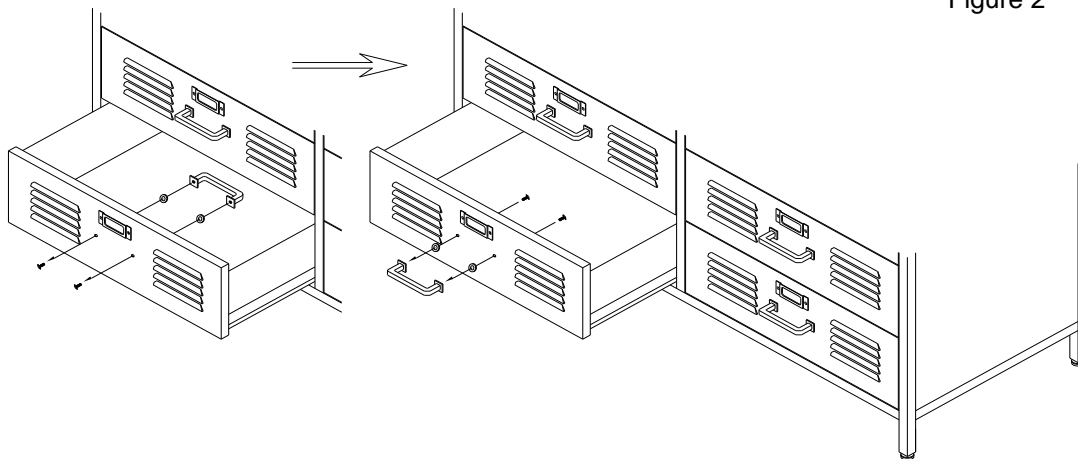
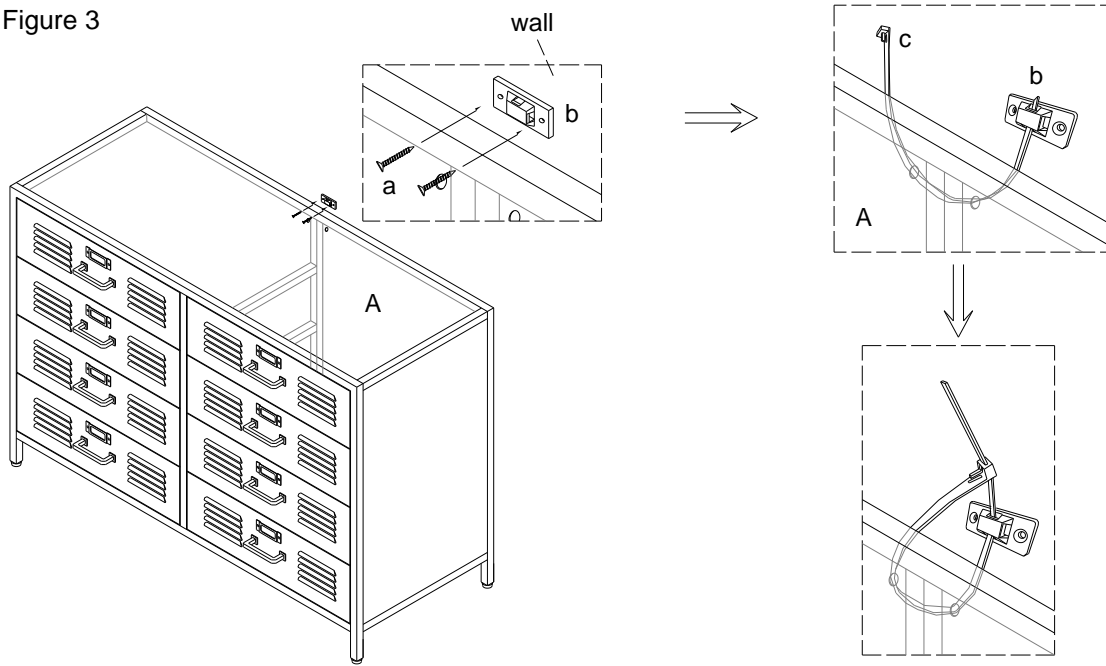


Figure 2

3. Note: For safe mounting it is essential to use the proper hardware for your wall type. The included hardware is for drywall or stud mounting only. For other wall types (ie: plaster, concrete, brick...) please consult your local hardware store. See Figure 3.
 - (1) Determine the final resting position of the furniture piece. Mark location on the wall approximately 1" below the top of the back of the furniture. Mark and drill pilot hole into the center of the stud with a 3/32" drill bit. Attach the anti-tip bracket (b) to the stud with the stud mounting screws (a) provided.
 - (2) Check to be sure the wall bracket is firmly screwed into wall stud.
 - (3) Move the piece of furniture into its final position so that the wall bracket and frame on back of furniture are in alignment.
 - (4) Thread the strap (c) through bracket (b) and pre-drilled holes on the back of dresser, then tighten until snug. Do not over-tighten.
 - (5) Check to make sure the bracket is firmly installed and the strap is secure.

Figure 3



4. Assembly is now completed.

Care Instructions:

- Furniture polishes, abrasive cleaner and household cleaners are not recommended for use. Use a slightly damp cloth to clean.
- Dry thoroughly.