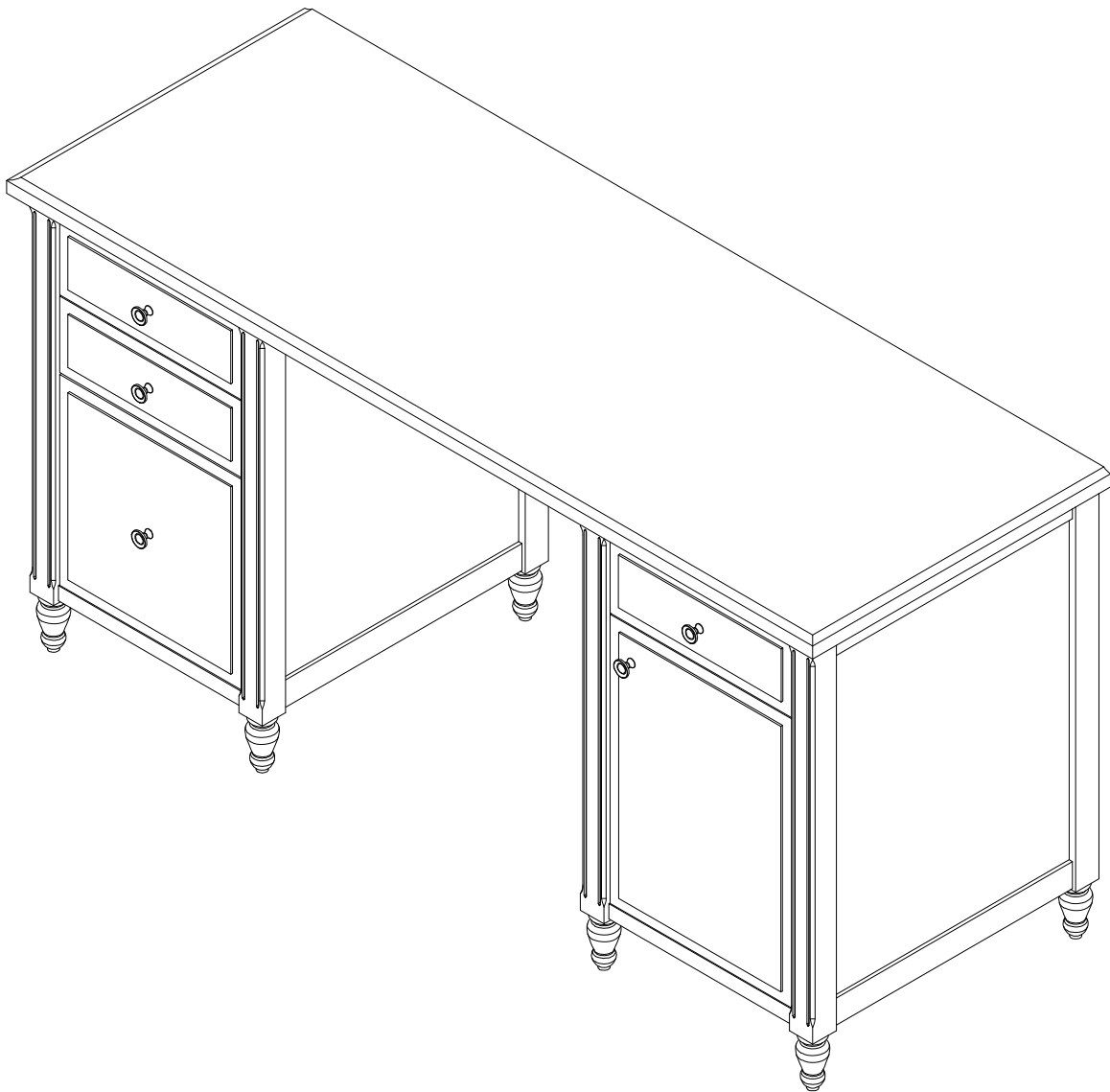




**GENEVIEVE DESK**  
**ASSEMBLY INSTRUCTIONS**



**Important Safety Instructions:**

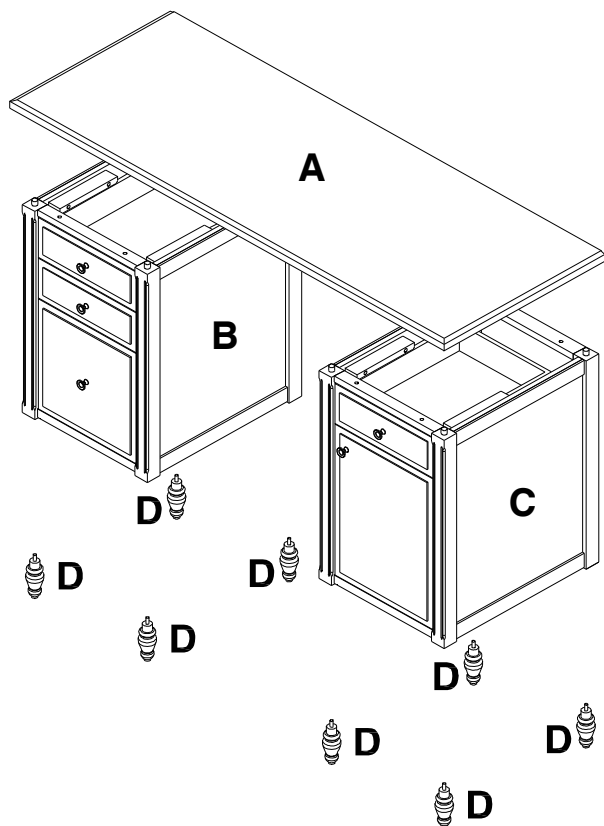
- Please read all instructions carefully before assembling this desk.
- For your safety, assembly by two or more adults is strongly recommended.
- Keep these instructions for future use.
- Use only vendor-supplied hardware to assemble this item. Using unauthorized hardware could jeopardize the structural integrity of the item.

**Pre-assembly:**


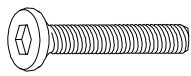
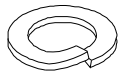
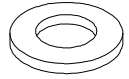
- Remove all parts and hardware from the box. Place all items on a carpeted or scratch-free work surface, as this will avoid damaging parts during assembly. The shipping box provides an ideal work surface.
- To avoid accidentally discarding small parts or hardware, do not dispose of any packaging or contents of the shipping carton until assembly is complete.
- Use the parts and hardware lists below to identify and separate each of the pieces included.
- The illustrations provided allow for easier assembly when used in conjunction with the assembly instructions.
- The use of power tools to aid in assembly is not recommended. Power tools can damage the hardware and split the wood.

**Parts Needed:**

- (A) Desktop (1x)
- (B) Left Drawer Pedestal (1x)
- (C) Right Door Pedestal (1x)
- (D) Bun Foot (8x)



**Hardware Included:**

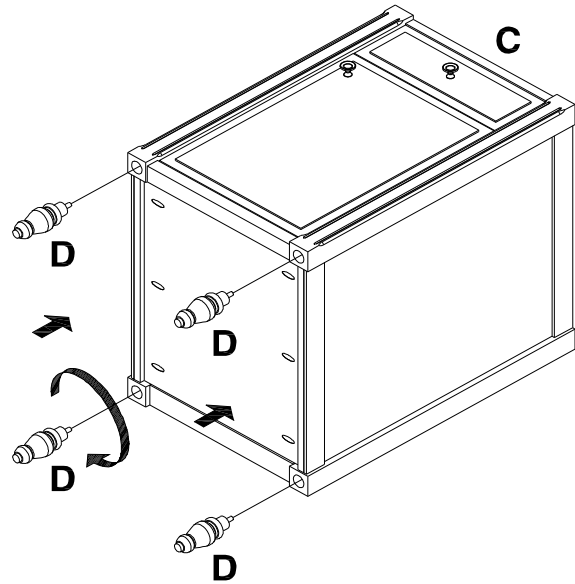
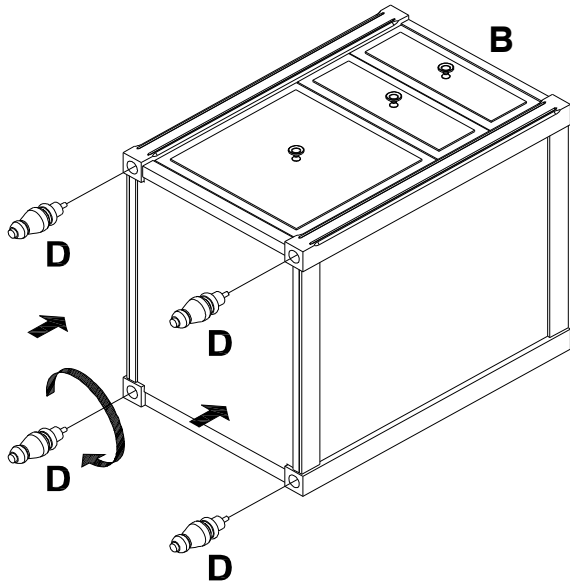
 (E) Allen Key – 1x	 (F) Bolt 1/4"x 28mm – 8x	 (G) Spring Washer – 8x
 (H) Flat Washer – 8x		

**Tools Required:**

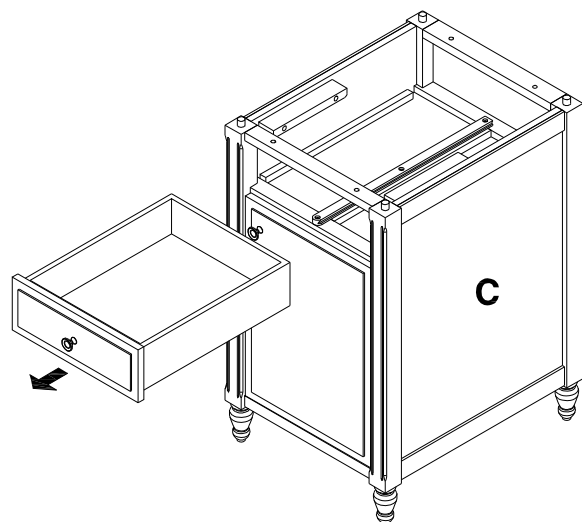
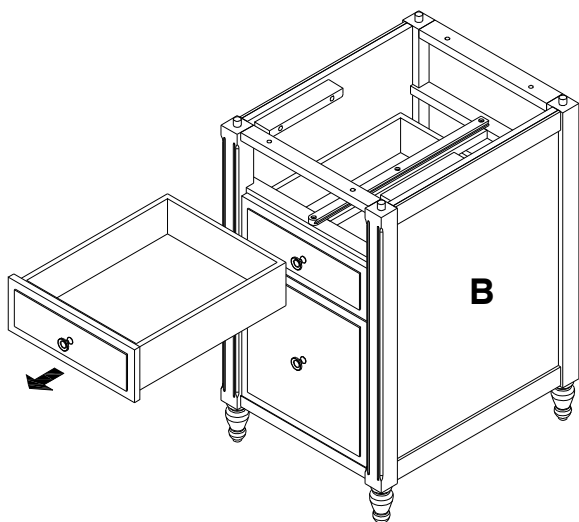
Philips Head Screwdriver  (not included)

**Assembly Instruction Steps:**

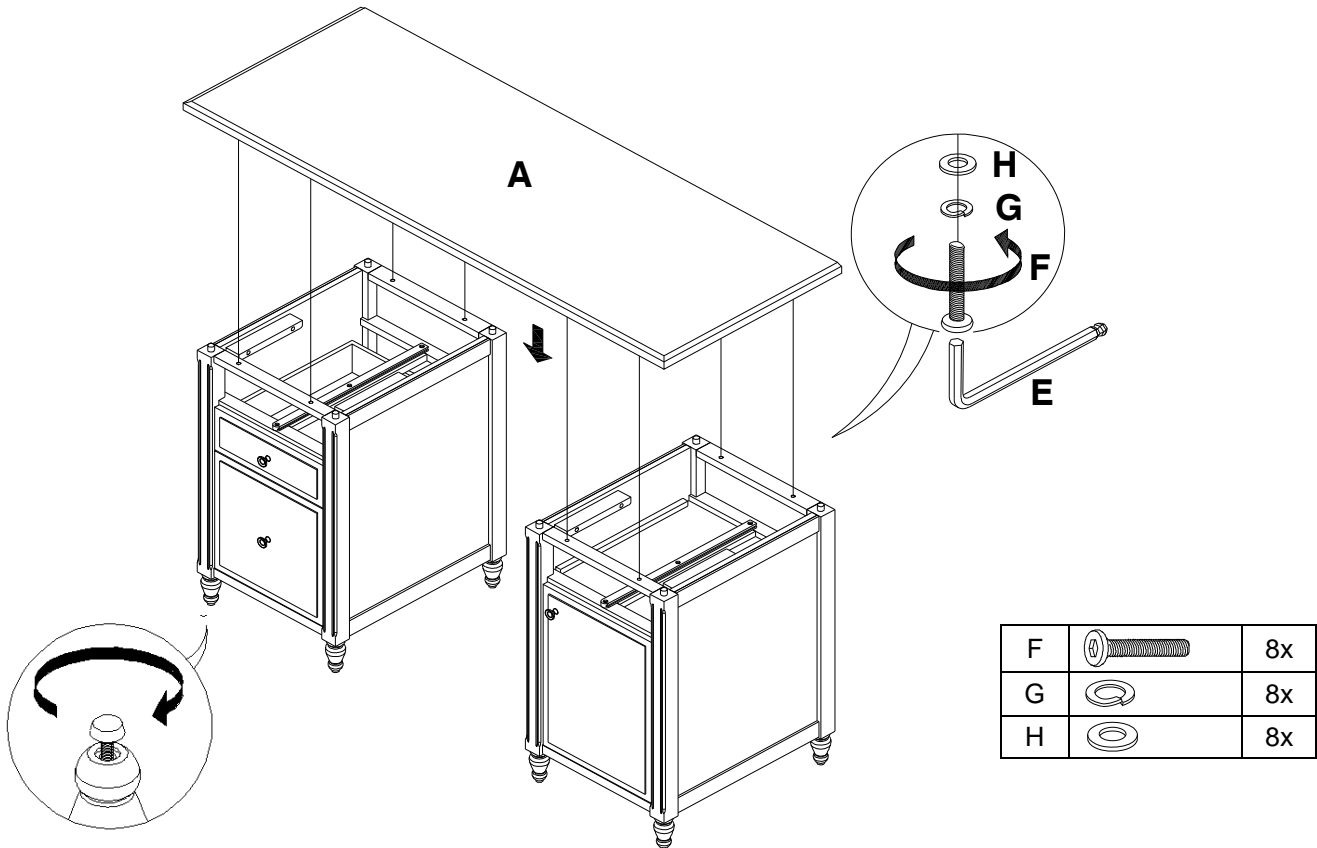
1. Place the Drawer Pedestal (B) and Door Pedestal (C) on their backs, on a soft, scratch free surface.
2. Align and thread the 4 Bun Feet (D) into the round cutouts located on each of the pedestal bottoms, as seen in illustration below. Do not over tighten.



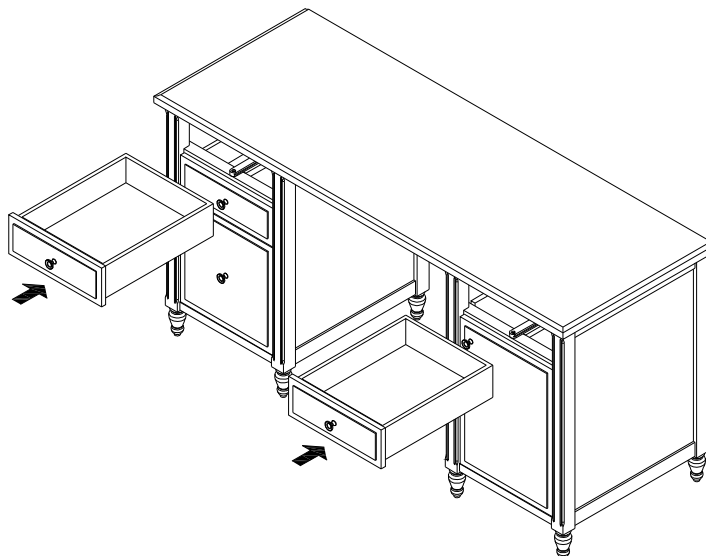
3. Remove the top drawer box from both the Drawer Pedestal (B) and the Door Pedestal (C). Keep the drawers for later use.



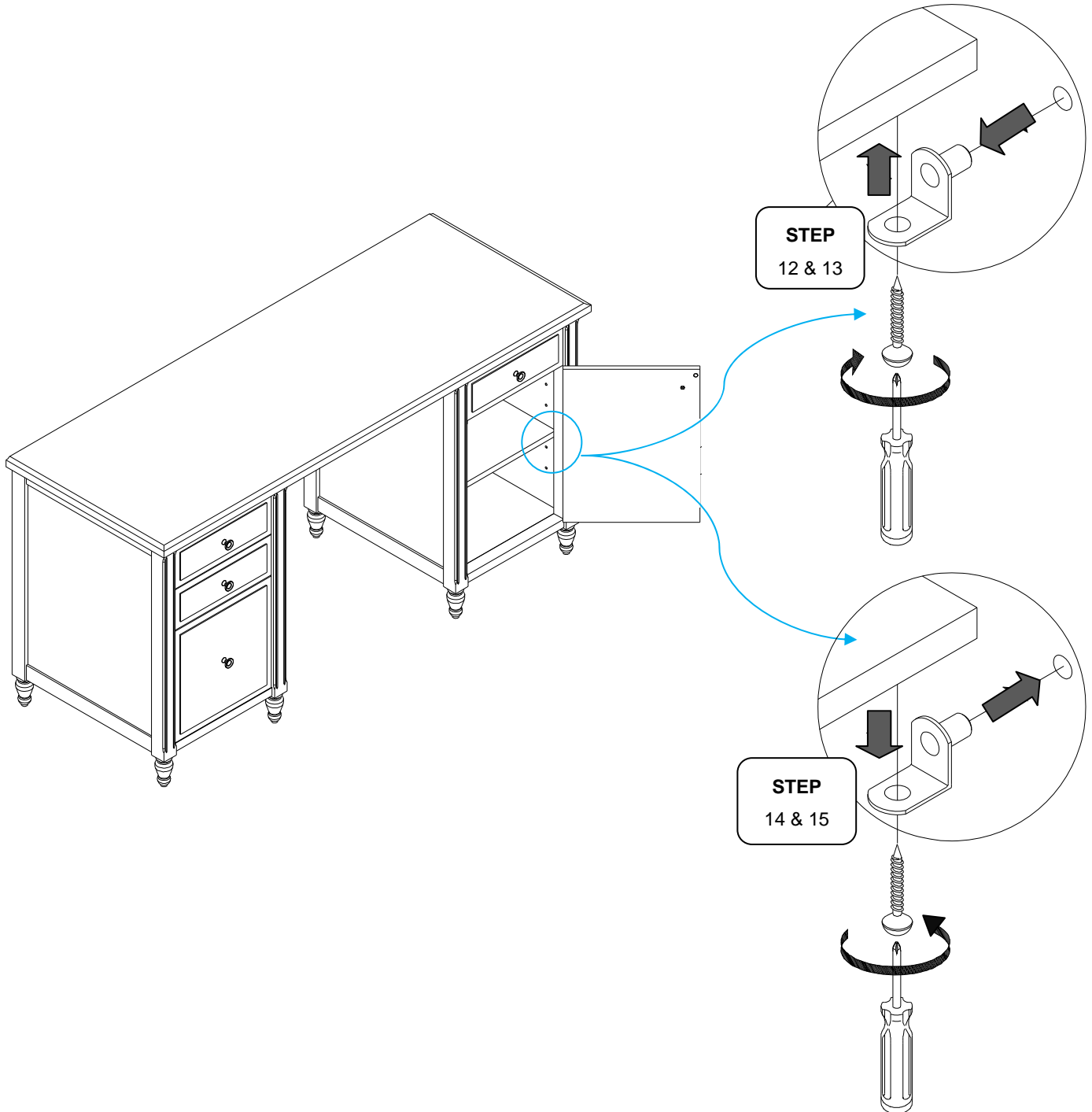
4. On a flat surface, put the 2 Pedestals in parallel positions, as seen in the illustration below.  
NOTE: *If the assembling surface is not flat, it's difficult to align the Desktop to the pedestals correctly.*
5. If needed, adjust the levelers located on the bottoms of the pedestal bun feet to keep the pedestals level before going onto the next steps.
6. Place Desktop (A) onto the 2 Pedestals by aligning the pre-drilled holes underneath Desktop (A) to the pre-fixed wooden dowels located on the top of the two pedestals.
7. Insert 4 sets of: Bolt (F), Spring Washer (G), and Flat Washer (H) from the interior of one of Pedestals and into the pre-fixed metal inserts located under the Desktop(A), as seen in the illustration below.
8. Loosely tighten with Allen Key (E).
9. Repeat steps # 7- #8 to assemble the Desktop to the other Pedestal.
10. Once the 2 pedestals are in place, tighten all bolts with Allen Key (E).



11. Place the drawer boxes that were removed from each Pedestal back to the Pedestals, as seen below.



12. To change the shelf position: unscrew the wood screws found under each shelf bottom and remove the shelf from the shelf supports.
13. Re-locate the shelf supports into corresponding holes of the new desired position.
14. Place the shelf onto the shelf supports and make sure the shelf is stable.
15. Insert the original wood screws through the pre-drilled holes of the shelf supports and into the shelf bottom, using a Philips Head Screw Driver. Do not over tighten.



**Care Instructions:**

- Dust often using a clean, soft, dry, and lint-free cloth.
- Blot spills immediately and wipe with a clean, damp cloth.
- We do not recommend the use of chemical cleansers, abrasives, or furniture polish on our lacquered finish.
- Hardware may loosen over time. Periodically check to make sure all connections are tight. Re-tighten if necessary.



## FURNITURE TIPPING RESTRAINT

**WARNING:** This product is only a deterrent. It is not a substitute for proper adult supervision. Manufacturer assumes no liability for improper installation or excessive loads placed on screws, brackets or straps.

Young children may be injured by tipping furniture and the use of a tipping restraint is highly recommended.

When properly installed, this restraint will provide protection against tipping of furniture. This tipping restraint **MUST** be secured to a wall-stud or wall structure of similar strength.

Hardware included: (2) Brackets (1) Nylon Strap  
(2) Long Stud Mounting Screws (2) Short Furniture-Side Mounting Screws

Note: For safe mounting it is essential to use the proper hardware for your wall type. The included hardware is for drywall or stud mounting only. For other wall types (e.g., plaster, concrete and brick) please consult your local hardware store for fastener advice.

To install:

**1) LOCATING THE STUDS:** Use a stud finder to locate the vertical wooden studs within your wall located behind the final position of the furniture item. Mark the stud locations with a light pencil-mark.

**2) MOUNTING THE FURNITURE-SIDE BRACKET:** Move the furniture item close to the wall to its final position. Use pieces of tape or a pencil to transcribe the stud locations of the wall onto the furniture item. Move the furniture item again so you can access its back and use the marks to locate a suitable mounting point for the furniture-side bracket. Make sure that the bracket is secured to a firm portion of the furniture frame and as high as possible. Remember: The furniture-side bracket must be positioned near a wall stud. Using a pencil, and the bracket as a guide, mark "screw marks" on the furniture item through the bracket holes.

Use a 3/32" drill bit to drill pilot holes into the furniture item at the "screw marks". Use the TWO Short screws to secure the furniture-side bracket. This bracket can be positioned either vertically or horizontal as necessary (See Figure 1).

**3) MOUNTING THE WALL-SIDE BRACKET:** Position the wall-side bracket along the selected stud mark so that it will be adjacent the furniture-side bracket when the furniture item is moved to its final position. The wall-side bracket should be about ONE inch lower than the furniture-side bracket (See Figure 3). Use the TWO Long screws to secure the wall-side bracket to the wall. Remember to position the wall-side bracket vertically so that both screws will engage the selected wall stud (See Figure 2).

**4) ATTACHING THE STRAP:** When both brackets are securely attached, move the furniture to its final desired position and thread the strap through the openings of each bracket and also through the ratcheting "buckle". Tighten the strap until several "clicks" are heard. The furniture item is now securely tethered to the wall.

Note: If you must move the furniture item, you can release the strap by depressing the lever arm located at its buckle and simultaneously withdrawing the strap from the buckle. Make sure to reconnect the strap once the furniture item is returned to its previous position.

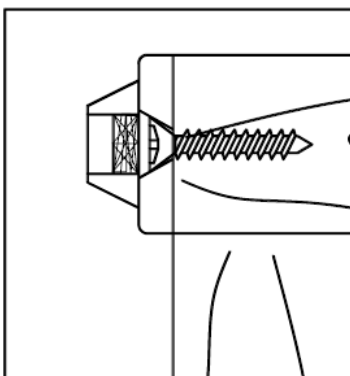


Figure 1

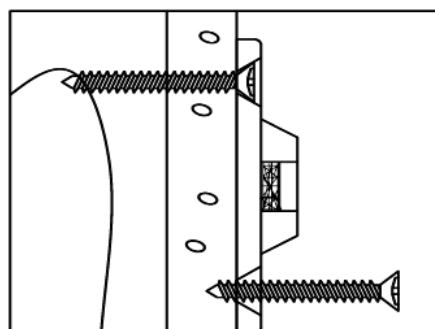


Figure 2

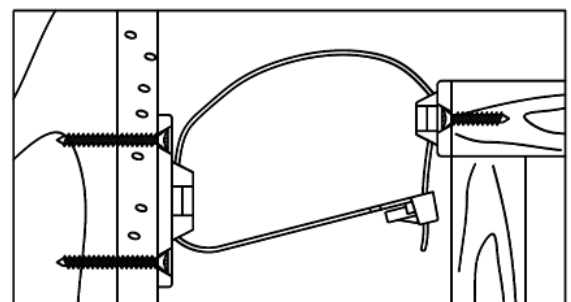


Figure 3