



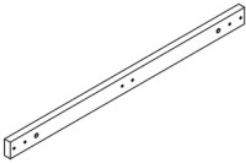
The hardware included is meant for drywall or wall stud mounting. If your walls are concrete, brick, or plaster, we recommend that you consult your local hardware store to determine the proper hardware for your wall type.

Organize it System – Double Wall Frame

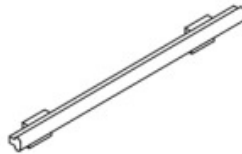
ASSEMBLY & MOUNTING INSTRUCTIONS

Parts Included:

(A) Side and Middle Members – 3 pcs



(B) Top / Bottom Frame Rails (with Blocks) – 2 pcs



(C) Support Rails – 4 pcs



Hardware Included:

(D) Screw – 18 pcs



(E) Anchors - 6 pcs



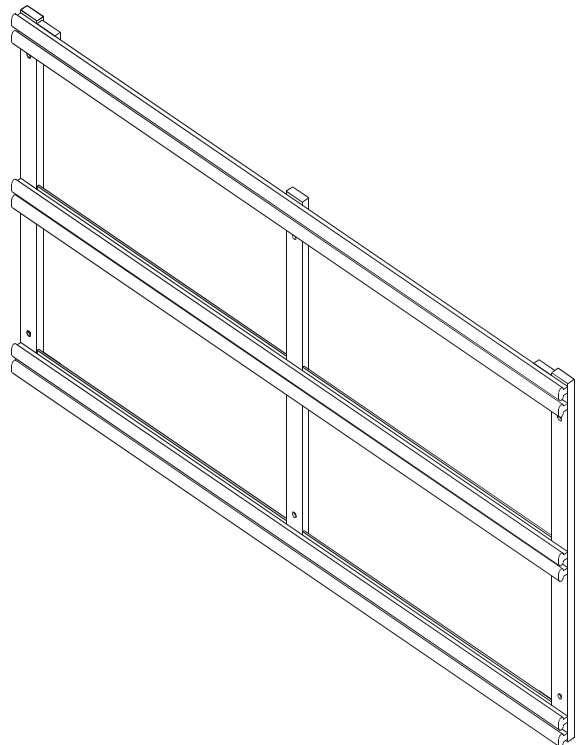
(F) Stud Mounting Screws - 6 pcs



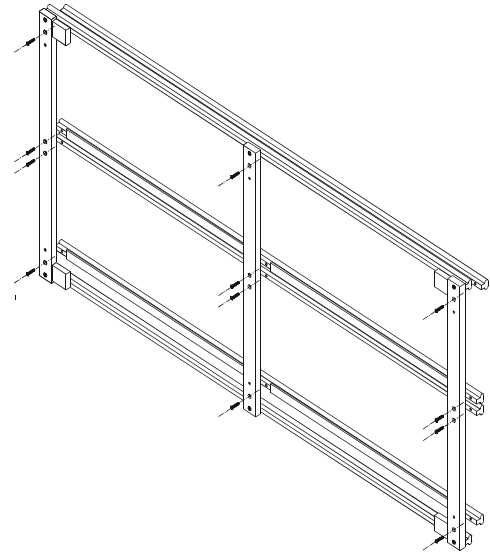
Tools Required: Philips Screwdriver, Level, Pencil, Stud-Finder

Assembling Instructions:

1. Position the two Side Members (A) onto a flat surface so that they are parallel to each other and about 36 inches apart. Position the middle member in the middle. Each bar must be facing down so that the rear surface is showing. You should see 8 holes on each. These will be the left and right sides of the supporting frame. Securing screws will pass through select holes on this rear surface and into bars located on the opposing side, as described below.
2. Now position a Top Frame Rail (B) (the one with the two blocks near each end) UNDER the two Side and Middle Members (A) so that the top surface of each block is even with the top surface of each Side Member, as shown. Use the provided screws (D) to secure each end of the Top Frame Rail (B) to the upper end of each Side and Middle Member (A). Each screw (D) should pass through the UPPERMOST hole of each Side and Middle Member (A) and into the aligned threaded hole of each Top Frame Rail (B). Use a screwdriver to tighten each screw until tight.
3. Repeat Step (2) with the Bottom Frame Rail (B) so that this rail is secured to the Side and Middle Members using the LOWERMOST holes of the Side and Middle Members (A).



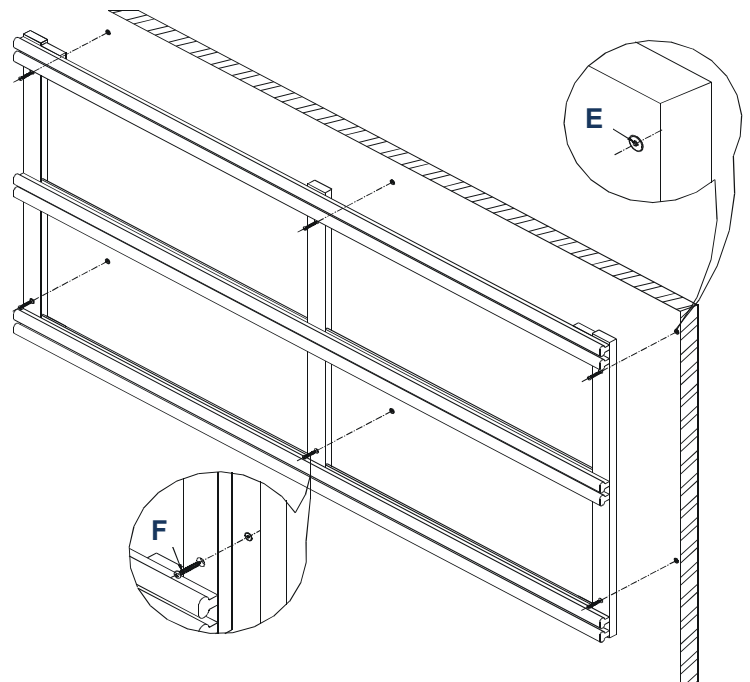
- Now position each of the four Support Rails (C) so that their threaded holes (located at each end) align with the following holes of the side and middle members. A Support Rail is secured to the hole located second from the top, the two centrally located holes and the hole located second from the bottom of each Side Member and Middle Member (A), as shown in the illustration. Again, use screws (D) and a screwdriver to secure these four Support Rails (C) to the Side and Middle Members (A). There are two Support Rails (C) with wood bar in the back, you should put these two rails in the middle (the longer one) and bottom (the shorter one) of the frame.



Note that the holes located third from the top and third from the bottom of each side and middle member are used for mounting the assembled frame to a wall, as described below.

Mounting Instructions:

- Perhaps with the help of another person, position the assembled frame against a wall at a desired mounting location. Use a level to make sure that the frame is level and then use a sharp pencil or a screw to mark the wall through each of six holes (from the front of the frame). Set the frame aside. The remaining marks on the wall are the locations for the mounting hardware.
- The provided anchors cannot penetrate wood. Therefore we have to determine if any of the marks of Step (1) happens to align with a wood stud. Use a stud-finder to determine this. If any do align, use the screwdriver to secure a screw at that mark, when instructed to do so below. Do not use the anchor at this mark.
- For the marks that do not align with a wall stud, use a screwdriver to install an anchor into the wall. The anchor allows the screw to hold firmly to sheetrock. Place the tip of the anchor at the mark and use the screwdriver to both rotate the anchor (clockwise) and firmly push it into the wall. The anchor will drive itself into the wall like a large screw. Continue rotating the anchor until its wide flange is even with the wall surface.
- With the help of another person, hold the frame against the wall so that the mounting holes align with either an installed anchor or a stud mark. Use a screwdriver to secure a provided Screw (F) into each of the six holes located on the Side and Middle Members (A) and into either an installed anchor or directly into the wall and stud. Rotate each screw clockwise until tight.
- Your Double Wall Frame is now ready to support accessories.



CARE INSTRUCTIONS:

- Wipe with a soft, dry cloth.
- Do not use abrasive or solvent-based cleaners.

Thank you for your purchase!
 Stores | catalog | www.pbteen.com
 1.800.290.8181