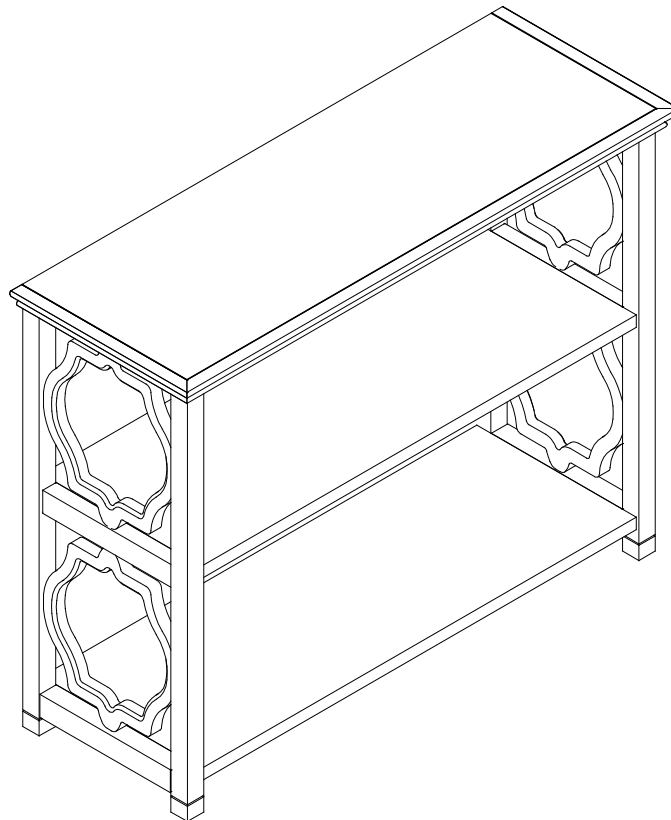


ELSIE LOW / WIDE BOOKCASE

ASSEMBLY INSTRUCTION



IMPORTANT SAFETY INSTRUCTIONS:

- Please read all instructions carefully before assembling this bed.
- For your safety, assembly by two or more adults is strongly recommended.
- Keep these instructions for future use.
- Use only vendor-supplied hardware to assemble this item. Using unauthorized hardware could jeopardize the structural integrity of the item.

Date: 2014-Oct-17

PRE- ASSEMBLY:

- Remove all parts and hardware from the box. Place them on a carpeted or scratch-free work surface, as this will avoid damaging parts. The shipping box provides an ideal work surface.
- To avoid accidentally discarding small parts or hardware, please do not dispose of any contents until assembly is complete.
- Two people are recommended for your safety and ease of assembly.
- Prior to starting this assembly, use the parts and hardware lists to identify and separate each of the pieces included.
- The illustrations provided allow for easier assembly when used in conjunction with the assembly instructions.
- Note: Do not fully tighten any of the bolts until all parts are in place. Failure to follow these instructions may cause the bolts to misalign during assembly.
- Please use caution if using power tools to aid in assembly. Power tools can damage the hardware or split the wood.

Part included:

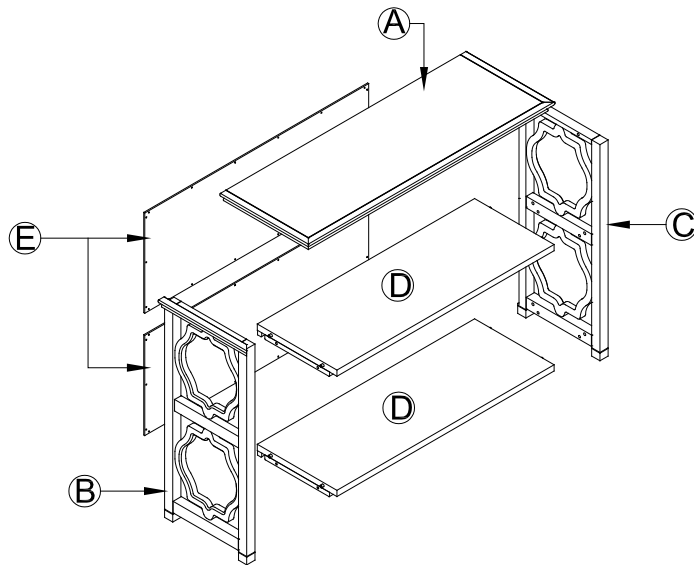
A – Top Panel (x1)

B – Left Side Panel (x1)


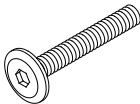


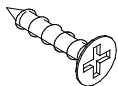
C – Right Side Panel (x1)

D – Shelf (x2)

E – Back Panel (x2)

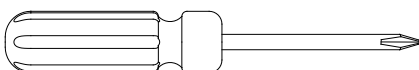


Hardware included:

F – Ball Tip Allen Key	G – Allen Bolt	H – Spring Washer	I – Flat Washer	J –Phillips head screw
				
4x95x30mm	1/4"x 28 x13mm	1/4"x10x1.5mm	1/4"x12 x1.5mm	6 x 19mm
1pc	12pcs	12pcs	12pcs	36pcs

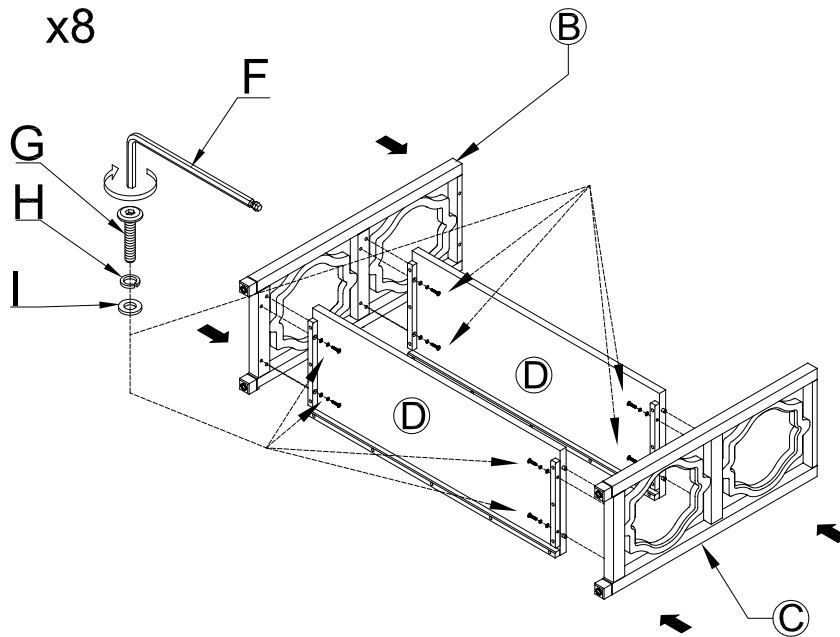
TOOLS REQUIRED (but not included):

Phillips Head Screwdriver

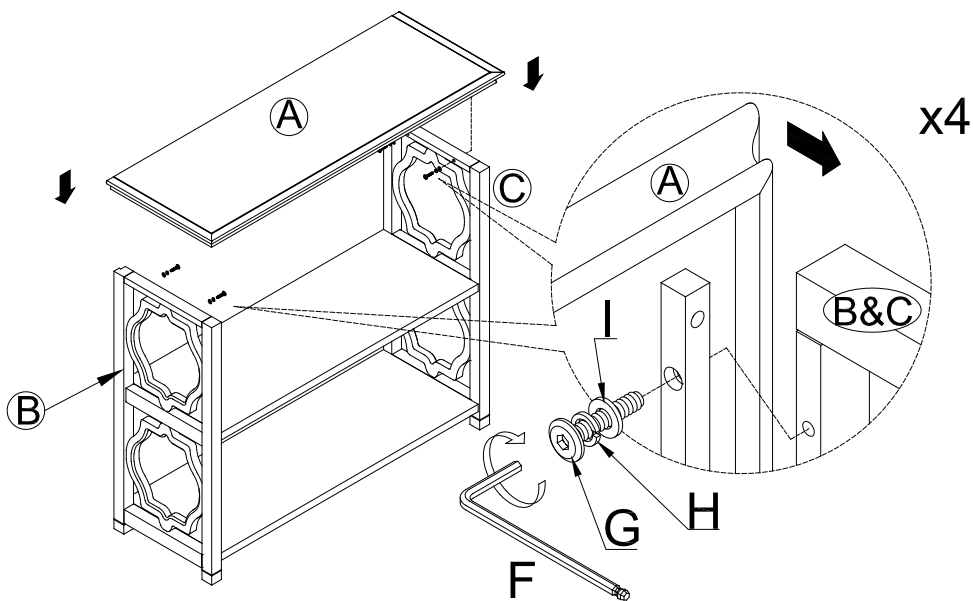


Assembly:

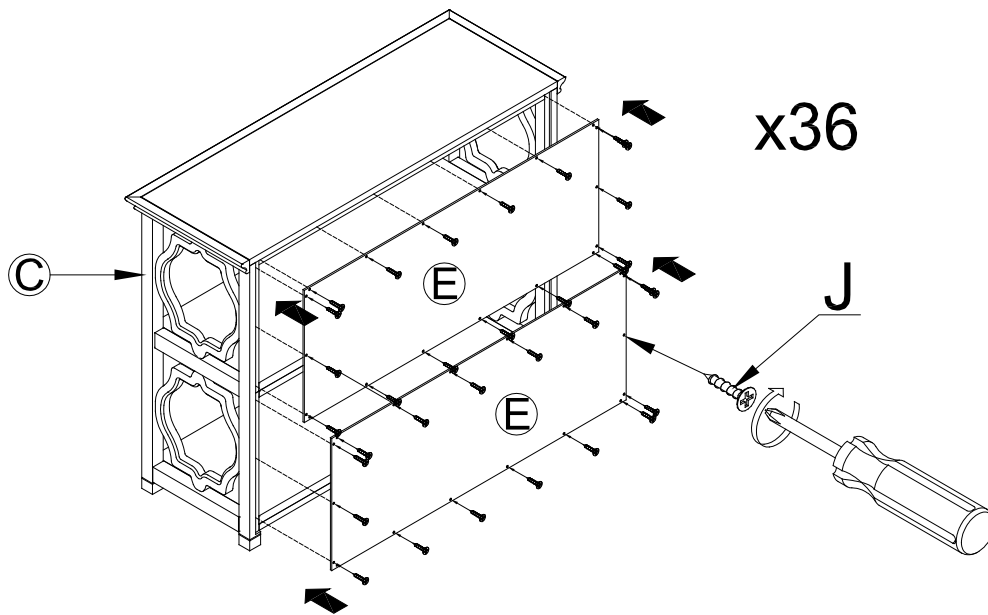
1. Lay the Left Side Panel (B), Right Side Panel (C) and Shelf (D) down on a soft, scratch-free surface such as a rug or carpet. Insert the wood dowel on each side of the Shelf (D) into the pre-drilled holes of the Left Side Panel (B) and Right Side Panel (C). Tighten the Shelf (D) to the Left Side Panel (B) by inserting the Flat Washer (I), Spring Washer (H) and followed by the Allen Bolt (G) from the inner side of the pre-drilled holes of the underneath cleat of the Shelf (D) to the pre-drilled holes of the Left Side Panel (B). Tighten using the Ball Tip Allen Key (F) as seen in the illustration below. Repeat the same on the Right Side Panel (C).



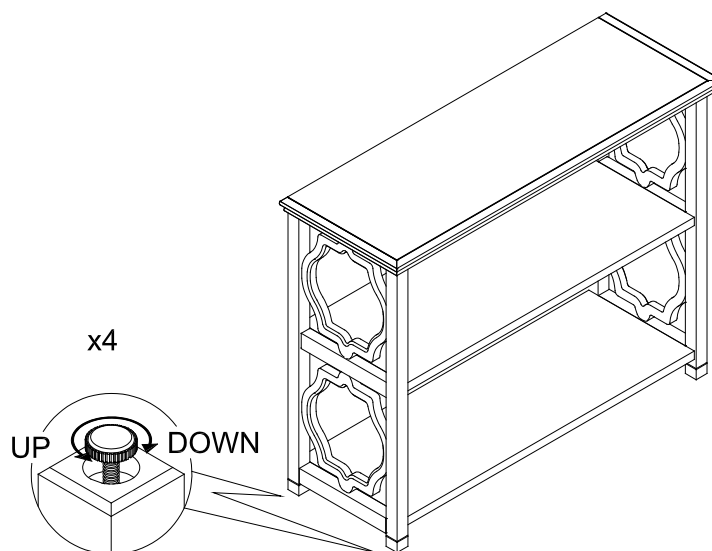
2. Bring the Bookcase upright. Attach Top panel (A) to the Left Side Panel (B) and Right Side Panel (C) by inserting 4pcs of Flat Washer (I), followed with 4pcs of Spring washer (G), and Allen Bolt (G) through the pre-drilled holes of the cleat underneath the top panel as shown below. Tighten all bolts with the Ball Tip Allen Key (F), but make sure to not over tighten as seen in the illustration below.



3. Using a Phillips Head Screwdriver, attach the Back panel (E) to the bookcase with 36pcs of Phillip Head Screw (J) as shown in the illustration below.



4. To keep the Dresser level, adjust the recessed levelers located at the bottom of each leg (either up or down).



5. Assembly is completed

Care Instructions:

- Avoid direct sunlight and excessive temperatures.
- Dust often using a clean, soft, dry, and lint-free cloth.
- Slightly moisten cloth with water. A damp cloth holds dust and prevents scratching.
- Waxing is not recommended on lacquered finish.

Date:

