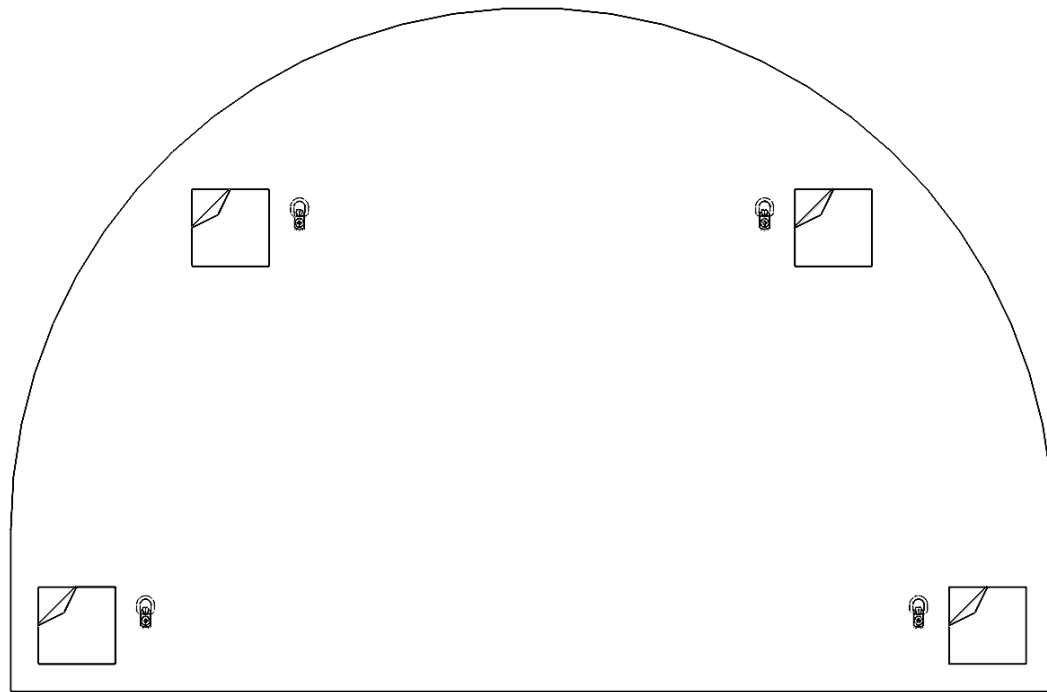
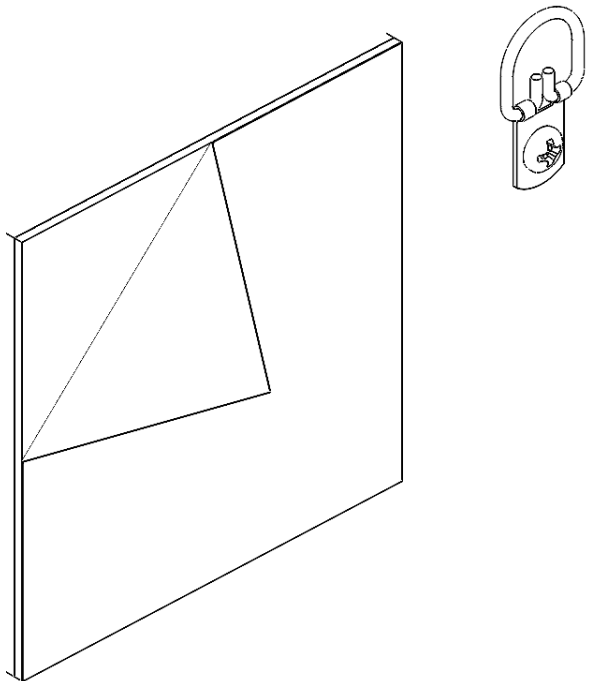


Step 1: Clean the area in which you will be hanging your new headboard (If you have the powered version, be sure to account for plugging in your headboard)



Step 2a (if using D-Rings):
Install hooks onto the wall in the proper positions to match with the D-Rings on the headboard

Step 2b: Peel the backs off of the 5 Velcro squares on the back of the headboard



Step 3a (if using D-Rings): Hang the D-Rings onto the hooks installed in step 2a

Step 3b: Press the headboard panel onto the wall firmly to ensure proper engagement of the adhesive backing of the Velcro Squares