



Beauty Beatbox

WARNING:

- Electrical shock hazard may cause death or serious injury.
- Do not operate speaker using AC adaptor near water. Always plug adaptor into speaker before plugging into an outlet.
- This power unit is intended for tabletop use only.

CAUTION: To reduce the risk of electric shock and fire, do not open any section on this docking station. There are no user serviceable parts inside.

Accessories Included:

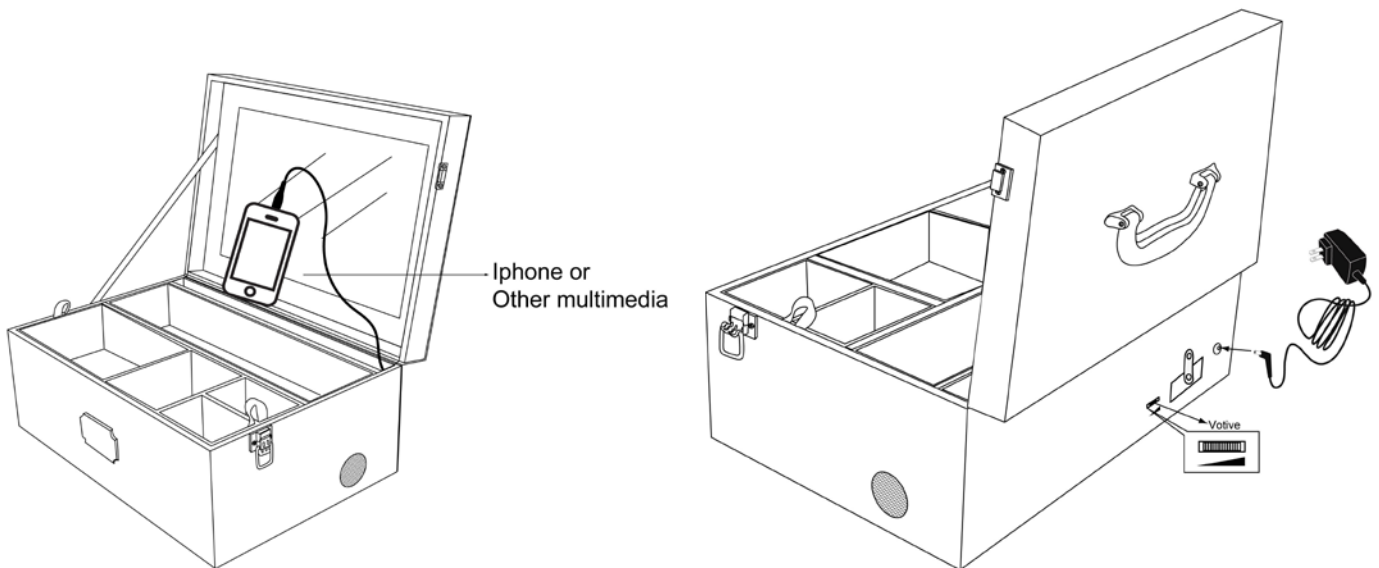
- (1) AC Adaptor (2) Stereo cord

Operating Instruction: (By AC Adaptor)

1. Make sure speaker is turned off.
2. Insert small end of the enclosed AC adaptor into Adaptor input. Plug the other end of the adaptor into a wall outlet.

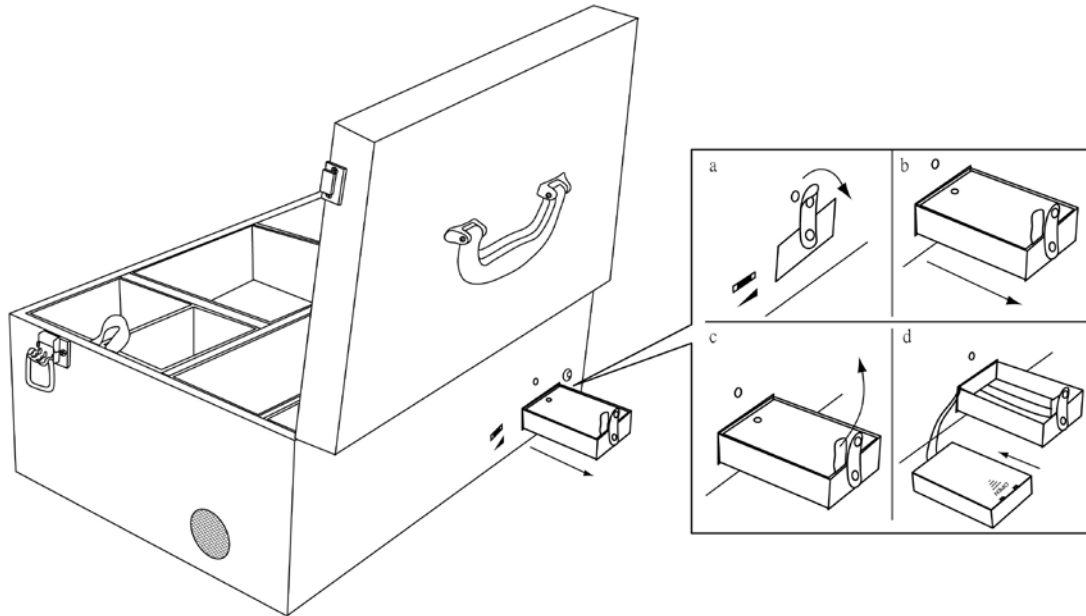
NOTE: Use only power adaptor with the following specification: **Input AC 100-240V 50/60Hz/Output DC5V 300mA**

3. Plug the stereo cord into headphone jack on your player.
4. Play music using player's controls and adjust the volume by using volume control on the back of the box. (NOTE: you may need to experiment to find the right volume setting for the player and/or the speaker set)

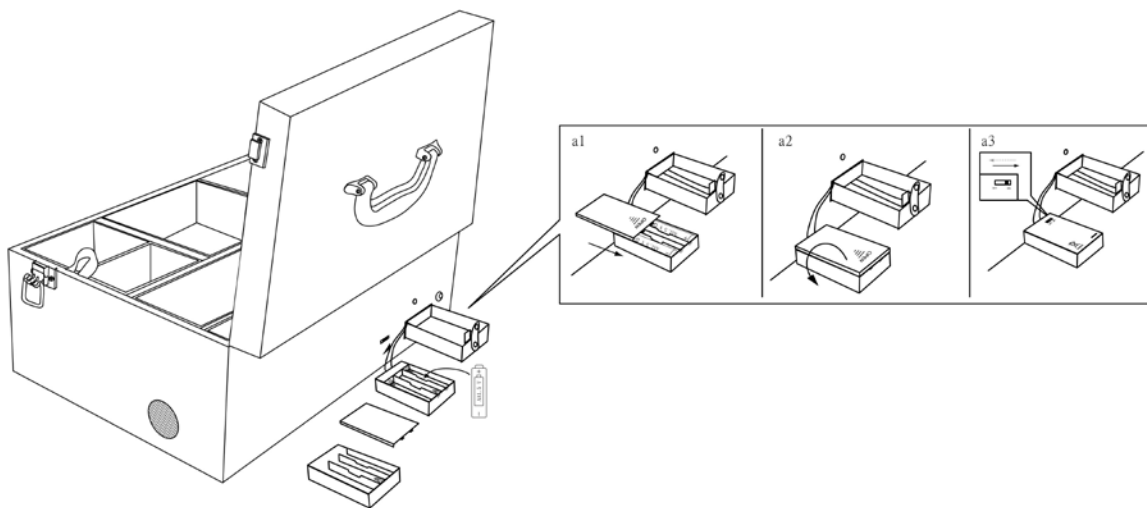


Operating Instruction: (By Batteries)

1. Please take out the battery box as photo shown.



2. Insert three new 1.5 volt "AA" batteries (battery is not included) into the box as photo show.



Battery safety & Disposal Information

To avoid explosion or leakage, do not dispose of batteries in a fire or attempt to recharge standard or alkaline batteries. Please dispose of batteries safely according to the battery manufacturers instructions or recycle battery per state and local codes. If battery leakage occurs and comes in contact with the skin or eyes, wash immediately with plenty of water. Batteries should be handled under adult supervision. If the device is not to be used for a long period of time, remove the battery to prevent injury from possible battery leakage.

NOTE: This equipment has been tested and found to comply with the limits for a Class B digital device, pursuant to Part 15 of the FCC Rules. These limits are designed to provide reasonable protection against harmful interference in a residential installation. This equipment generates uses and can radiate radio frequency energy and, if not installed and used in accordance with the instructions, may cause harmful interference to radio communications. However, there is no guarantee that interference will not occur in a particular installation. If this equipment does cause harmful interference to radio or television reception, which can be determined by turning the equipment off and on, the user is encouraged to try to correct the interference by one or more of the following measures:

- Reorient or relocate the receiving antenna.
- Increase the separation between the equipment and receiver.
- Connect the equipment into an outlet on a circuit different from that to which the receiver is connected.
- Consult the dealer or an experienced radio/TV technician for help

Care Instruction:

Dust with a soft, dry cloth.

Do not use glass cleaner, abrasives, wax or household cleaner as they may damage the finish on this product.

Thank you for your purchase!
www.pbteen.com