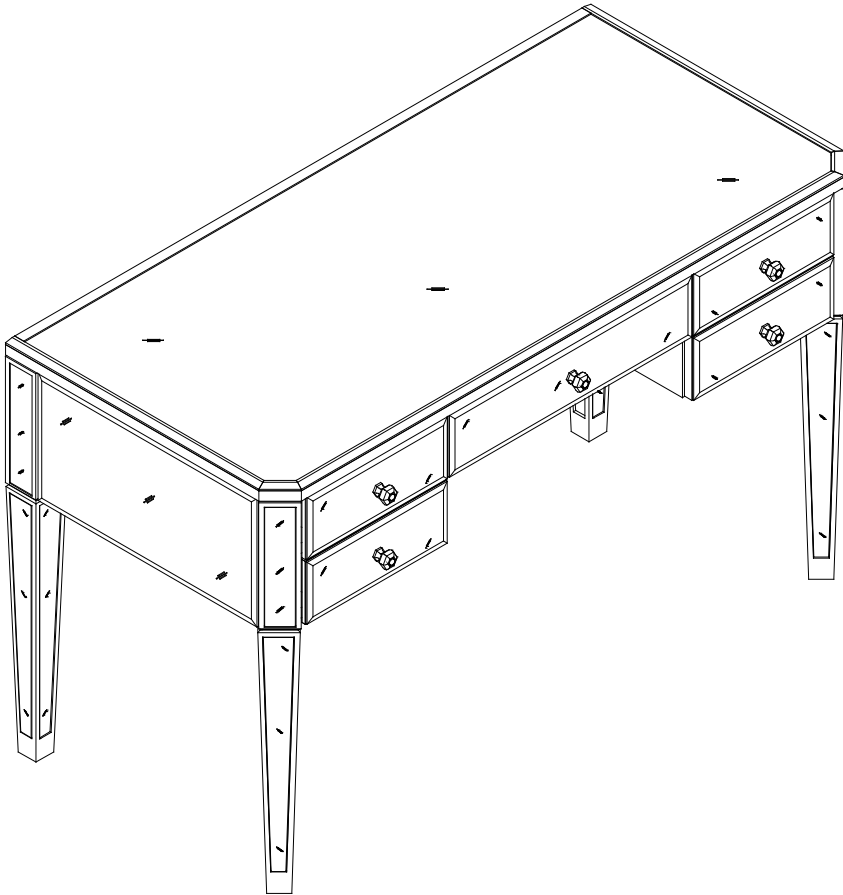


ZOE VANITY DESK

ASSEMBLY INSTRUCTION



Important safety instructions:

- Please read all all instruction carefully before assembling this desk.
- For your safety, assembly by two or more adults is strongly recommended.
- Keep these instructions for future use.
- Use only vendor-supplied hardware to assembly this item. Using unauthorized hardware could jeopardize the structural integrity of the item.

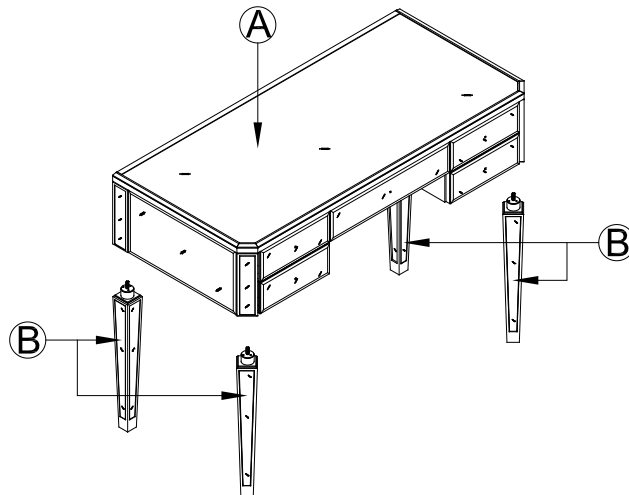
Pre- assembly:

- Remove all parts and hardware from the box and place them on a carpeted or scratch-free work surface. The shipping box provides an ideal work surface.
- To avoid accidentally discarding small parts or hardware, please do not dispose of any contents until assembly is complete.
- Two people are recommended for your safety and ease of assembly.
- Prior to starting the assembly, use the parts and hardware lists to identify and separate each of the pieces included.
- The illustrations provided allow for easier assembly when used in conjunction with the assembly instructions.
- Note: Do not fully tighten any of the bolts until all parts are in place. Failure to follow these instructions may cause the bolts to misalign during assembly.
- Please use caution if using power tools to aid in assembly. Power tools can damage the hardware or split the wood.

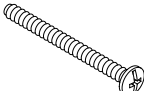

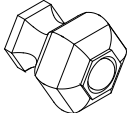
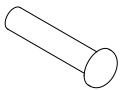
Parts included:

A – Desk (x1)

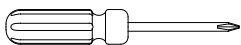
B – Legs (x4)



Hardware included:

| C – Knob Bolt | D – Plastic Flat Washer | E – Knob | F – Knob Insert Nut |
|---|---|---|---|
|  |  |  |  |
| Ø5/32" x40 (mm) | (Ø13)5/32"x1.5(mm) | 31x30 x22 (mm) | Ø5/32xØ10 x27 (mm) |
| 5pcs | 5pcs | 5pcs | 5pcs |

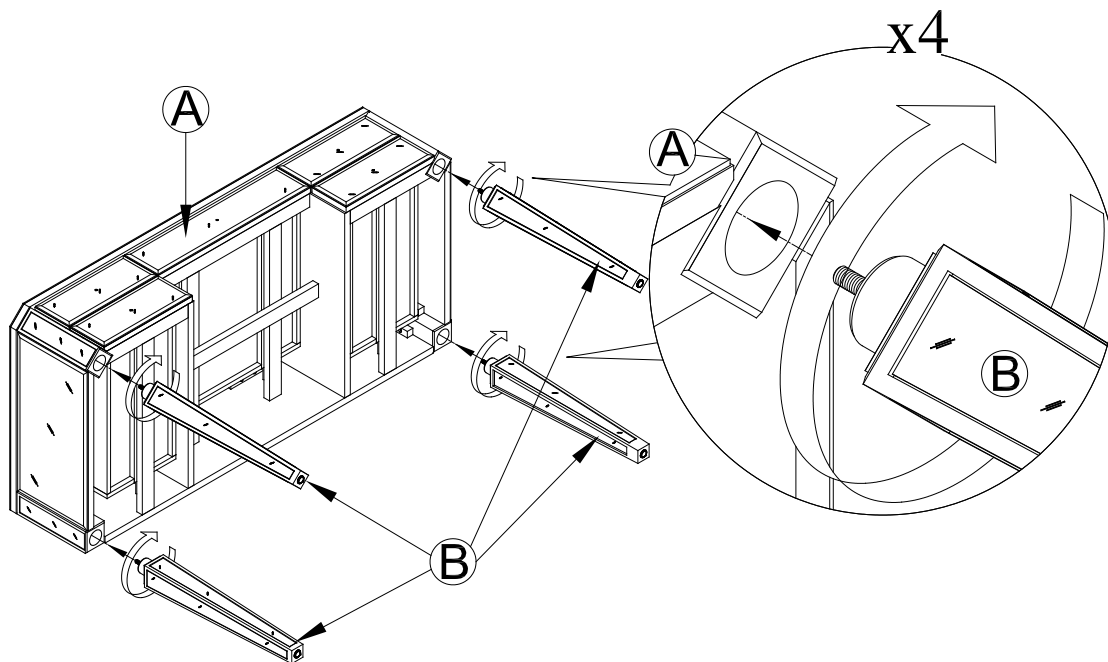
Tools required (not included):



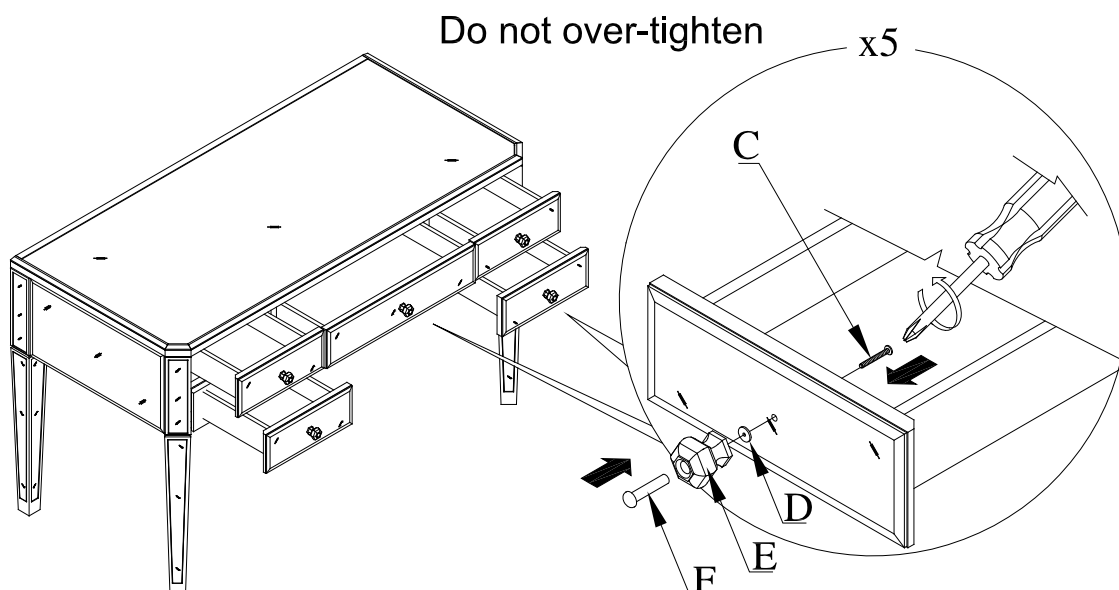
Phillips Head Screwdriver

Assembly instruction steps:

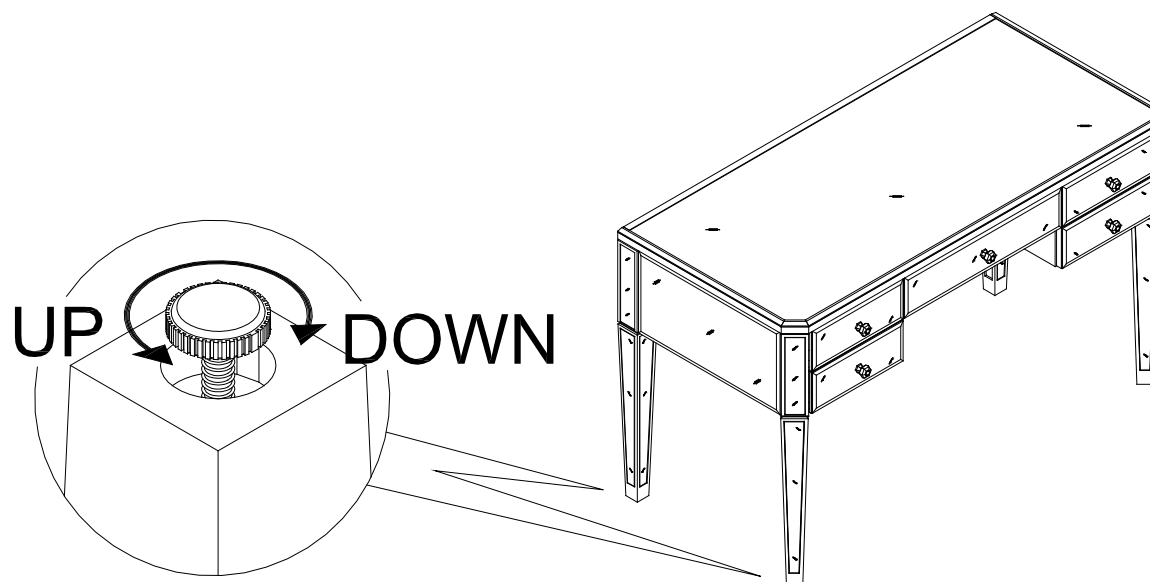
1. Place the Desk (A) on its side and on a scratch free surface.
2. Attach the 4 Legs (B) to each corner of the bottom of the Desk (A), as seen in the illustration below.
3. Turn the Legs (B) clockwise until they are tight.



4. Turn the Desk (A) to the upright position.
5. From inside each drawer front, insert a Knob Bolt (C) through the pre-drilled hole of each drawer front.
6. Assemble the following hardware onto the protruding Knob Bolt on the front of the drawer: Plastic Flat Washer (D), Knob (E), and a Knob Insert Nut (F), as seen in the illustration below.
7. Tighten all the screws with Phillips Head Screwdriver (not provided), but do not over tighten.



8. Adjust the levelers on the bottom of the Legs (either in or out) to make the Desk sit level.



CARE INSTRUCTIONS:

- Dust often using a clean, soft, dry, and lint-free cloth.
- Blot spills immediately and wipe with a clean, damp cloth.
- We do not recommend the use of chemical cleansers, abrasives, or furniture polish on our lacquered finish.
- Hardware may loosen over time. Periodically check to make sure all connections are tight.
Re-tighten if necessary.