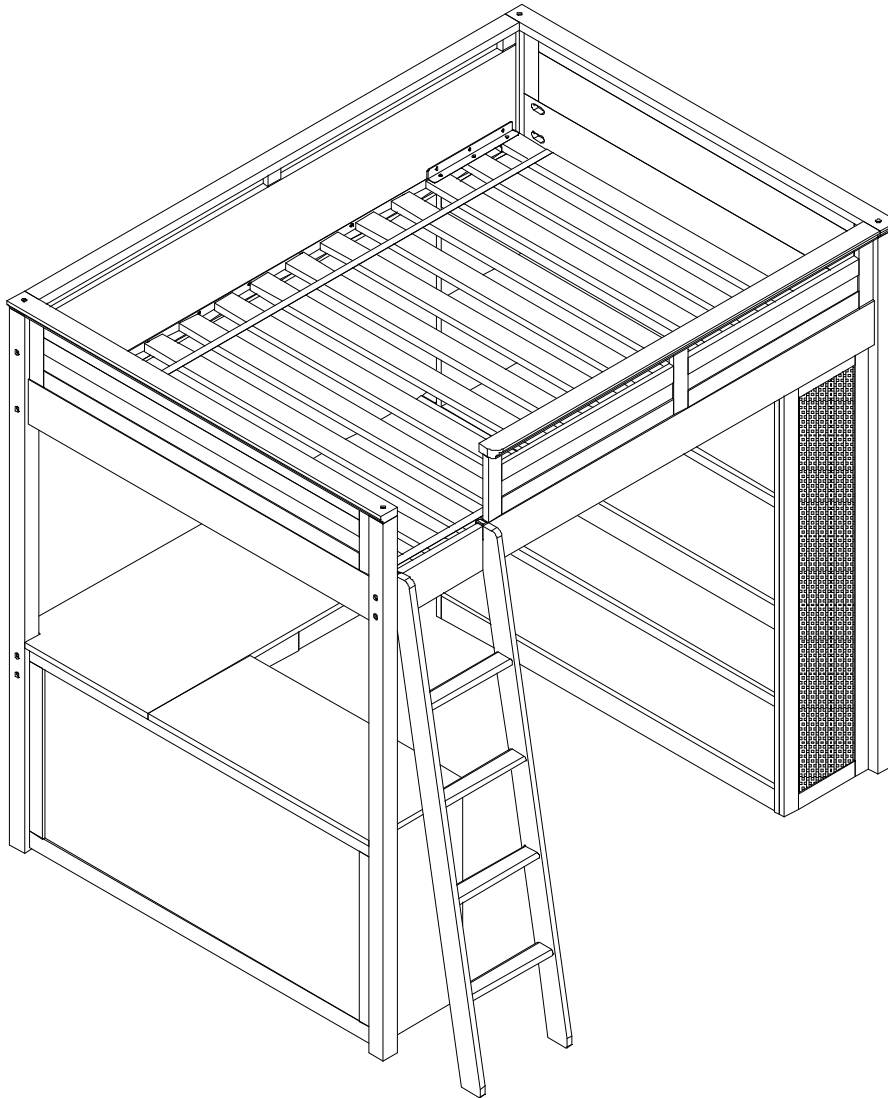


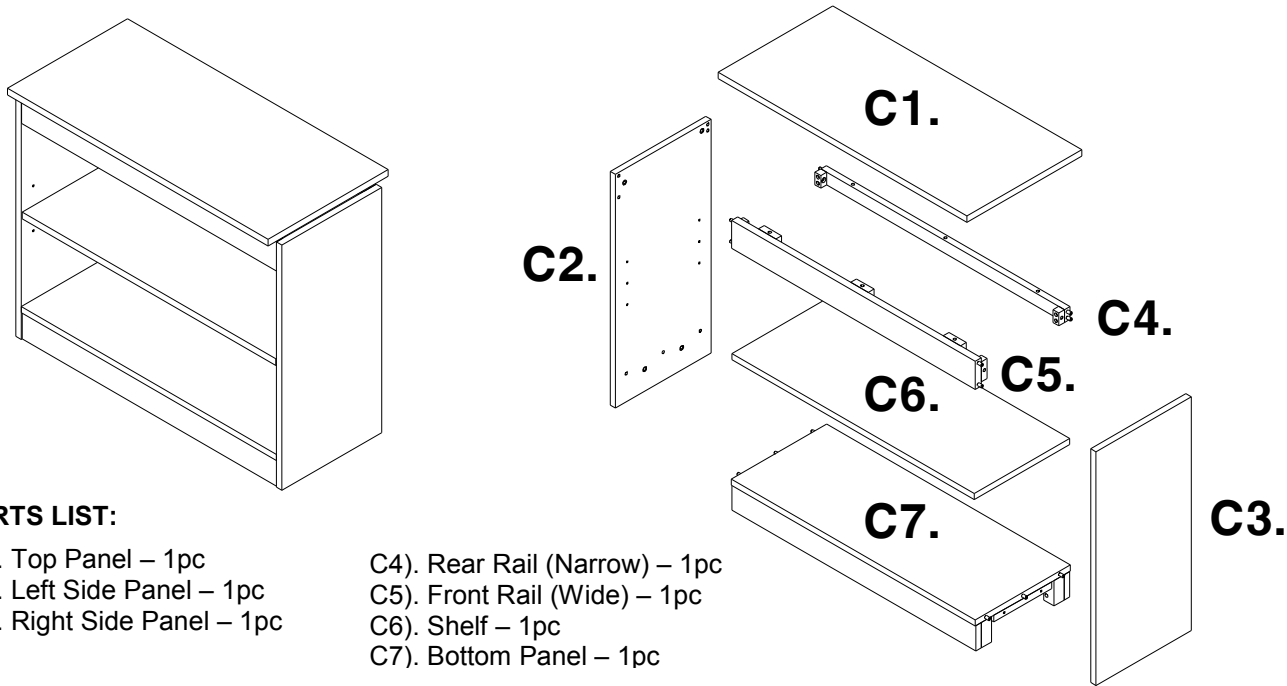
Sleep & Study Loft Bed – CD Shelf

Assembly Instructions 2 of 4



PRE-ASSEMBLY:

- For your safety and ease, assembly by two adults is recommended.
- Please read all instructions before beginning assembly. The illustrations provided allow for easier assembly when used in conjunction with the assembly instructions.
- Remove all parts and hardware from box and lay out on a carpeted or scratch-free work surface. The shipping box provides an ideal work surface. Do not dispose of any contents until assembly is completed to avoid accidentally discarding small parts or hardware.
- Use the parts and hardware lists to identify and separate each of the pieces included prior to starting assembly.
- Note: DO not fully tighten the bolts until all parts are in place. Failure to follow these instructions may cause the bolts to misalign during assembly.
- Do not use power drill as it may cause cracking.


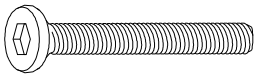
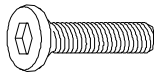





PARTS LIST:

- C1). Top Panel – 1pc
- C2). Left Side Panel – 1pc
- C3). Right Side Panel – 1pc
- C4). Rear Rail (Narrow) – 1pc
- C5). Front Rail (Wide) – 1pc
- C6). Shelf – 1pc
- C7). Bottom Panel – 1pc

TOOLS REQUIRED: Philips Screwdriver (Not included) 

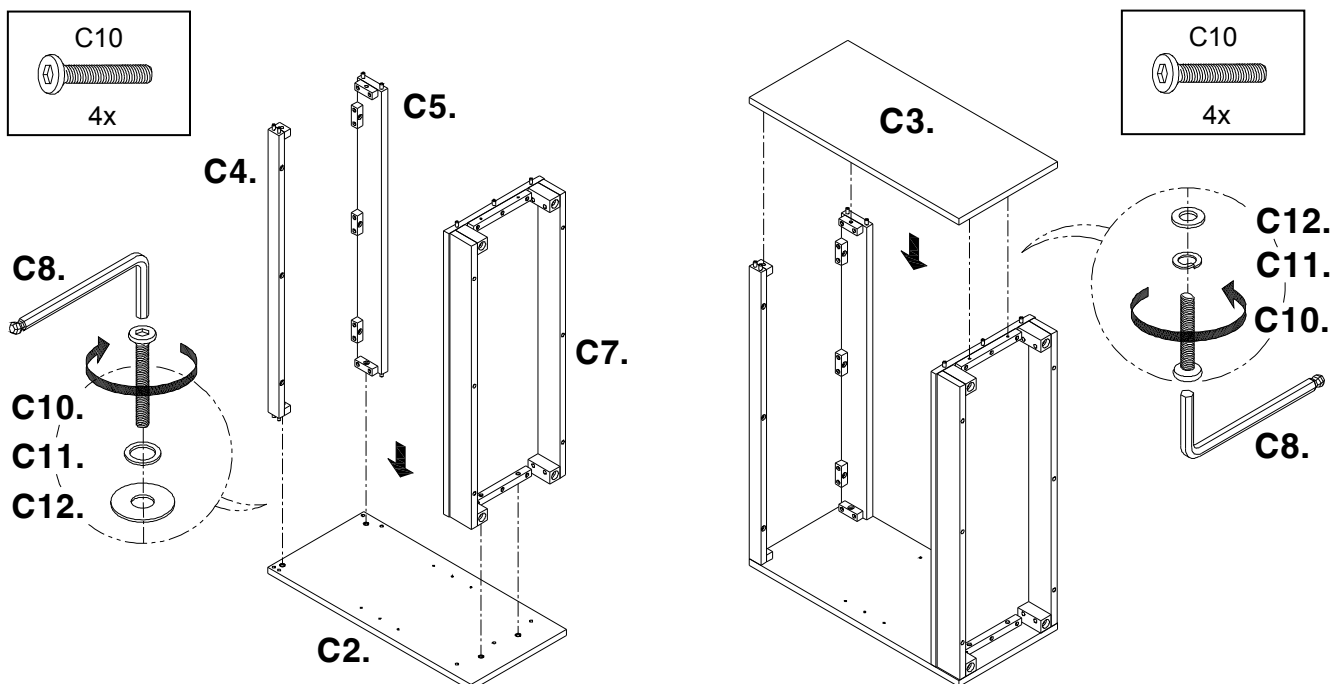
HARDWARE LIST

 (C8) Allen Key – 1x	 (C9) Long Bolt 1/4"x45mm – 3x	 (C10) Short Bolt 1/4"x28mm – 11x
 (C11) Spring Washer – 14x	 (C12) Flat Washer – 14x	 (C13) Shelf Supporter – 4x

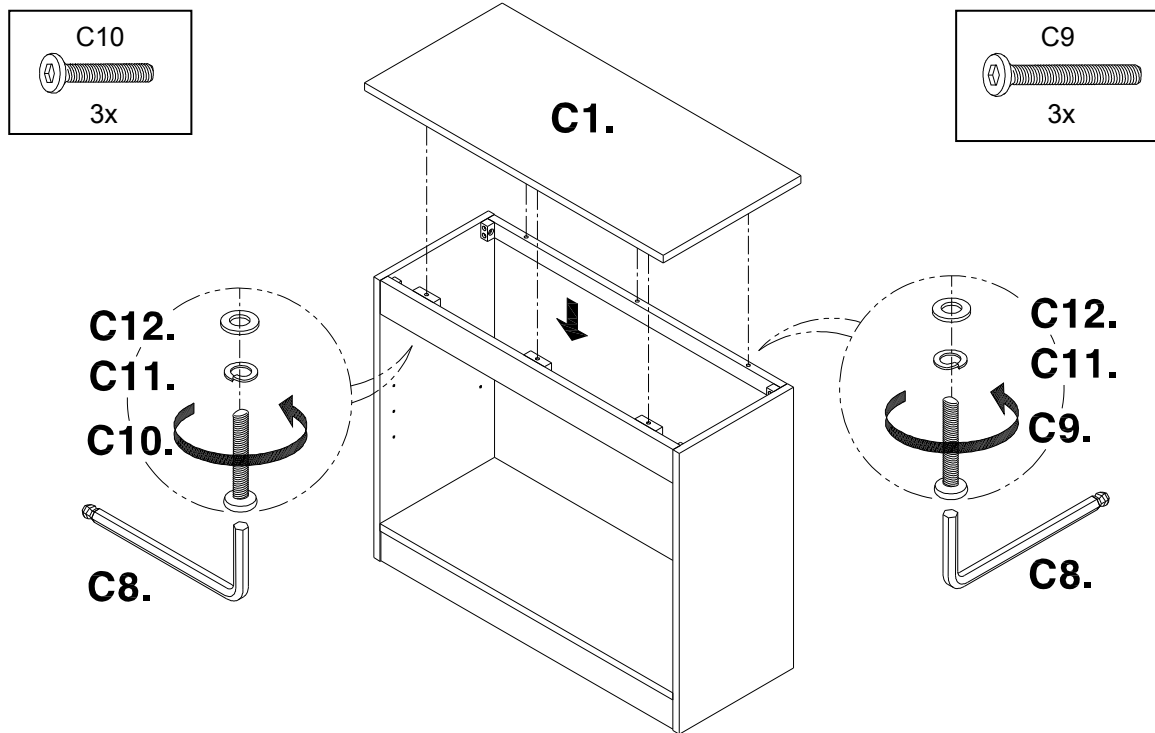
ASSEMBLY INSTRUCTIONS:

- Slide a Spring Washer (C11) and a Flat Washer (C12) onto each Long Bolt (C9) and Short Bolt (C10).
- Attach and connect Front Rail (C5), Rear Rail (C4) and Bottom Panel (C7) to pre-drilled holes located on the Left Side Panel (C2). Insert Short Bolts with washers from wooden cleats into insert nuts located on the Left Side Panel. Note: Front/Rear Rail is secured by one Short Bolt while the Bottom Panel is by two Short Bolts.

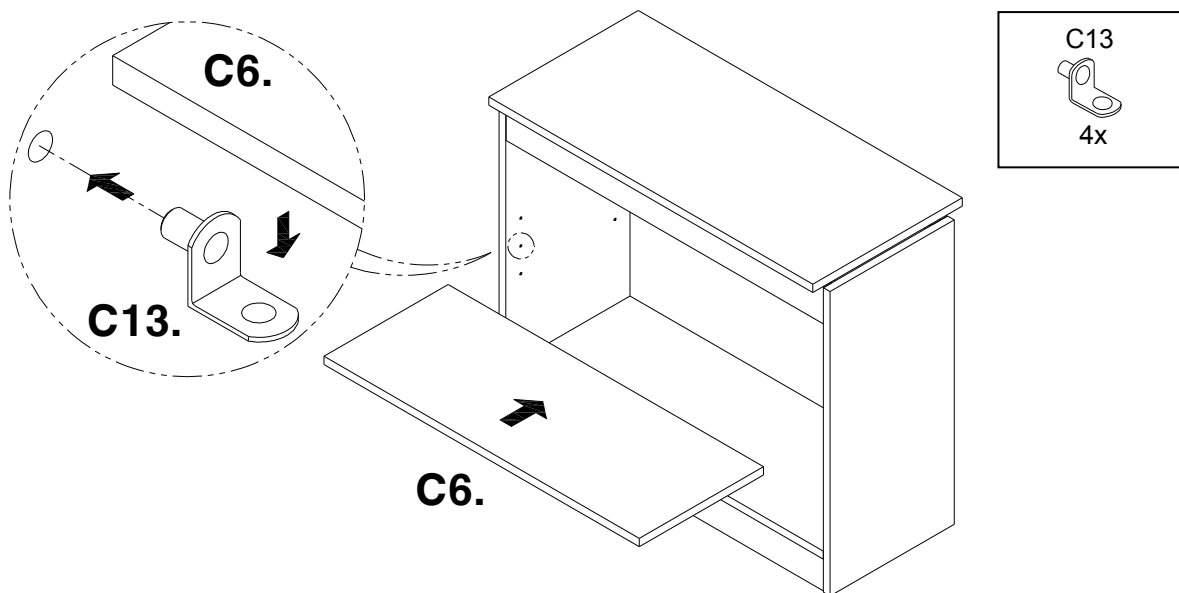
Attach Right Side Panel (C3) onto the assembled piece. Repeat previous steps to secure the Right Side Panel by using (4) Short Bolts (C10).



- Place the assembled piece in upright position. Attach Top Panel (C1) onto the assembled piece. Insert (3) Short Bolt (C10) with washers from bottom of wooden cleats located on the Front Rail (C5) into Top Panel (C1). Insert (3) Long Bolt (C9) with washers from bottom of Rear Rail (C4) into Top Panel (C1). Check alignments and tighten all connecting bolts.



- Insert (4) Shelf Supporters (C13) onto corresponding holes inside the cubby and place Shelf (C6) onto the shelf supporters.



- Assembly of CD Shelf component completes.

CARE INSTRUCTIONS:

- Dust with a clean, soft cloth.
- Avoid the use of chemicals and harsh cleaning agents.