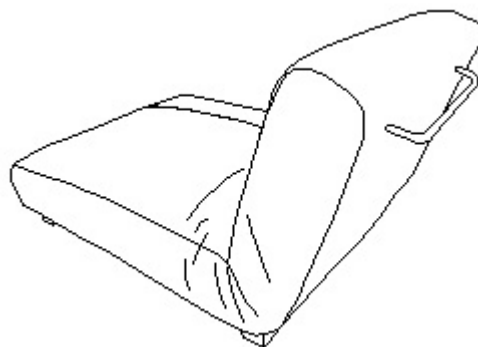




JENNER LOUNGER

ASSEMBLY INSTRUCTIONS



Date: 2013-May.-7

www.pbteen.com

Important Safety Instructions:

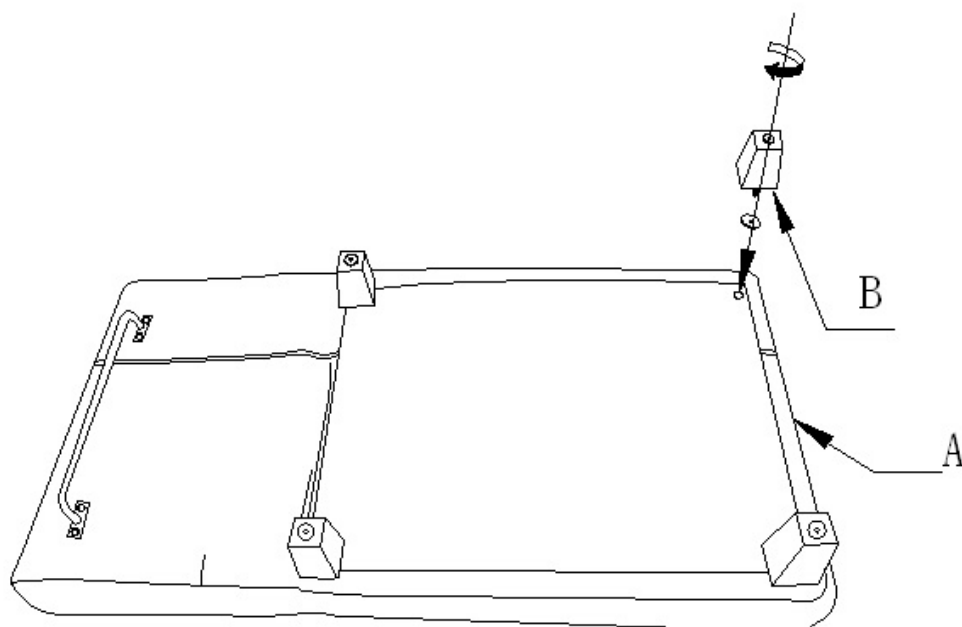
- Please read all instructions carefully before assembling.
- For your safety, assembly by two or more adults is strongly recommended.
- Keep instructions for future use.
- Use only vendor supplied hardware to assemble. Using unauthorized hardware could jeopardize the structural integrity of the item.

Pre-assembly:


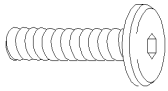

- Remove all parts and hardware from the box and lay out on a clear carpeted or scratch-free work surface, as this will avoid damaging parts during assembly. The shipping box provides an ideal work surface.
- Do not dispose of any packaging or contents of the shipping carton until assembly is completed to avoid accidentally discarding small parts or hardware.
- Use the parts and hardware lists below to identify and separate each of the pieces included.
- The illustrations provided allow for easier assembly when used in conjunction with the assembly instructions.
- The use of power tools to aid in assembly is not recommended. Power tools can damage hardware and split wood.

Parts Included:

(A)	Metal Frame	1pcs
(B)	Wooden Leg	4pcs
(C)	Back Support	1pcs



Hardware Included:

(D) Plastic Cap  4X	(E) Bolt  M8x45mm 2X	(F) Allen Key  1X
--	--	--

Tools Required (not included):



Philips Head Screwdriver

Assembly Instruction Steps:

1. Place the Metal Frame (A) upside down on carpeted or scratch-free surface. Attach the Back Support (C) by inserting Bolt (E), and Plastic Cup (D) using Allen Key (F) until tightened (See Figure 1):

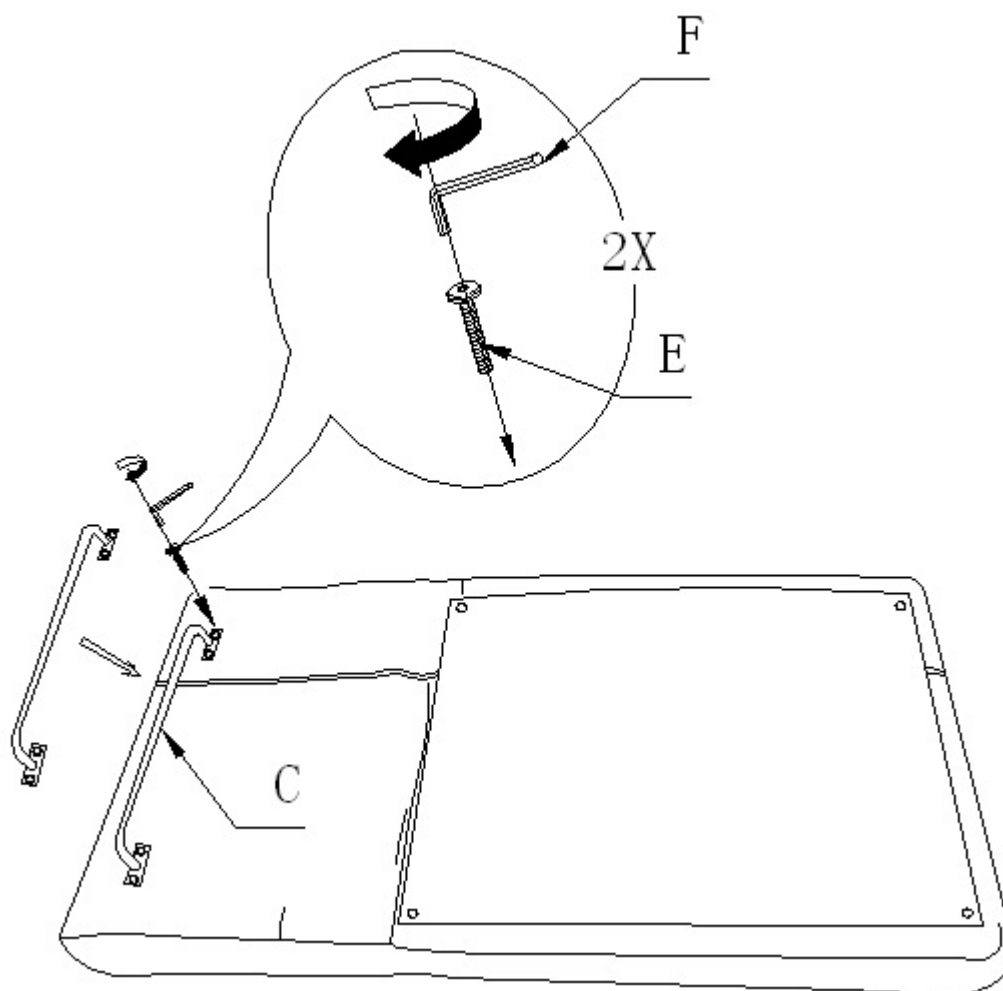


Figure 1

2. Attach the Wooden Leg (C), by inserting the threaded end of the foot, into the lounger until tight as shown below in Figure 2:

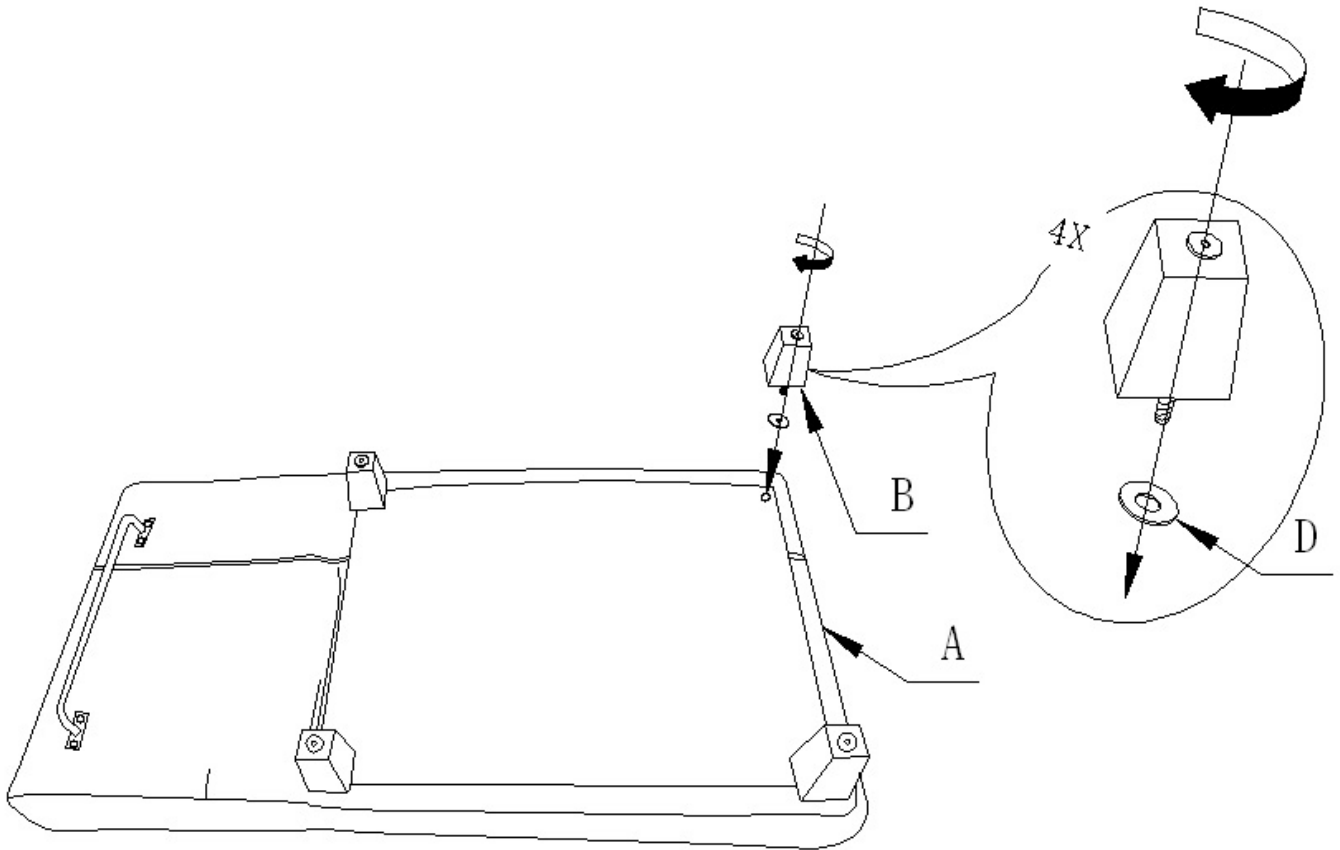


Figure 2

3. The backrest has 3 adjustable positions as shown below in Figure 3:

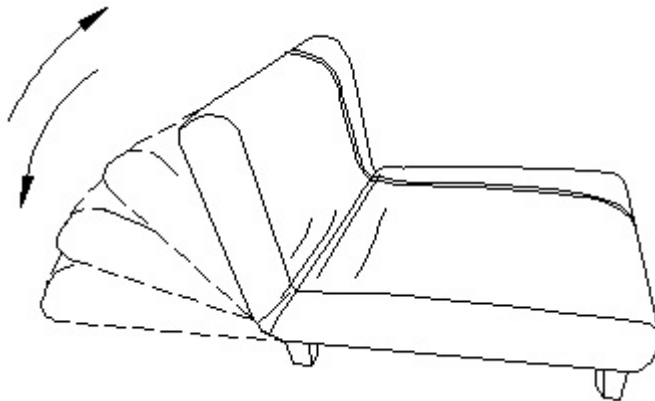


Figure 3

Care Instructions:

- Dust often using a clean, soft, dry and lint-free cloth.
- Blot spills immediately and wipe with a clean, damp, cloth.
- We do not recommend the use of chemical cleansers, abrasives or furniture polish on our lacquered finish.
- Hardware may loosen over time. Periodically check to make sure all connections are tight.

Re-tighten if necessary.