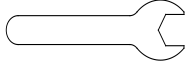




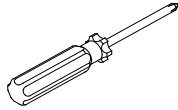
Emerson Queen Bed
Assembly Instructions

- Please read all instructions before beginning assembly.
- For your safety and convenience, assembly by three people is recommended.
- Remove all parts and hardware from packaging and identify by comparing to lists below. Do not discard any contents until assembly is complete to avoid discarding any parts or hardware.

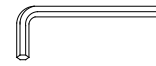
TOOLS:



(1) Open spanner

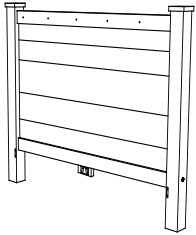


Phillips screwdriver (not included)

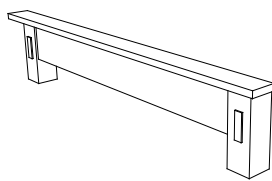


(1) Allen Key 1/6"

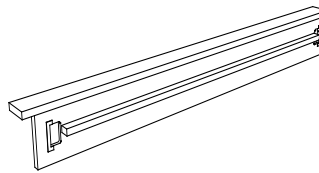
PARTS:



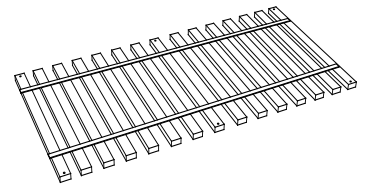
(1) Headboard -A



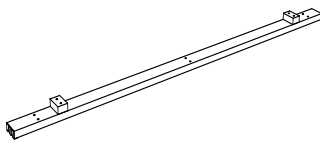
(1) Footboard- B



(2) Side rail - C



(2) Slat roll- D

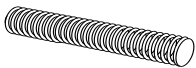


(1) Center rail -E



(3) Support feet- F

HARDWARE:



(8) Bolt (05/16" *3.5") -G



(8) Nut (05/16") -H



(8) Bigger spring washer (05/16") - I



(8) Bigger flat washers (05/16") -J



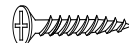
(6) Allen bolt (01/4"x1-3/16") -K



(6) Small spring washer (01/4") - L



(6) Small flat washer (01/4") - M



(12) Wood screw (01/6x 1" L) - N

Assembly Instructions:

1. Carefully lay headboard (A) and side rail (B) on a carpet or scratch-free surface.
2. Turn bolts (G) into the threaded holes on metal plate of headboard (A). Align the bolts with the holes on end of side rail (C), let the bolts pass through the holes of side rail, followed with bigger flat washer (J), bigger spring washer (I), nut (H), tighten by open spanner provided. Repeat for another side rail (C). **Fig. 1**

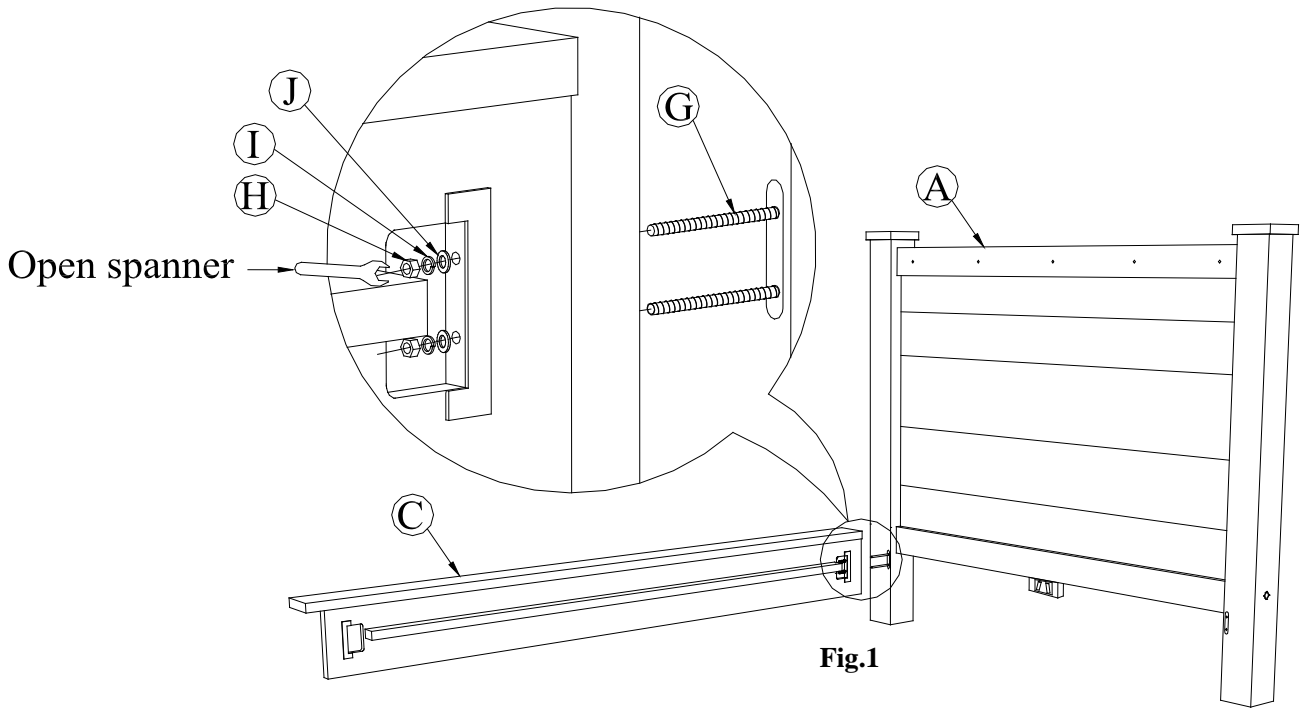


Fig.1

3. Turn bolts (G) into the threaded holes on metal plate of footboard (B). Keep the same procedure of set up the headboard (A) for footboard (B). **Fig 2.**

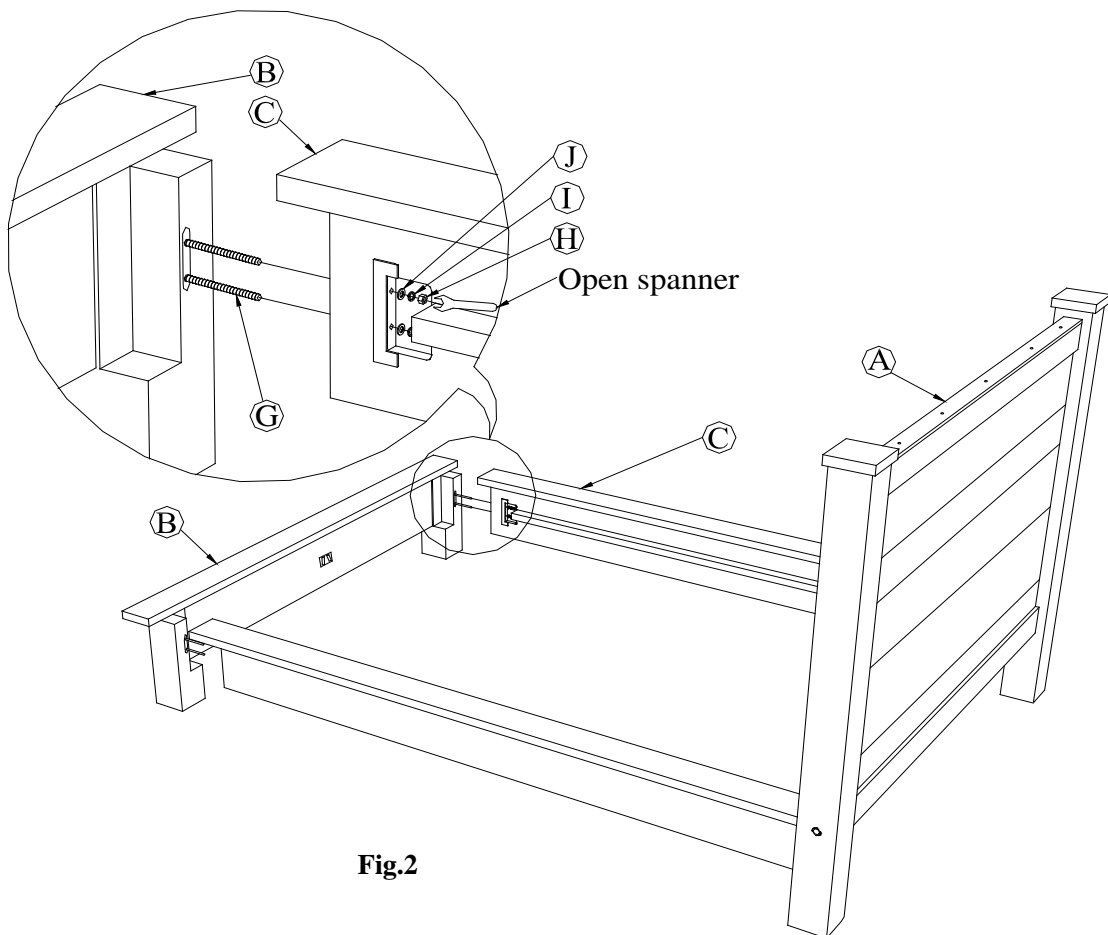


Fig.2

4. Attach support feet (F) to center rail (E) by using Allen bolts (K) with small spring washers (L), small flat washers (M), tighten with Allen key provided. Attach the assembled center rail to headboard (A), footboard (B) by connecting the hooks on end of center rail (E) and the hook on headboard (A)/ footboard (B). Make sure connection is secure. **Fig.3.**

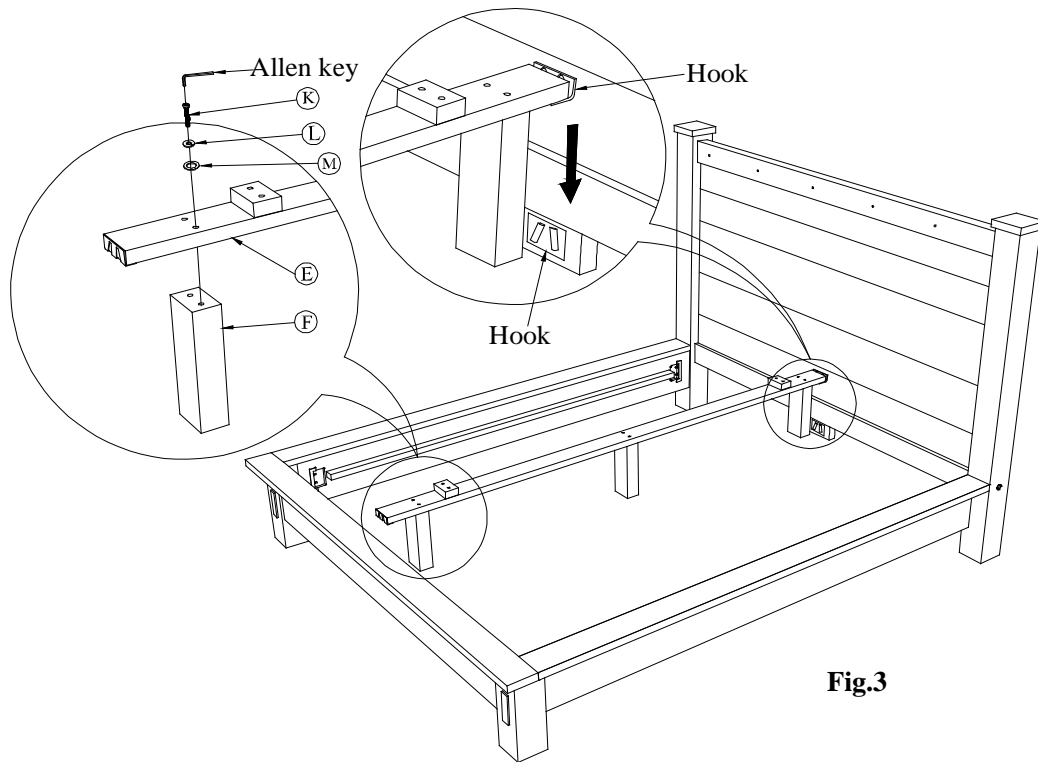


Fig.3

5. Lay slat roll (D) in place over one side rail support and the assembled center rail. Attach by inserting the wood screws (N) through pre-drilled holes on the end slats of slat roll (D) and tightening with Phillips screwdriver (not included). Repeat for another slat roll (D). **Fig. 4**

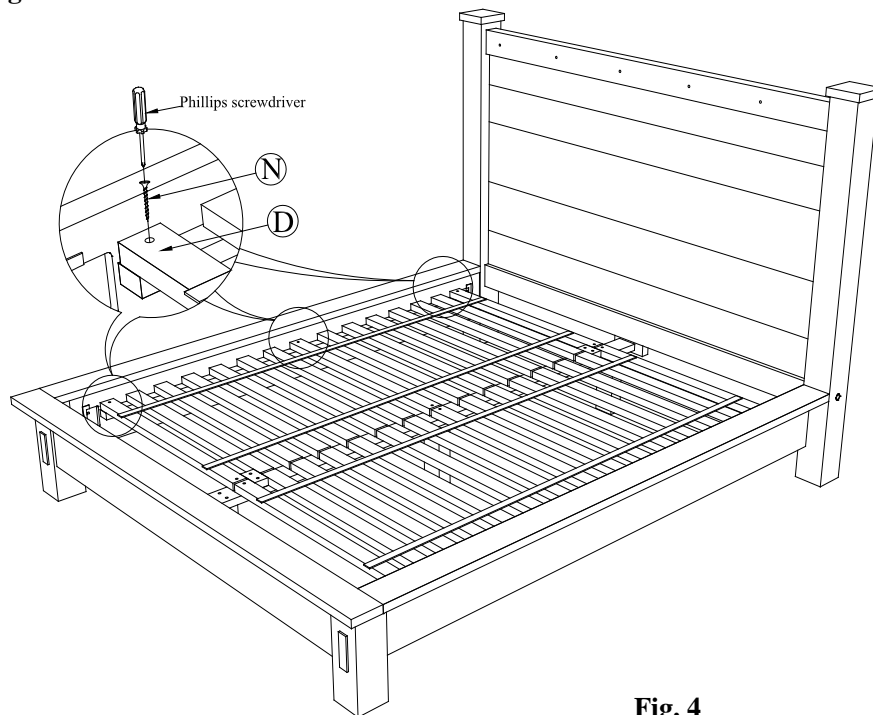


Fig. 4

6. Assembly is complete.

Adjusting Levelers:

Due to an uneven floor, the furniture may not sit level, causing it to wobble. If the piece wobbles, determine which corner does not touch the ground correctly. With three people follow these steps:

1. Carefully lift the item slightly to provide access to the levelers attached to the bottom.
2. Turn the levelers until adequate contact will be made with the floor. Gently set down the piece and check stability.
3. Repeat steps until furniture sits firmly on the ground

Care Instructions:

- Dust with a clean, soft, damp cloth and wipe dry immediately.
- Avoid the use of chemicals and harsh cleaning agents.

Thank you for your purchase.
stores | catalog | www.pbteen.com