

SOPHIE VANITY DESK

ASSEMBLY INSTRUCTION



IMPORTANT SAFETY INSTRUCTIONS:

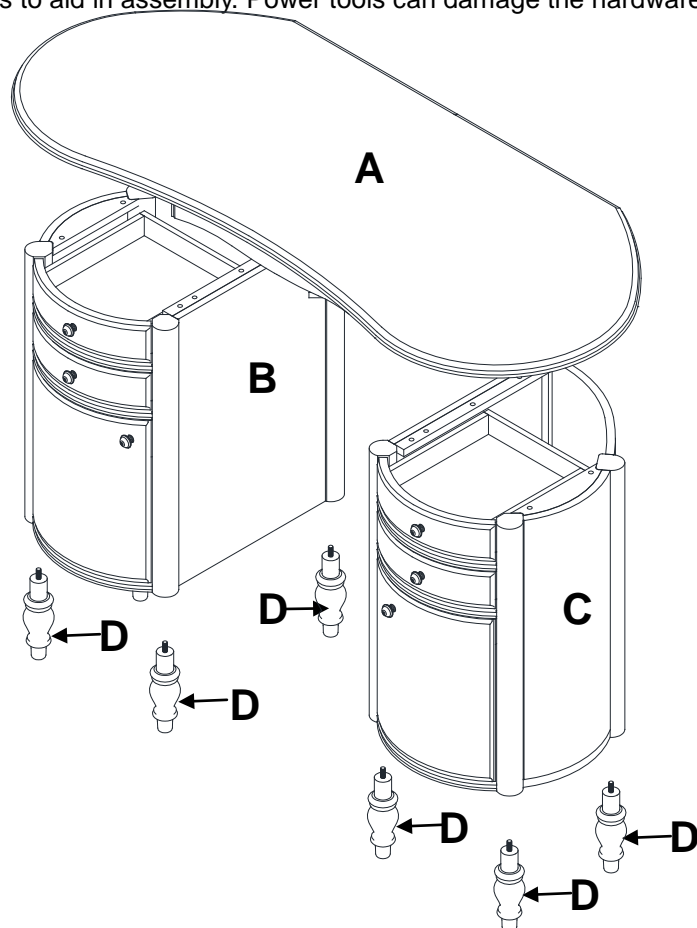
- Please read all instructions carefully before assembling this product.
- For your safety, assembly by two or more adults is strongly recommended.
- Keep these instructions for future use.
- Use only vendor-supplied hardware to assembly this item. Using unauthorized hardware could jeopardize the structural integrity of the item.

PRE- ASSEMBLY:

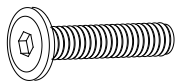




- Remove all parts and hardware from the box. Place them on a carpeted or scratch-free work surface, as this will avoid damaging parts. The shipping box provides an ideal work surface.
- To avoid accidentally discarding small parts or hardware, please do not dispose of any contents until assembly is complete.
- Two people are recommended for your safety and ease of assembly.
- Prior to starting this assembly use the parts and hardware lists to identify and separate each of the pieces included.
- The illustrations provided allow for easier assembly when used in conjunction with the assembly instructions.
- Note: Do not fully tighten any of the bolts until all parts are in place. Failure to follow these instructions may cause the bolts to misalign during assembly.
- Please use caution if using power tools to aid in assembly. Power tools can damage the hardware or split the wood.

PARTS INCLUDED:

- (A) Top - 1 x
- (B) Left Cabinet - 1 x
- (C) Right Cabinet- 1 x
- (D) Bun Feet - 8 x

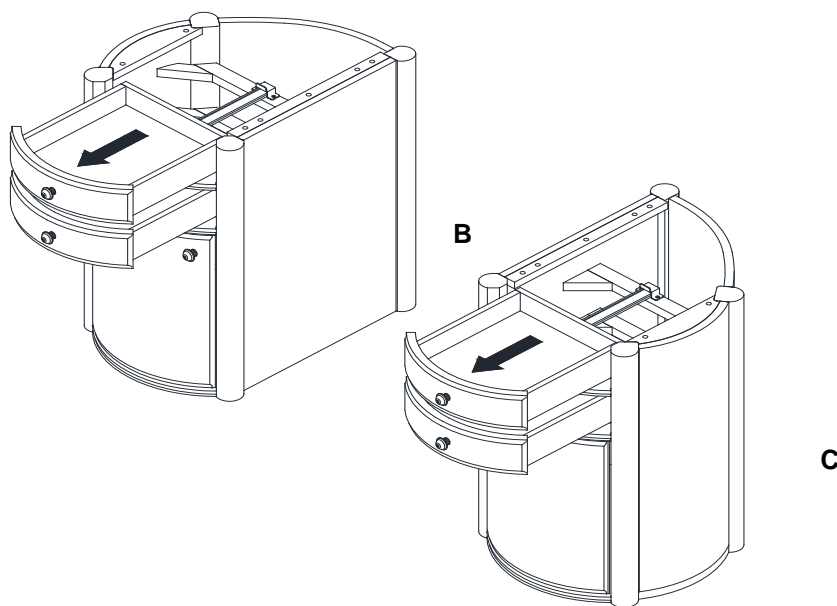


HARDWARE INCLUDED:

<p>(E) Bolt M6x32mm – 10x</p> 			
<p>(F) Lock washer – 10x</p> 	<p>(G) Flat washer – 10x</p> 	<p>(H) Allen key 4mm – 1x</p> 	<p>(I) Dowel 8x30mm – 4x</p> 

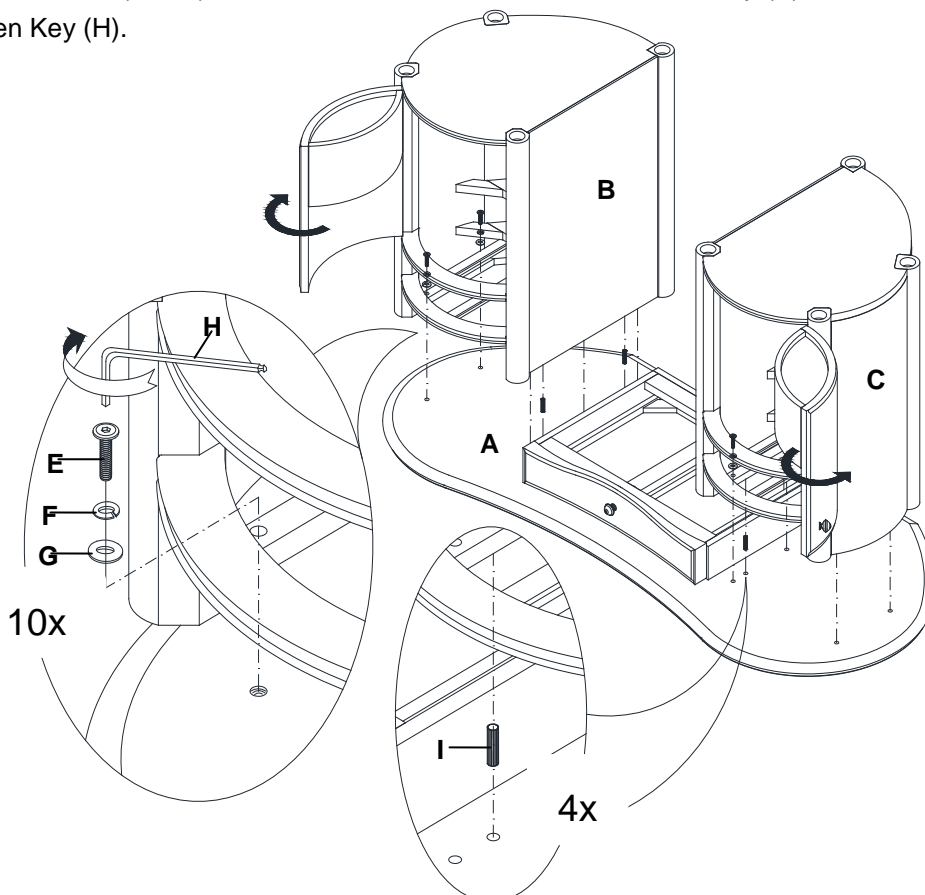
ASSEMBLY INSTRUCTION STEPS:

1. Put all furniture parts on a soft, scratch free surface such as a carpet or rug.
2. Remove all drawers from the Left Cabinet (B) and Right Cabinet (C), as shown below.

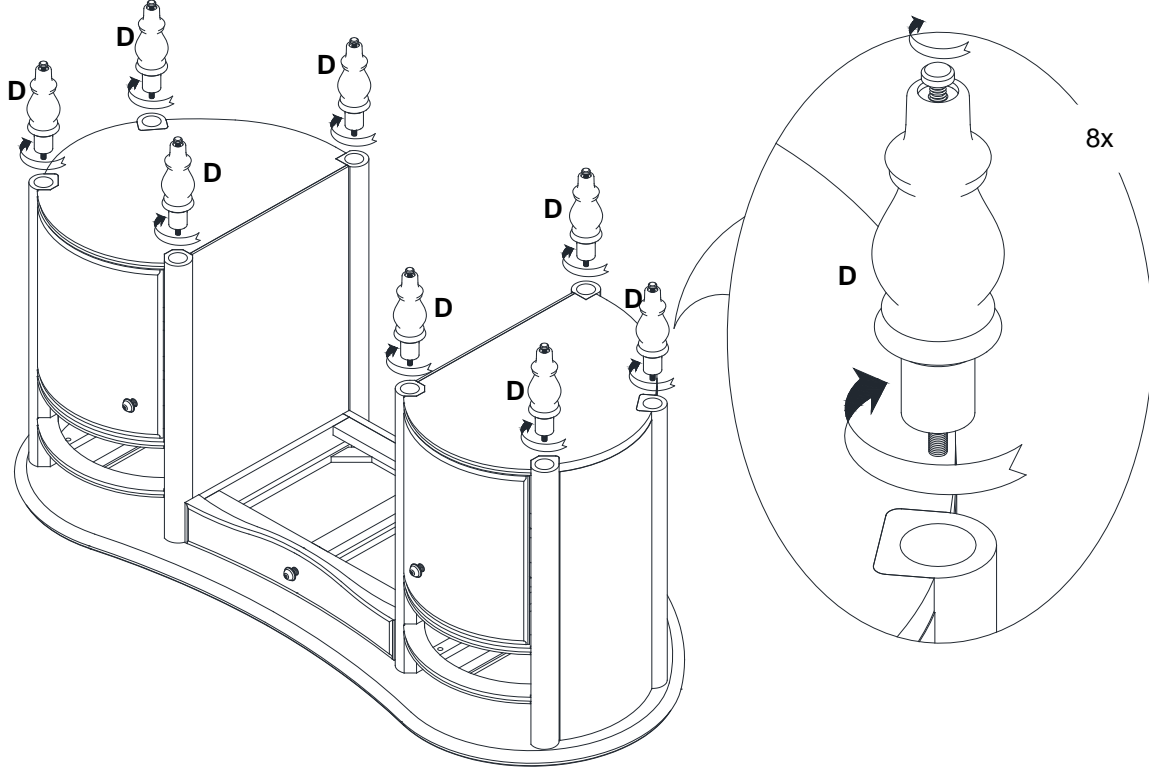


3. Place Top (A) upside down on a soft, scratch free surface such a carpet or rug.
4. Insert 4 wooden dowels (I) into the pre-drilled holes underneath of Top (A).
5. Align the wooden dowels (I) on Top (A) with the pre-drilled holes on the cleats of Left and Right Cabinet (B & C), as seen in the illustration below.
6. Open the doors of the Left Cabinet (B) and Right Cabinet (C).
7. Assemble the Left Cabinet (B) and Right Cabinet (C) onto Top (A).
8. Insert 10 sets of: Bolt (E), Lock Washer (F), and Flat Washer (G) through the pre-drilled holes from the wooden cleats of the Left and Right Cabinets (B & C) and into the metal inserts on the bottom of Top (A), as seen below.
9. Tighten the bolts using Allen Key (H).

E		10x
F		10x
G		10x
I		4x



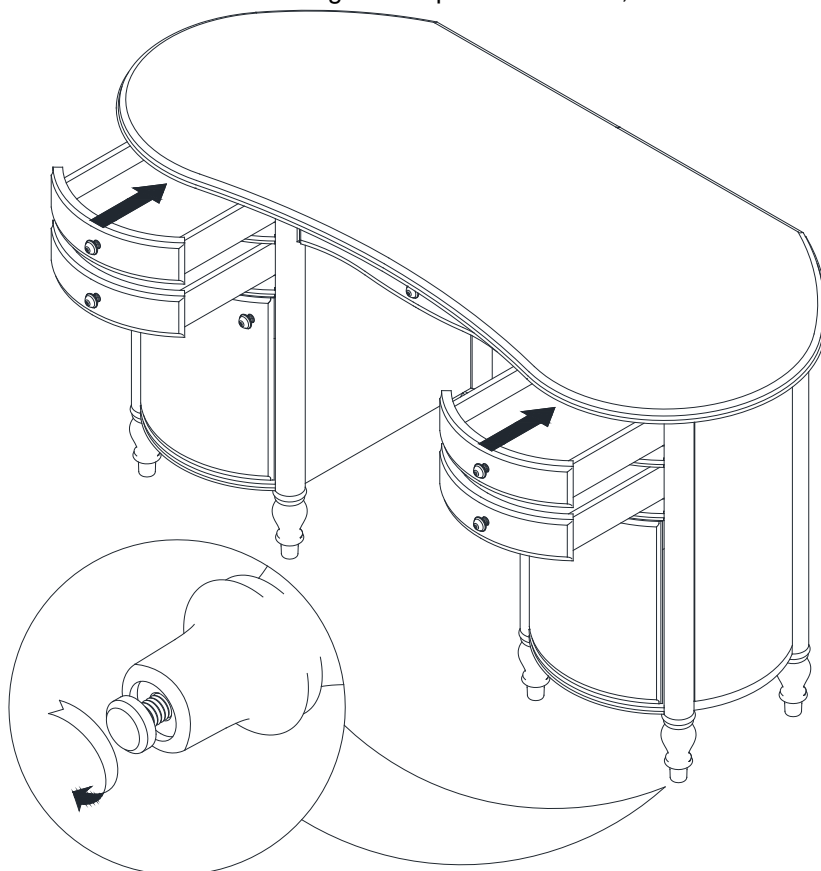
10. Thread the 8 Bun Feet (D) into the posts of the Left and Right Cabinet (B & C) in a clock-wise direction until tight, as seen in the illustration below.



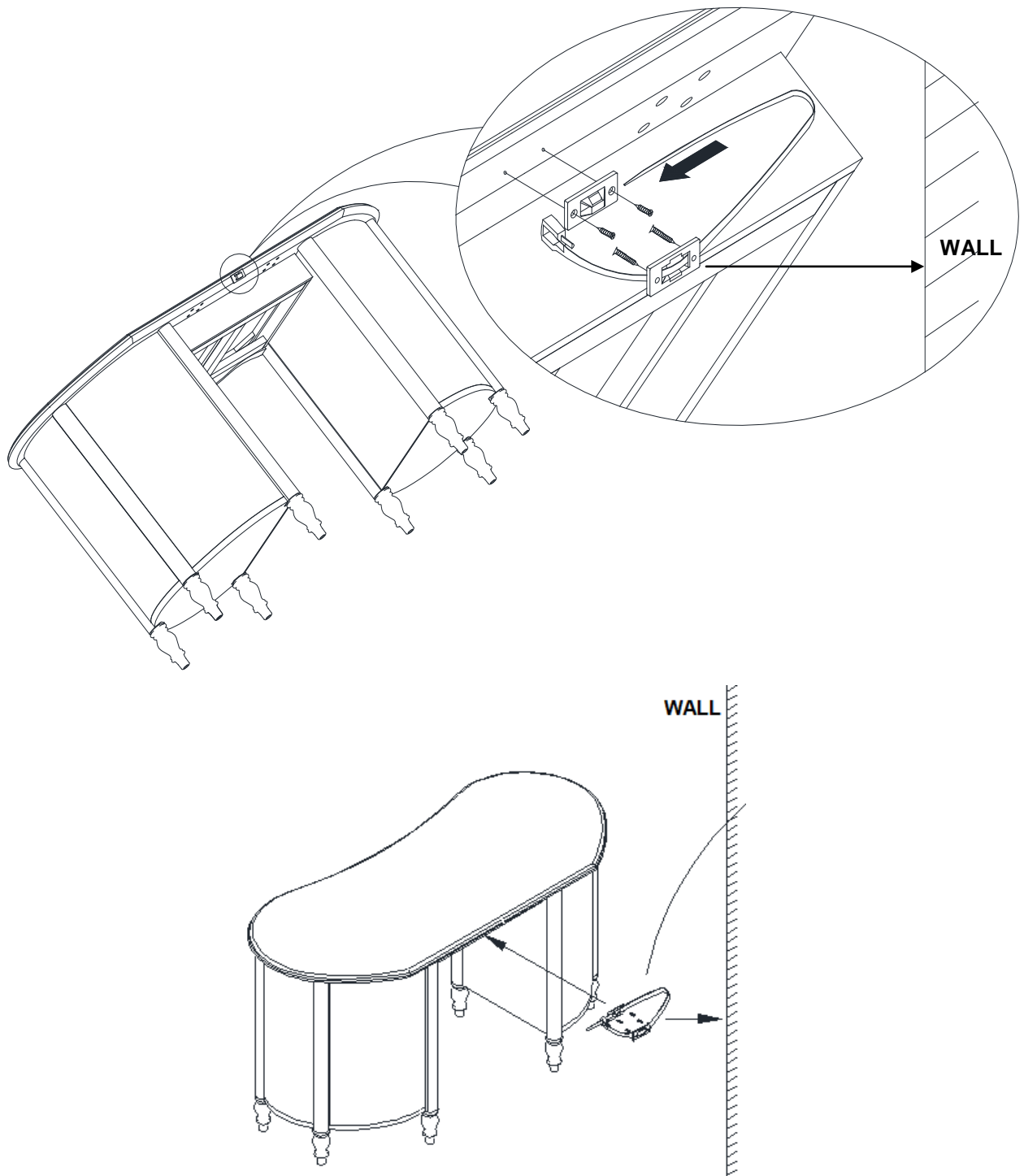
11. Slowly turn the Vanity Desk upright.

12. Place the drawers back into Left and Right Storage (B & C).

13. If needed, adjust the levelers under the legs to keep the desk level, as seen below



14. As a safety precaution, please follow the separated instruction enclosed to secure this Desk to the wall using an anti tip kit. For the position of Anti tip kit, please use the pre-drilled holes underneath the top panel as a guidance, as seen in the illustration below.



CARE INSTRUCTIONS:

- Dust often using a clean, soft, dry, and lint-free cloth.
- Blot spills immediately and wipe with a clean, damp cloth.
- We do not recommend the use of chemical cleansers, abrasives, or furniture polish on our lacquered finish.
- Hardware may loosen over time. Periodically check to make sure all connections are tight.
Re-tighten if necessary.