

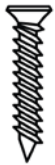




Hannah Beauty Shelf Speaker

Note: This hanging system is meant for drywall/wood stud mounting only. If your walls are made of concrete, brick or plaster, please consult your local hardware store for assistance. We recommend that two people work together to install this item.

Parts Included:

A 	B 	C 
Wall-mount Bracket	Anchors	Screws
1PC	3PCS	3PCS

Tools required for mounting (not included):

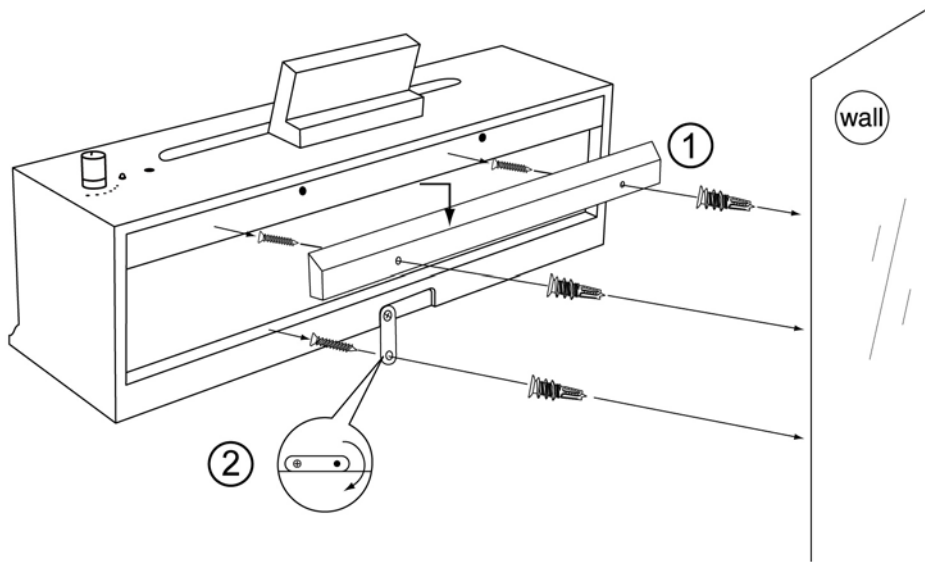
Screwdriver, Level, Pencil, Tape Measure

This item is mounted to a wall using a classic French cleat system. A wall cleat is mounted to the wall and is sized and shaped to engage with a product cleat located on the rear of the product. When you receive this product, the wall cleat should be taped in engagement with the product cleat. Do not remove the cleat yet.

MOUNTING INSTRUCTIONS:

1. With the help of a friend, hold the product against the wall at a desired hanging location. Use a level to make sure the product is level and lightly mark the wall along the entire top edge of the product with a pencil. Set the product aside with access to the rear surface.
2. You will notice that a removable wooden wall cleat is taped in place on the rear of the product. Keeping the cleat in place, use a tape measure to measure a "cleat distance" between the top edge of the product and the lower edge of the removable wall cleat. Record this measurement and remove the cleat.
3. Use the pencil and the tape measure to draw a second line located below the line you made in Step (1). The second lower line is spaced the distance you measured in Step (2).
4. Now hold the cleat against the wall so that its bottom edge aligns with the second lower line. Orient the cleat so that the sharp edge of the cleat is positioned up and away from the wall, as shown in the illustration. While holding the cleat level, use the pencil (or a sharp implement, such as one of the provided long screws) to mark the wall through the two holes of the cleat. Set the cleat aside.
5. Use a screwdriver to install a anchor (B) into the wall at each of the two marks made in Step (4). Rotate the anchor clockwise while pushing it gently into the wall until the wide head of the anchor becomes even with the wall surface. Do not over-tighten. Repeat this step with the other mark and anchor. Note that if either mark aligns with a wall-stud, use just a provide screw at that mark during step (6).
6. Place the cleat so that the holes align with the installed anchors and use the screwdriver to secure a screw (C) through the cleat and into the installed anchor. Rotate the screws clockwise until tight. **MAKE SURE THAT THE SHARP EDGE OF THE CLEAT IS POSITIONED AWAY FROM THE WALL AND FACES UP!**

7. With help of another person, lift the product over the cleat. Gently lower the product until the cleat on product firmly engages the wall-mounted cleat. Before releasing your grip on the product, gently pull the top part of the product to confirm that the cleats are engaged.



Secure the Tie-Down Plate to the Wall (Optional)

A tie-down plate is provided to help prevent accidentally bumping the secured item off the engaged French cleats and to further hold the item to the wall.

8. Rotate the lower tie-down plate located on the bottom of product to vertical position, as shown in the illustration. Mark the wall through the screw hole of the plate. Rotate the plate aside and follow Step (5) to install the last of the three provided anchors at the mark. Once installed, return the tie-down plate so that the hole in the plate aligns with the installed anchor. Use the screwdriver to secure the screw through the plate and into the installed anchor so that the plate is secured to the wall.

WARNING:

- Electrical shock hazard may cause death or serious injury.
- Do not operate speaker using AC adaptor near water. Always plug adaptor into speaker before plugging into an outlet.
- This unit is intended for wall use only.

CAUTION: To reduce the risk of electric shock and fire, do not open any section on this docking station. There are no user serviceable parts inside.

Accessories Included:

(1) AC Adaptor
BL switching power supply
Model NO : BL15-050250-U
Input: 100-240V~50/60Hz 0.5A
Output: DC 5V-2.5A

This Class B digital apparatus complies with Canadian ICES-003.

Operating Instruction:

1. Make sure speaker is turned off. (Rotate Volume dial all the way to the left).

Insert small end of the enclosed AC adaptor into Adaptor input. Plug the other end of the adaptor into a wall outlet. NOTE: Use only power adaptor with the following specification: **Input AC 100-240V / Output DC5V 2.5A; cTUVus listed.**

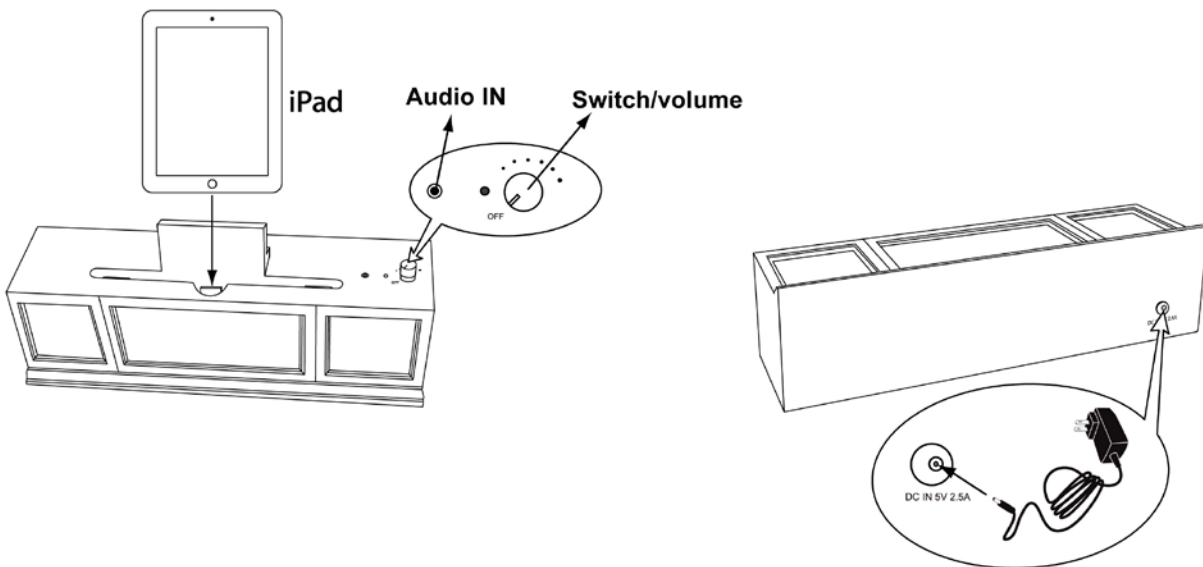
2. Plug your iPad directly to pin located at the front-center of the docking station before turning volume dial. Rotate Volume dial to the right to turn on the speaker unit. Use the iPad volume control to set the main volume. Adjust the docking station volume dial to desired sound level. This docking station will automatically function as a charging unit for your iPad.
3. For MP3 player, plug a stereo cord (not included) into the AUDIO IN jack. Plug another end of the stereo cord into headphone jack on your MP3 player.
4. Playing music using MP3's controls and adjust the volume either by using volume control on the docking station or your MP3 player's volume control. (NOTE: you may need to experiment to find the right volume setting for the MP3 player and/or the speaker set)

NOTE:

This device complies with Part 15 of the FCC Rules. Operation is subject to the following two conditions:

- (1) This device may not cause harmful interference, and
- (2) This device must accept any interference received, including interference that may cause undesired operation.

Changes or modifications to this unit not expressly approved by the party responsible for compliance could void the user's authority to operate the equipment



NOTE: This equipment has been tested and found to comply with the limits for a Class B digital device, pursuant to Part 15 of the FCC Rules. These limits are designed to provide reasonable protection against harmful interference in a residential installation. This equipment generates uses and can radiate radio frequency energy and, if not installed and used in accordance with the instructions, may cause harmful interference to radio communications. However, there is no guarantee that interference will not occur in a particular installation. If this equipment does cause harmful interference to radio or television reception, which can be determined by turning the equipment off and on, the user is encouraged to try to correct the interference by one or more of the following measures:

- Reorient or relocate the receiving antenna.
- Increase the separation between the equipment and receiver.
- Connect the equipment into an outlet on a circuit different from that to which the receiver is connected.
- Consult the dealer or an experienced radio/TV technician for help

CARE INSTRUCTIONS:

- Dust often using a soft, dry cloth
- Do not use glass cleaner, abrasives, wax or household cleaners as they may damage the finish on the product.

Thank you for your purchase.
www.pbteen.com