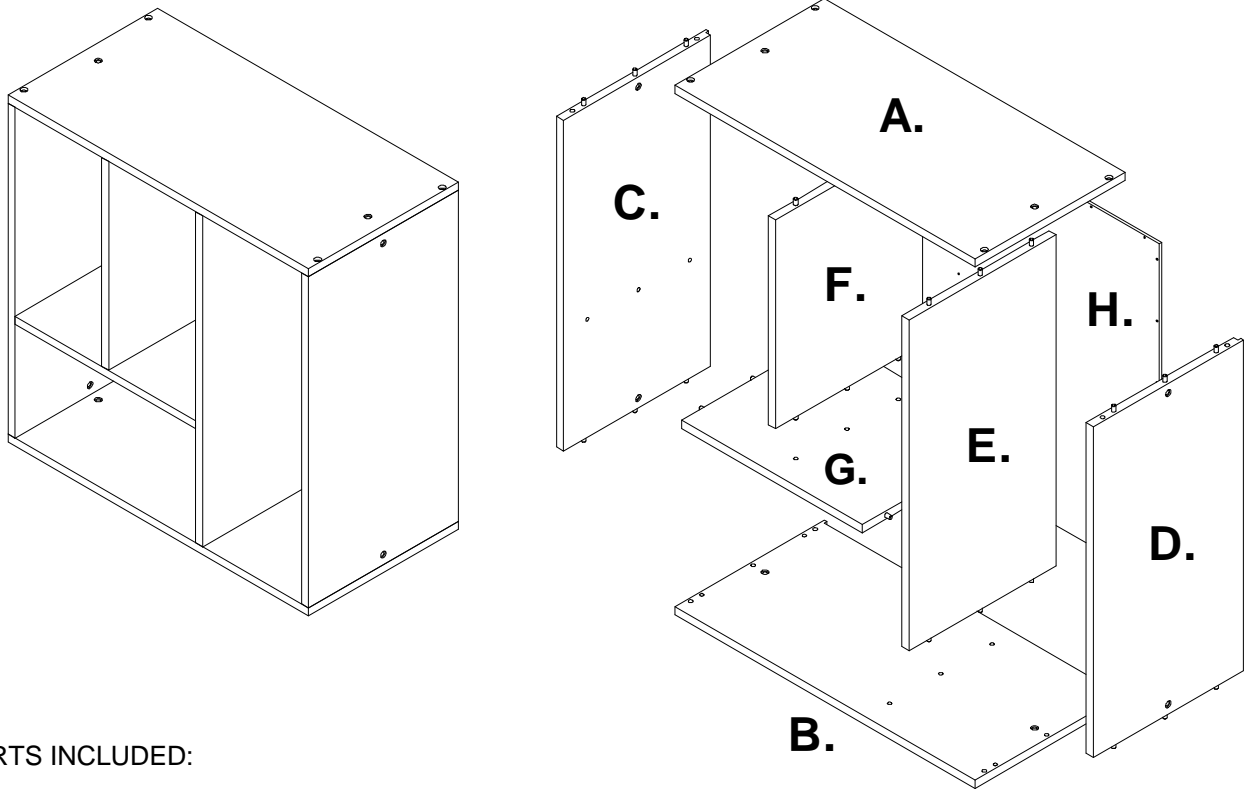





STACK ME UP BOOKCASE – ASYMMETRICAL




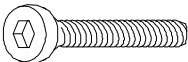
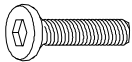




PARTS INCLUDED:

- (A) Top Panel – 1pc
- (B) Bottom Panel – 1pc
- (C) Left Panel – 1pc
- (D) Right Panel – 1pc
- (E) Long Divider – 1pc
- (F) Short Divider – 1pc
- (G) Short Shelf – 1pc
- (H) Back Panel – 1pc

TOOLS REQUIRED:

Philips Screwdriver (Not included) 

HARDWARE LIST:

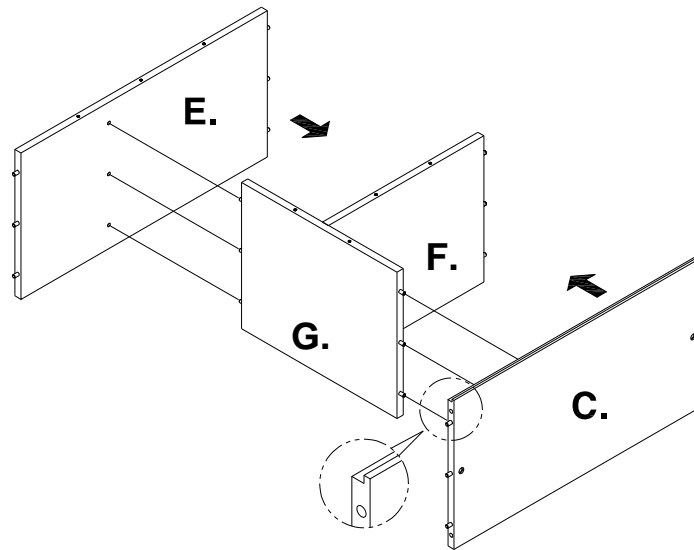
 (I) Allen Key – 1x	 (J) Long Bolt 1/4"x25mm – 10x	 (K) Short Bolt 1/4"x9mm – 6x
 (L) Spring Washer 1/4" – 8x	 (M) Flat Washer 1/4" – 8x	 (N) End Cap – 8x
 (O) Wood Screw 3.5x15mm – 31x		

PRE-ASSEMBLY:

- For your safety and ease, assembly by two adults is recommended.
- Please read all instructions before beginning assembly. The illustrations provided allow for easier assembly when used in conjunction with the assembly instructions.
- Remove all parts and hardware from box and lay out on a carpeted or scratch-free work surface. The shipping box provides an ideal work surface. Do not dispose of any contents until assembly is completed to avoid accidentally discarding small parts or hardware.
- Use the parts and hardware lists to identify and separate each of the pieces included prior to starting assembly.
- Note: DO not fully tighten the bolts until all parts are in place. Failure to follow these instructions may cause the bolts to misalign during assembly.
- Do not use power drill as it may cause cracking.

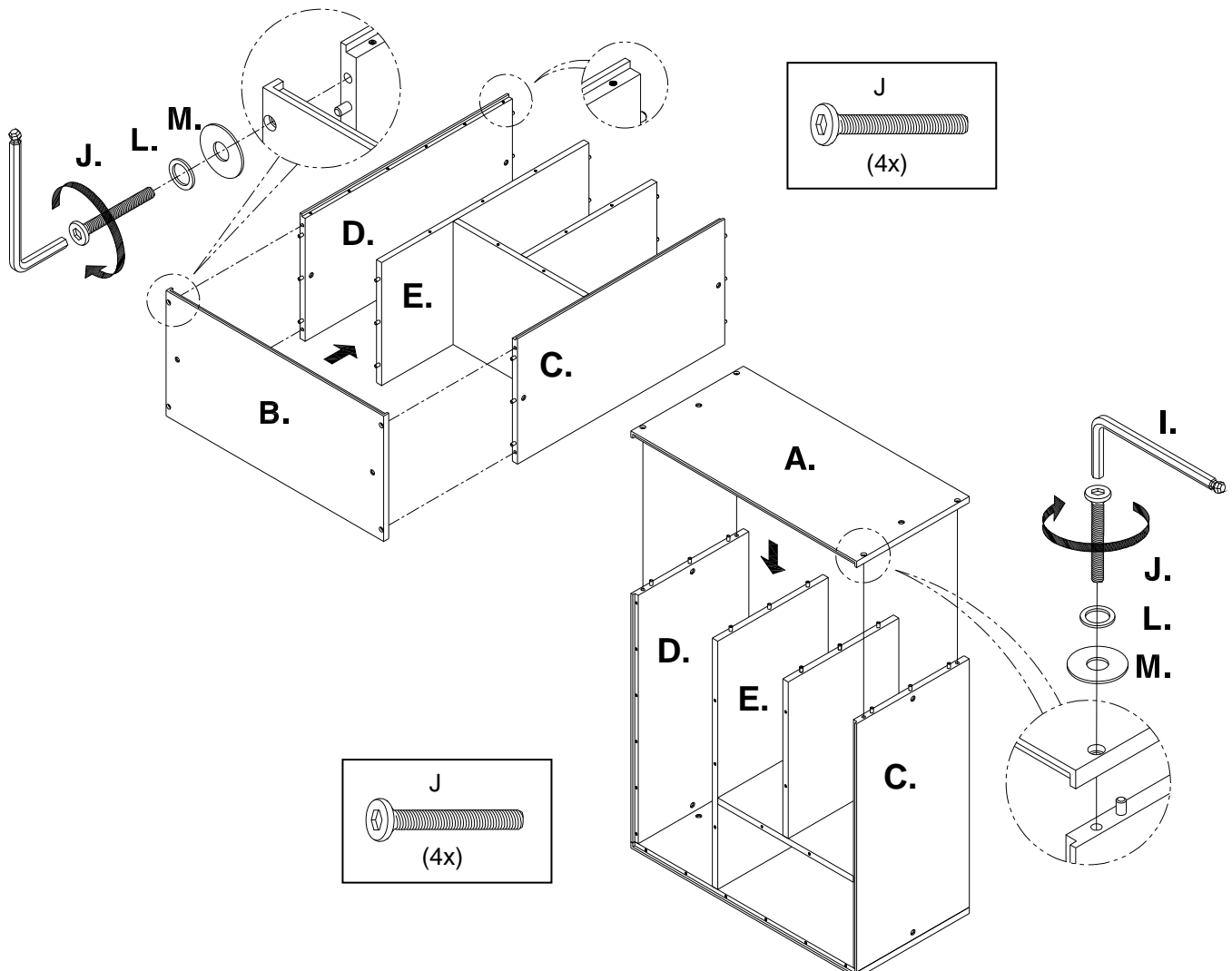
ASSEMBLY INSTRUCTIONS:

1. Fit Short Divider (F), Short Shelf (G), Left Panel (C), and Long Divider (E) to each other using the corresponding dowel and hole location on each parts as shown below.

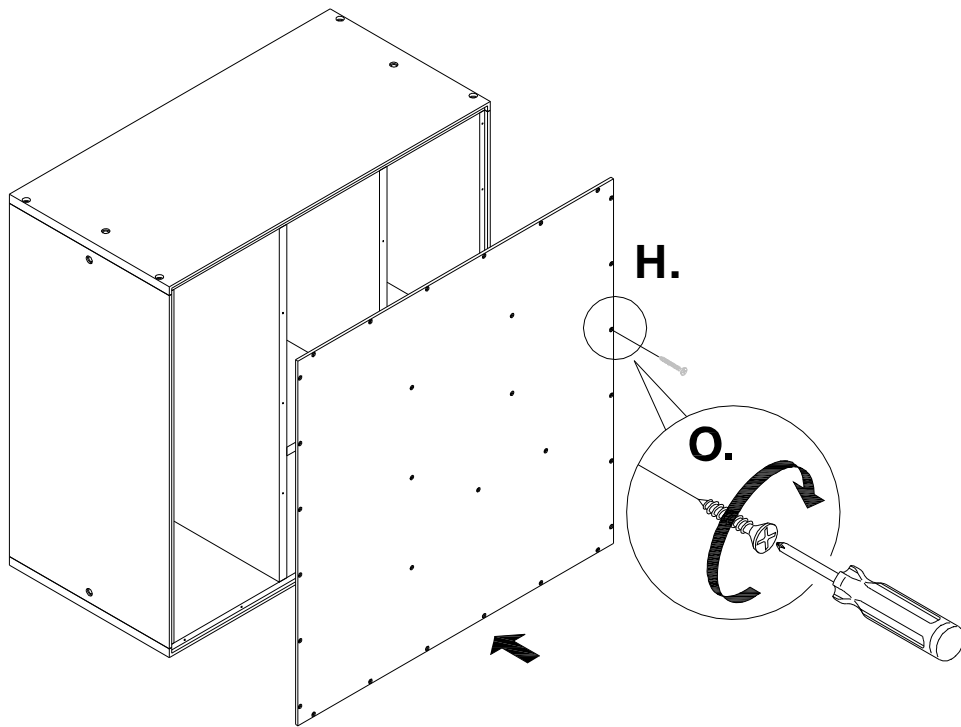


2. Fit Bottom Panel (B) to the parts already assembled in prior step by aligning the corresponding dowel and hole location from each parts. Align and fit the Right Side Panel (D) to Bottom Panel (B). Secure Bottom Panel (B) to Side Panel (C&D) by using (4x) Long Bolts (J) with Spring washer (L) and Flat Washer (M). Tighten using Allen Key (I). Make sure not to over tighten the bolts.

Turn the assembled piece upright as shown below. Align and secure Top Panel (A) to the assembled parts by using (4x) Long Bolts (J) with washers (L&M). Tighten using Allen key (I). Make sure not to over tighten the bolts.

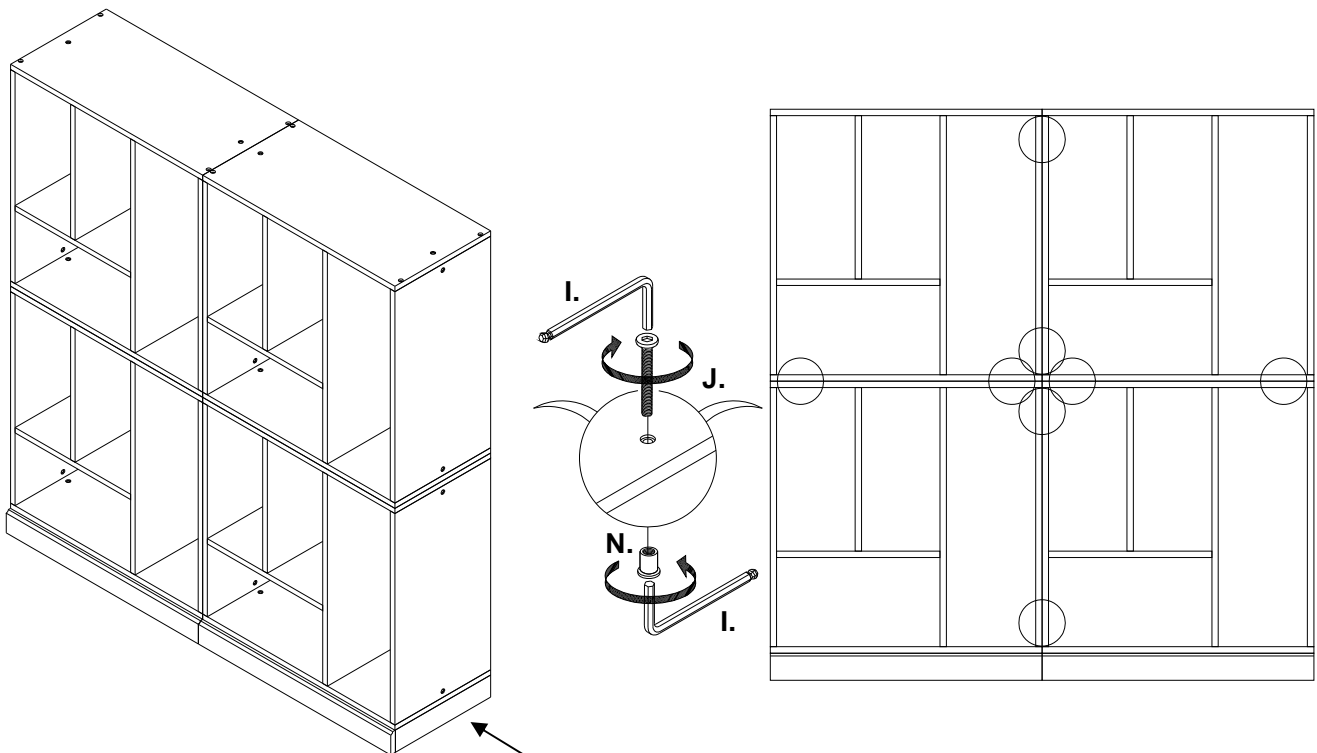


- Attach Back Panel (H) to back edges of the bookcase. Make sure Back Panel holes (H) matches corresponding pre-drilled holes on the back edge of the bookcase. Make sure cabinet is square before you start securing the back panel in place. Secure Back Panel (H) to the bookcase using (31x) Wood Screws (O).



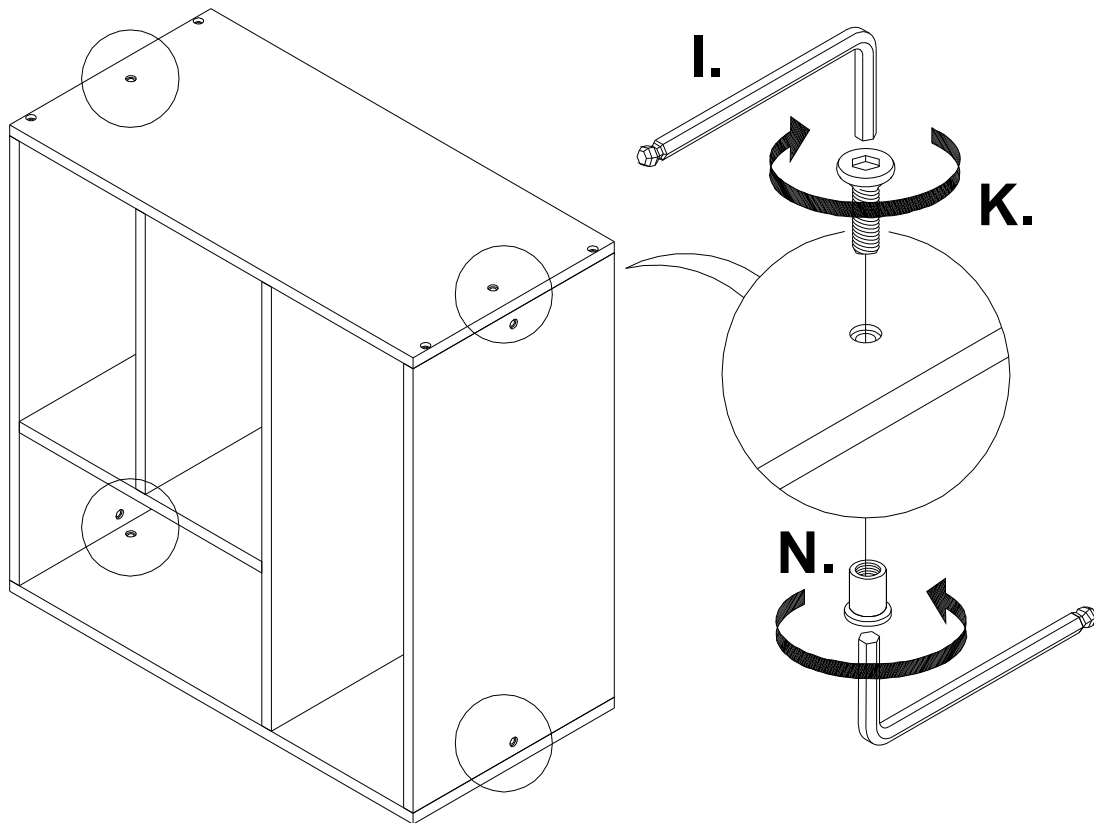
- When stacking and connecting bookcases to each other, it is necessary to secure them using the Long Bolt (J) and End Cap (N). The picture on the right below show the connection points (circles) where the Long Bolt (J) and End Cap (N) must be used. Tighten bolts and end caps using Allen Key (I).

NOTE: 2 UNITS STACKED VERTICALLY WITH THE BASE IS THE MAXIMUM HEIGHT ALLOWED.



Shown here with optional base sold separately

5. Short Bolt (K) and End Cap (N) are supplied to cover unused connection holes as shown below. Tighten bolts and end caps using Allen Key (I).



CARE INSTRUCTIONS:

- Dust often using a clean, soft, dry lint-free cloth.
- Blot spills immediately, and wipe with a clean, damp, cloth.
- We do not recommend the use of chemical cleansers, abrasives, or furniture polish on our lacquered finish.



FURNITURE TIPPING RESTRAINT

WARNING: This product is only a deterrent. It is not a substitute for proper adult supervision. Manufacturer assumes no liability for improper installation or excessive loads placed on screws, brackets or straps.

Young children may be injured by tipping furniture and the use of a tipping restraint is highly recommended.

When properly installed, this restraint will provide protection against tipping of furniture. This tipping restraint **MUST** be secured to a wall-stud or wall structure of similar strength.

Hardware included: (2) Brackets (1) Nylon Strap
(2) Long Stud Mounting Screws (2) Short Furniture-Side Mounting Screws

Note: For safe mounting it is essential to use the proper hardware for your wall type. The included hardware is for drywall or stud mounting only. For other wall types (e.g., plaster, concrete and brick) please consult your local hardware store for fastener advice.

To install:

1) LOCATING THE STUDS: Use a stud finder to locate the vertical wooden studs within your wall located behind the final position of the furniture item. Mark the stud locations with a light pencil-mark.

2) MOUNTING THE FURNITURE-SIDE BRACKET: Move the furniture item close to the wall to its final position. Use pieces of tape or a pencil to transcribe the stud locations of the wall onto the furniture item. Move the furniture item again so you can access its back and use the marks to locate a suitable mounting point for the furniture-side bracket. Make sure that the bracket is secured to a firm portion of the furniture frame and as high as possible. Remember: The furniture-side bracket must be positioned near a wall stud. Using a pencil, and the bracket as a guide, mark "screw marks" on the furniture item through the bracket holes.

Use a 3/32" drill bit to drill pilot holes into the furniture item at the "screw marks". Use the TWO Short screws to secure the furniture-side bracket. This bracket can be positioned either vertically or horizontal as necessary (See Figure 1).

3) MOUNTING THE WALL-SIDE BRACKET: Position the wall-side bracket along the selected stud mark so that it will be adjacent the furniture-side bracket when the furniture item is moved to its final position. The wall-side bracket should be about ONE inch lower than the furniture-side bracket (See Figure 3). Use the TWO Long screws to secure the wall-side bracket to the wall. Remember to position the wall-side bracket vertically so that both screws will engage the selected wall stud (See Figure 2).

4) ATTACHING THE STRAP: When both brackets are securely attached, move the furniture to its final desired position and thread the strap through the openings of each bracket and also through the ratcheting "buckle". Tighten the strap until several "clicks" are heard. The furniture item is now securely tethered to the wall.

Note: If you must move the furniture item, you can release the strap by depressing the lever arm located at its buckle and simultaneously withdrawing the strap from the buckle. Make sure to reconnect the strap once the furniture item is returned to its previous position.

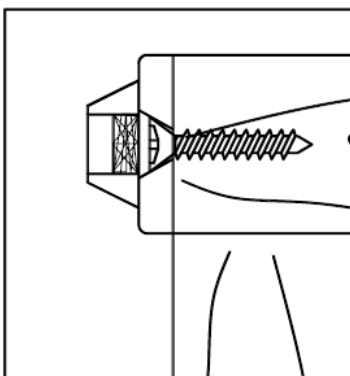


Figure 1

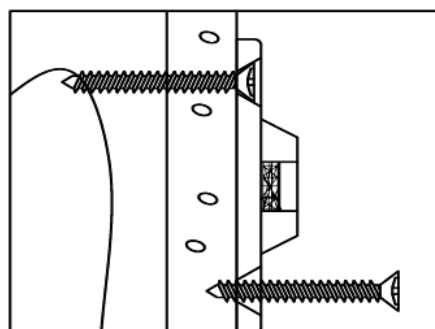


Figure 2

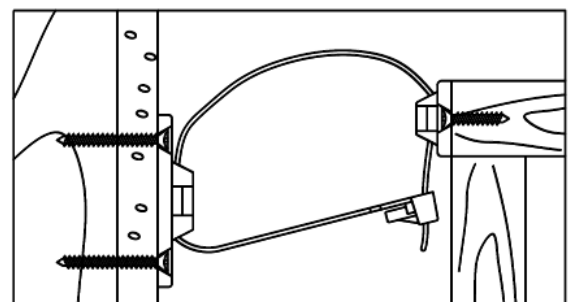


Figure 3