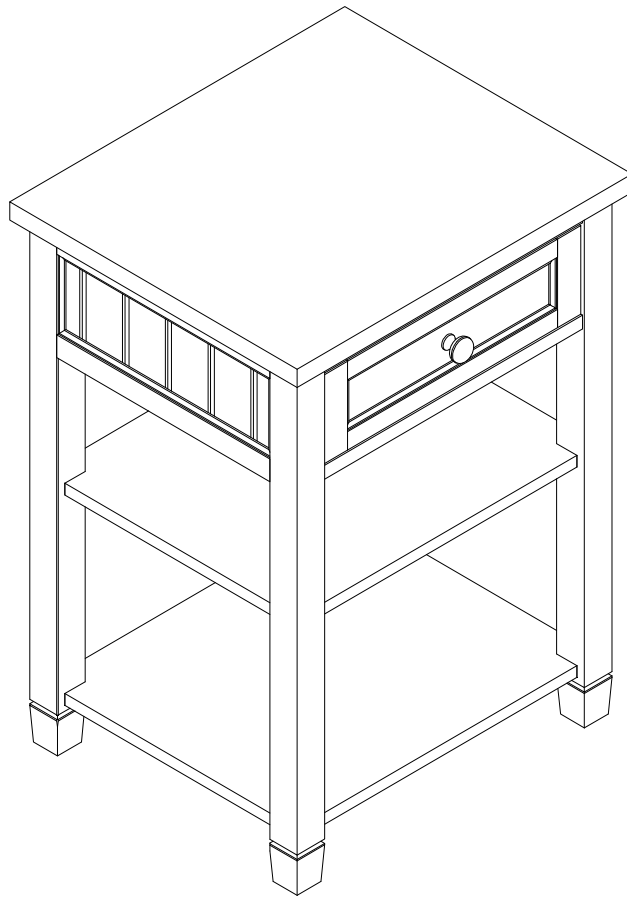




BEADBOARD BEDSIDE

ASSEMBLY INSTRUCTIONS



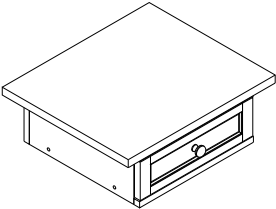
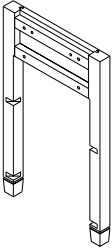
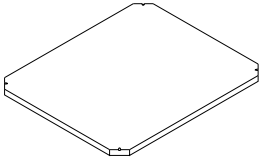
Important Safety Instructions:

- Please read all instructions carefully before assembling this bedside.
- For your safety, assembly by two or more adults is strongly recommended.
- Keep these instructions for future use.
- Use only vendor-supplied hardware to assemble this item. Using unauthorized hardware could jeopardize the structural integrity of the item.


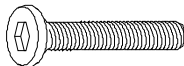
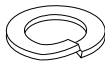


Pre-assembly:

- Remove all parts and hardware from the box. Place all items on a carpeted or scratch-free work surface, as this will avoid damaging parts during assembly. The shipping box provides an ideal work surface.
- To avoid accidentally discarding small parts or hardware, do not dispose of any packaging or contents of the shipping carton until assembly is complete.
- Use the parts and hardware lists below to identify and separate each of the pieces included.
- The illustrations provided allow for easier assembly when used in conjunction with the assembly instructions.
- The use of power tools to aid in assembly is not recommended. Power tools can damage the hardware and split the wood.

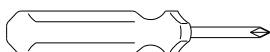
Parts Included:

(A) Top Unit – 1x	(B) Frame Leg – 2x	(C) Shelf – 2x
		

Hardware Included:

 <p>(D) Allen Key – 1x</p>	 <p>(E) Bolt 1/4"x 32mm – 8x</p>	 <p>(F) Spring Washer 1/4" – 8x</p>
 <p>(G) Flat Washer 1/4" – 8x</p>	 <p>(H) Wood Screw 4x25mm – 8x</p>	

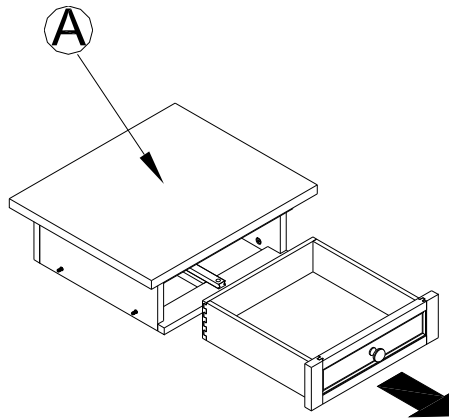
Tools Required:






Philips Head Screwdriver (not included)

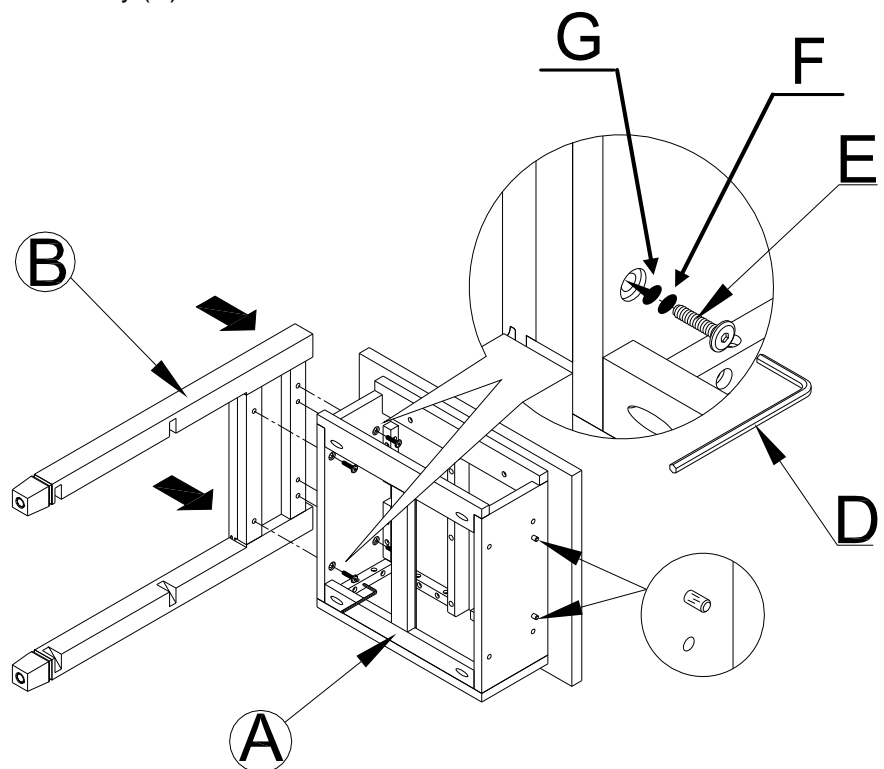
Assembly Instruction Steps:

1. Place Top Unit (A) on a soft, scratch-free surface.
2. Slowly pull out the drawer box, as seen in the illustration below. Keep the drawer box for later use.



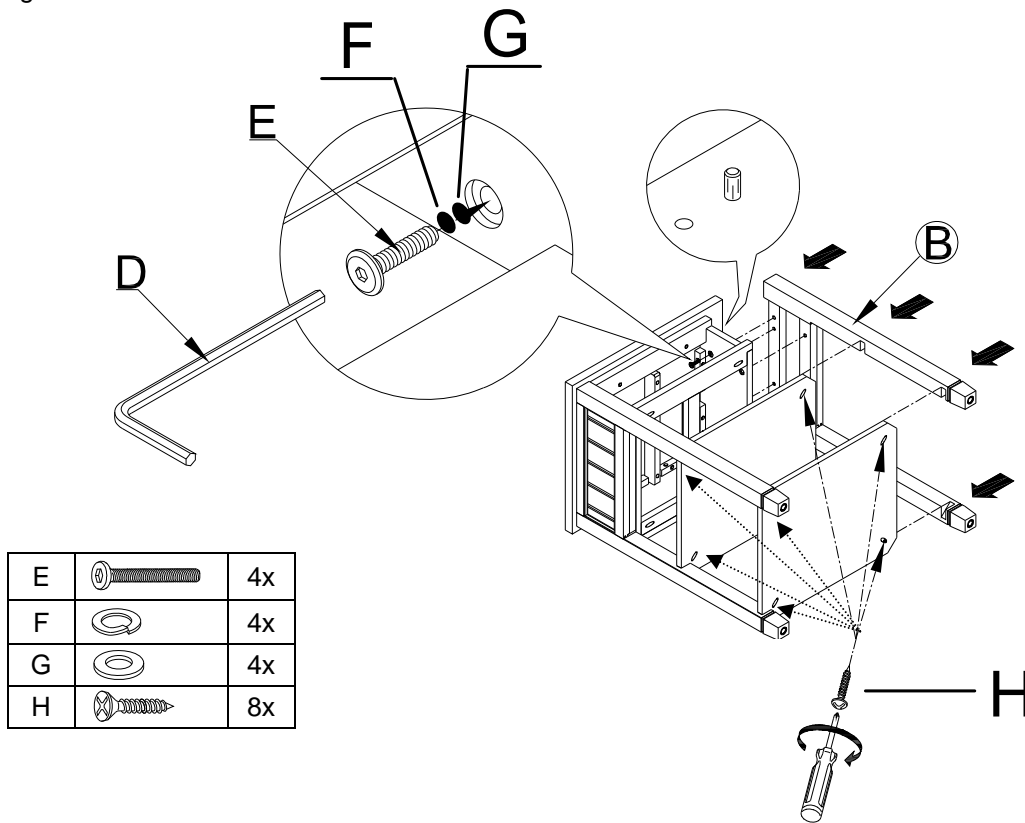
3. Align the pre-drilled holes found on 1 of the Frame Legs (B), to the wooden dowels located on the side panel of the Top Unit (A), as seen in the illustration below.
4. Secure from the interior of Top Unit (A): 4 sets of Bolt (E), Spring Washer (F), and Flat Washer (G) into the pre-drilled holes located on the Frame Leg (B).
5. Tighten loosely with the supplied Allen Key (D).

E		4x
F		4x
G		4x

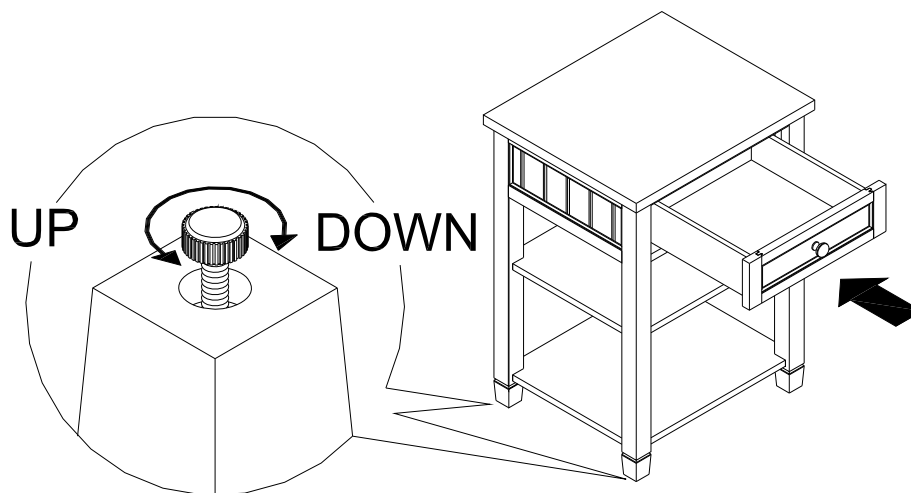


6. Slide both of the Shelves (C) into the grooves of Frame Leg (B), with the pre-drilled holes facing downwards, as seen in the illustration below.
7. Secure (2) Wood Screws (H) into the pre-drilled holes at the bottom of each Shelf (C).
8. Tighten the Wood Screws (H) with the Phillips Head Screwdriver. Do not over tighten.
9. Assemble the remaining Frame Leg (B) to the Top Unit (A) and Shelves (C) by aligning the pre-drilled holes of the Frame Leg (B) to the wooden dowels (located on the side panel of the Top Unit). Make sure the Shelves (C) go into the grooves of Frame Leg (B) at the same time.
10. Secure from the interiors of Top Unit (A): 4 sets of Bolt (E), Spring Washer (F), and Flat Washer (G) into the pre-drilled holes located on Frame Leg (B), as seen in the illustration below.
11. Loosely tighten with Allen Key (D).

12. Insert (2) Wood Screw (H) into the pre-drilled holes at the bottom of each Shelf (C) by using a Phillips Head Screwdriver (not included). Do not over tighten.
13. Re-tighten all bolts and screws at this time.



14. Turn the Bedside Table upright.
15. Put the drawer box back into the Top Unit (A).
16. When needed, adjust the levelers located under the legs to keep the bedside level.



Care Instructions:

- Dust often using a clean, soft, dry, and lint-free cloth.
- Blot spills immediately and wipe with a clean, damp cloth.
- We do not recommend the use of chemical cleansers, abrasives, or furniture polish on our lacquered finish.
- Hardware may loosen over time. Periodically check to make sure all connections are tight. Re-tighten if necessary