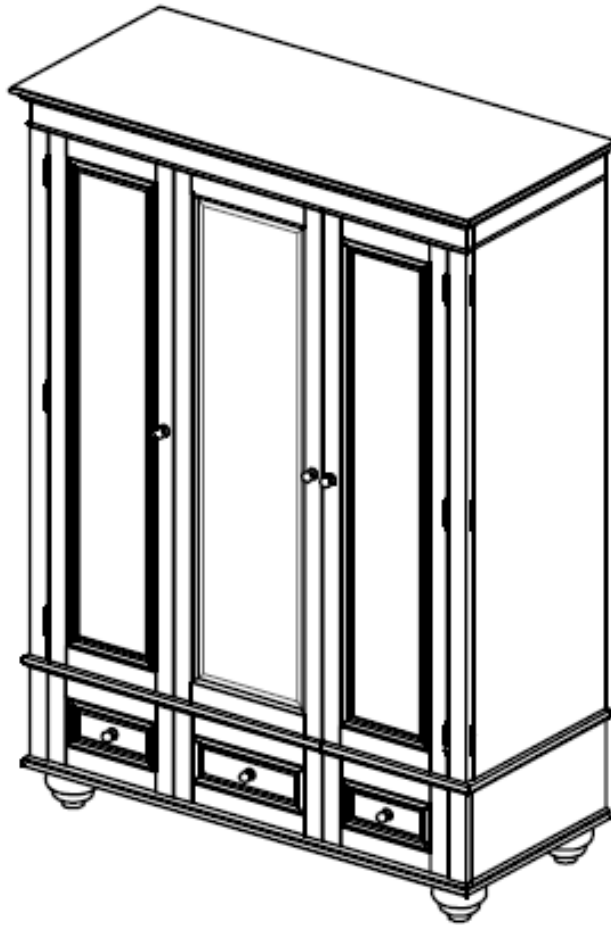




## CHELSEA ARMOIRE

### ASSEMBLY INSTRUCTIONS



**Important Safety Instructions:**

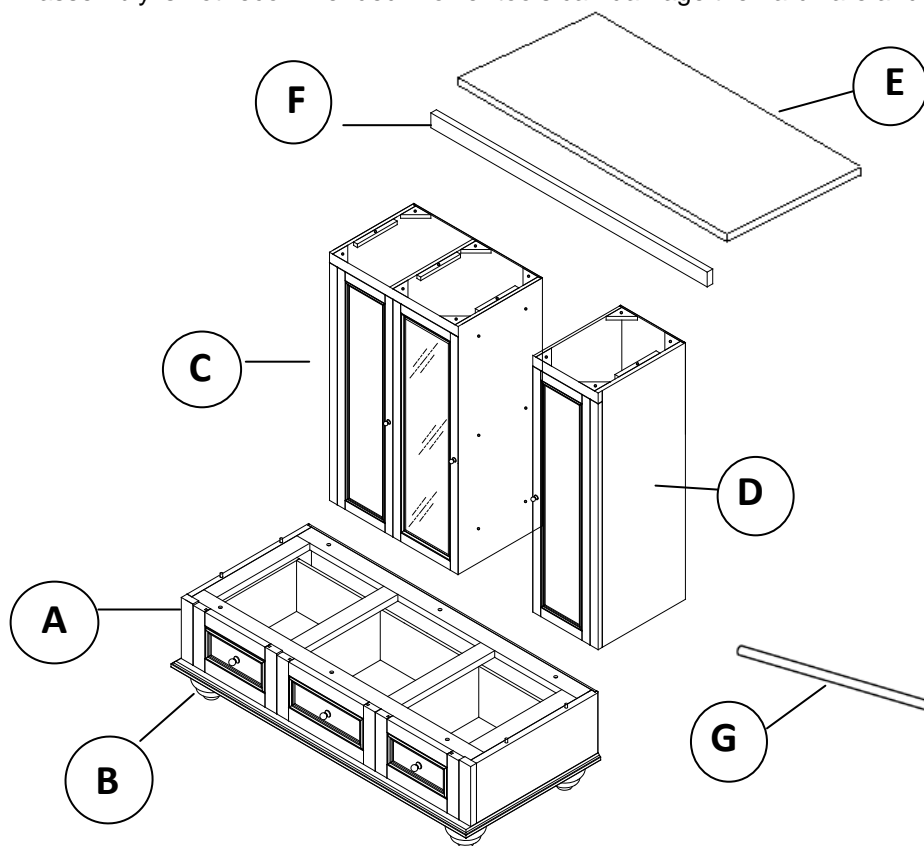
- Please read all instructions carefully before assembling this Armoire.
- For your safety, assembly by two or more adults is strongly recommended.
- Keep these instructions for future use.
- Use only vendor-supplied hardware to assemble this item. Using unauthorized hardware could jeopardize the structural integrity of the item.

**Pre-assembly:**





- Remove all parts and hardware from the box. Place all items on a carpeted or scratch-free work surface, as this will avoid damaging parts during assembly. The shipping box provides an ideal work surface.
- To avoid accidentally discarding small parts or hardware, do not dispose of any packaging or contents of the shipping carton until assembly is complete.
- Use the parts and hardware lists below to identify and separate each of the pieces included.
- The illustrations provided allow for easier assembly when used in conjunction with the assembly instructions.
- The use of power tools to aid in assembly is not recommended. Power tools can damage the hardware and split the wood.

**Parts Included:**

- (A) Base (1x)
- (B) Leg (4x)
- (C) Left Storage (1x)
- (D) Right Storage (1x)
- (E) Top (1x)
- (F) Top Front Molding (1x)
- (G) Clothes Rod (1x)



**Hardware Included:**

<p>(H) Bolt 1/4" x 1" – 25x</p> 	<p>(I) Spring Washer 1/4" – 25x</p> 	<p>(J) Lock Washer 1/4" – 25x</p> 	<p>(K) Allen Key M4 x110 x 30 -1x</p> 
---	---	---	---

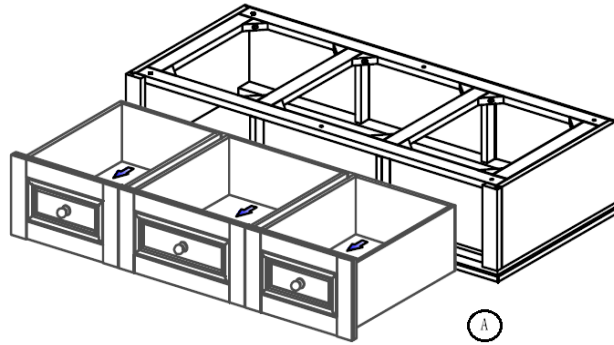
**Tools Required (not included):**



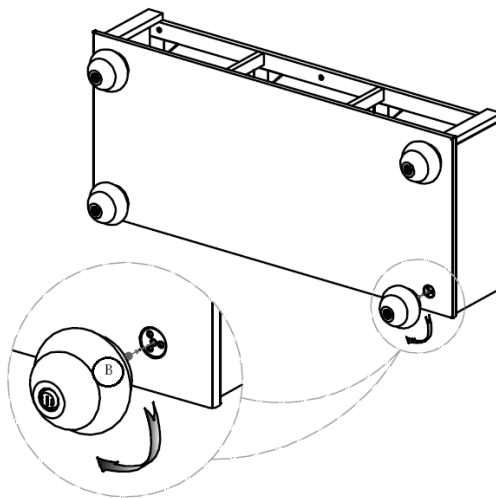
Phillips Head Screwdriver

### Assembly Instruction Steps:

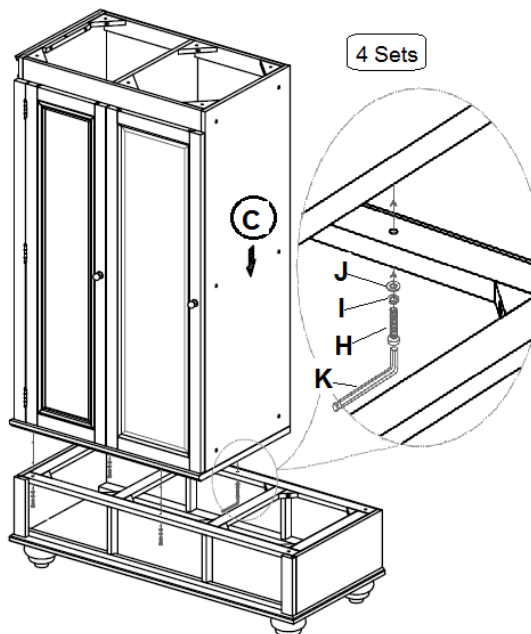
1. Remove the drawers from Base (A), as seen in the illustration below. Save the drawers for later use.



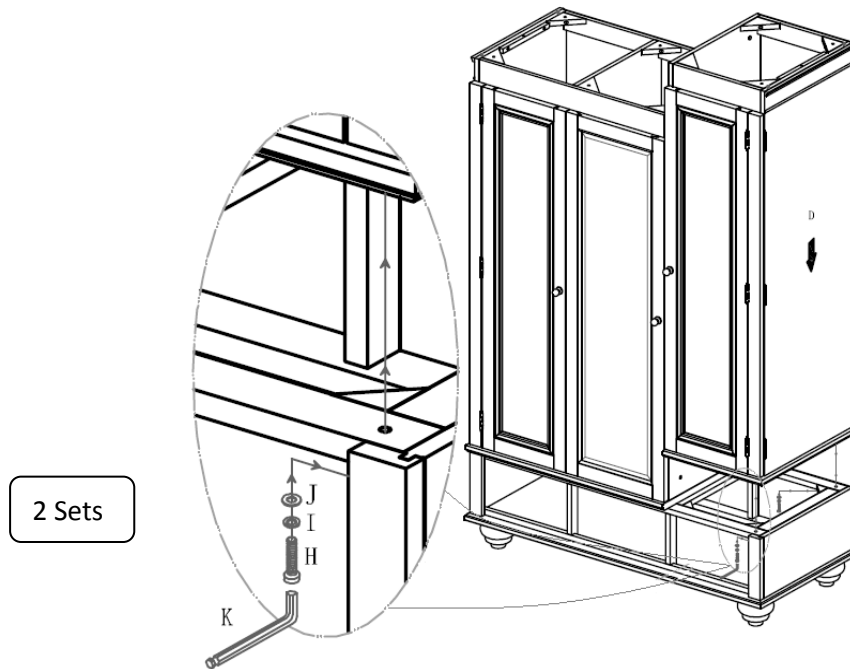
2. Carefully turn Base (A) on its back, as seen in the illustration below.
3. Insert the exposed screws of the Legs (B) into the pre-fixed mounting plates on the bottom of each corner of Base (A).
4. Turn each Leg (B) clockwise until tight, as seen in the illustration below.



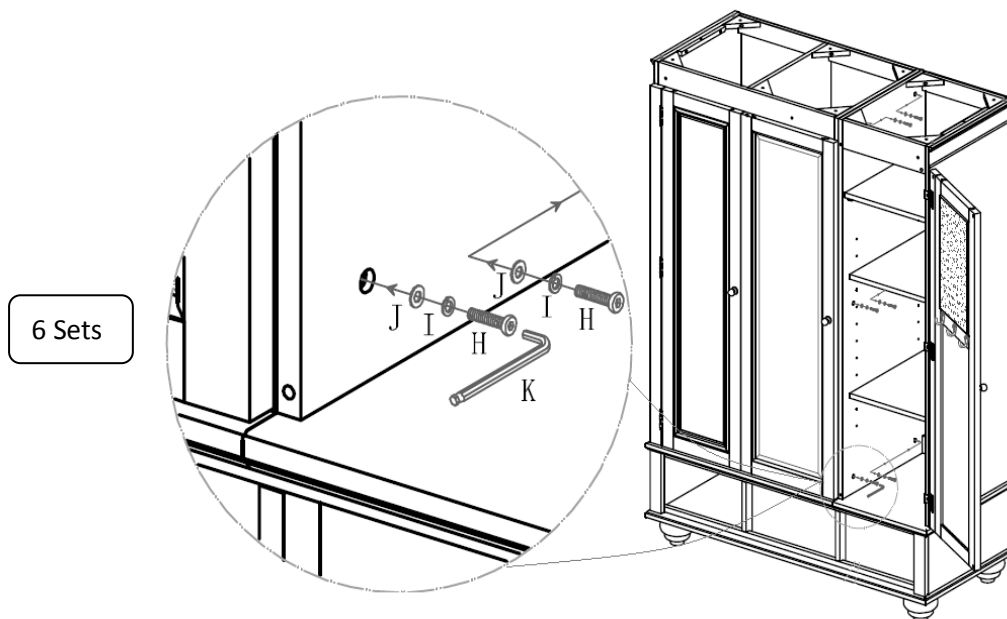
5. Turn Base (A) upright.
6. Place the Left Storage (C) onto the left side of Base (A), as seen in the illustration below.
7. Align the pre-drilled holes on the top of Base (A) to pre-drilled holes on the Left Storage (C).
8. Insert from the bottom: 4 sets of Bolt (H), Spring Washer (I), and Flat Washer (J) through the pre-drilled holes on the top of Base (A), to the pre-fixed insert nuts on the bottom of the Left Storage (C).
9. Tighten with the Allen Key (K).



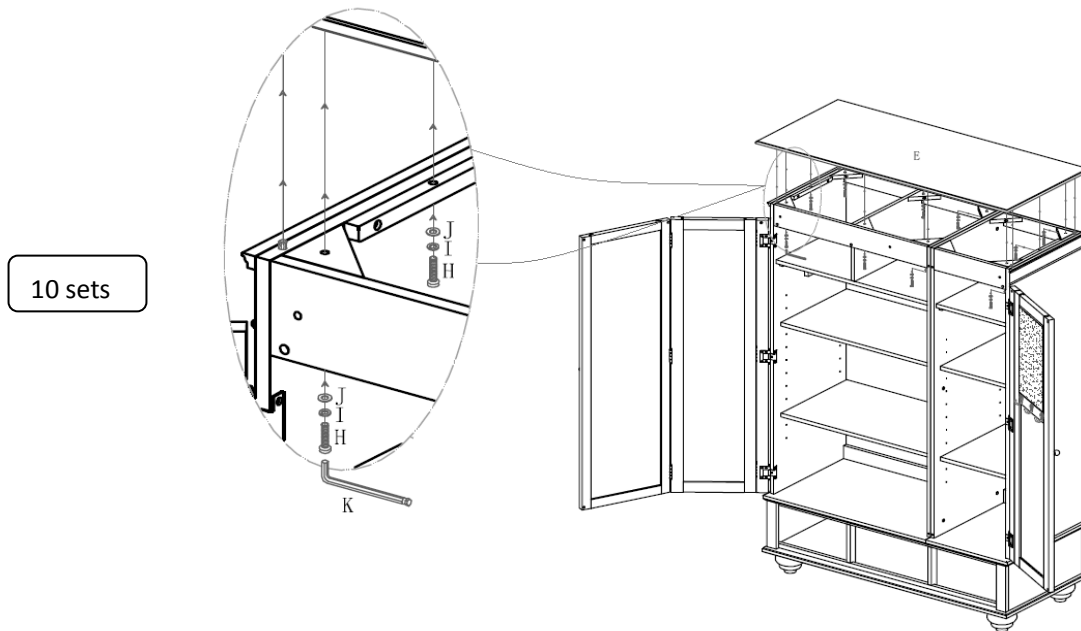
10. Place the Right Storage (D) onto the right side of the Base (A), as seen in the illustration below.
11. Align the pre-drilled holes on the top of the Base (A), to the pre-drilled holes on the Right Storage (D).
12. Insert from the bottom: 2 sets of Bolt (H), Spring Washer (I), and Flat Washer (J) through the pre-drilled holes on the top of Base (A), to the pre-fixed insert nuts on the bottom of the Right Storage (D).
13. Tighten with Allen Key (K).



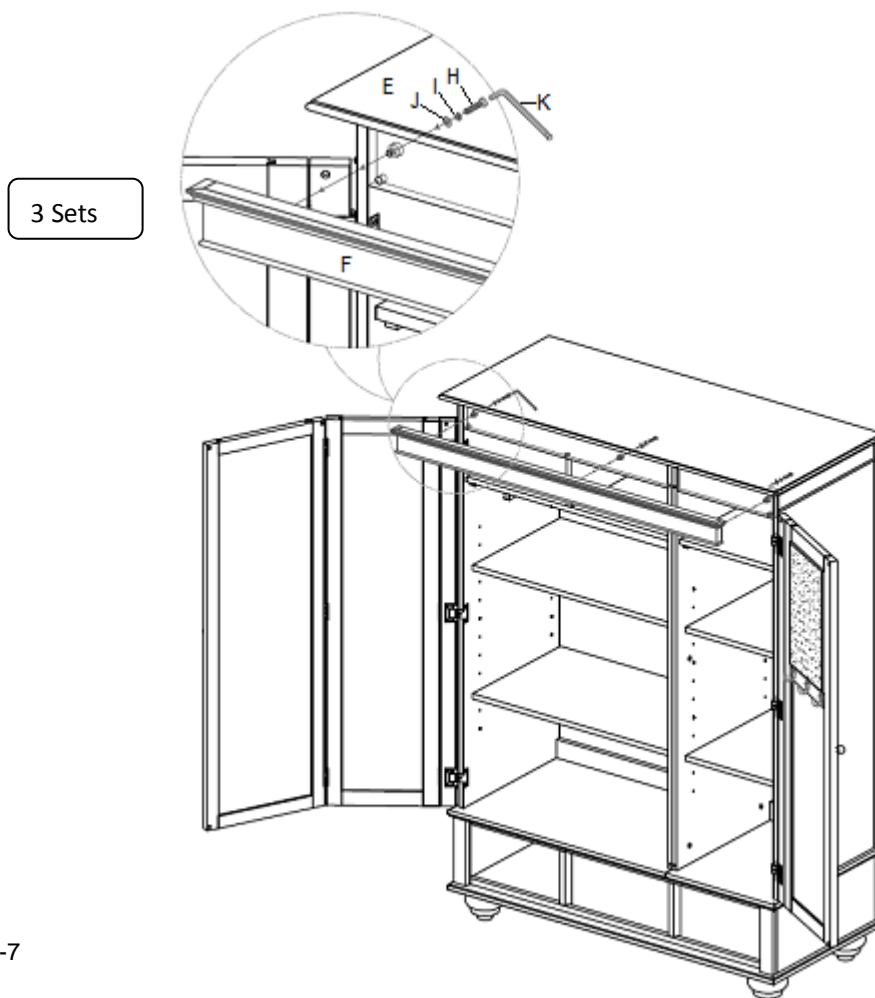
14. Open the door of the Right Storage (D).
15. Insert 6 sets of: Bolt (H), Spring Washer (I), and Flat Washer (J) through the pre-drilled holes on the left side panel of the Right Storage (D), to the pre-fixed insert nuts on the right side panel of the Left Storage (C).
16. Tighten with Allen Key (K).



17. Open the door of the Left Storage (C).
18. Place Top (E) on top of the Left & Right Storages (C& D), as seen in the illustration below.
19. Insert 10 sets of Bolt (H), Spring Washer (I) and Flat Washer (J) through the holes on the top interior of both the Left & Right Storages (C&D) and then into the pre-fixed insert nuts underneath Top (E).
20. Tighten with Allen Key (K).

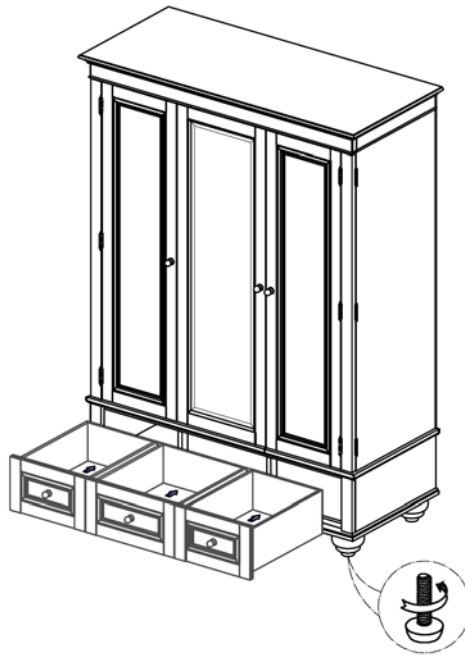


21. Place the Top Front Molding (F) onto the top front of the Left and Right Storages (C&D), as seen in the illustration below.
22. Insert 3 sets of Bolt (H), Spring Washer (I), and Flat Washer (J) through the pre-drilled holes on the top front of the Left and Right Storages (C&D) and into the pre-fixed insert nuts on the Top Front Molding (F).
23. Tighten with Allen Key (K).



24. Put the drawers back into Base (A), as seen in the illustration below.

25. To make the Armoire sit level, adjust the levelers located on the bottom of each of the Legs (B).



26. Place the Clothes Rod (G) onto the rod holder attached on the 2 side panels of Storage (C).

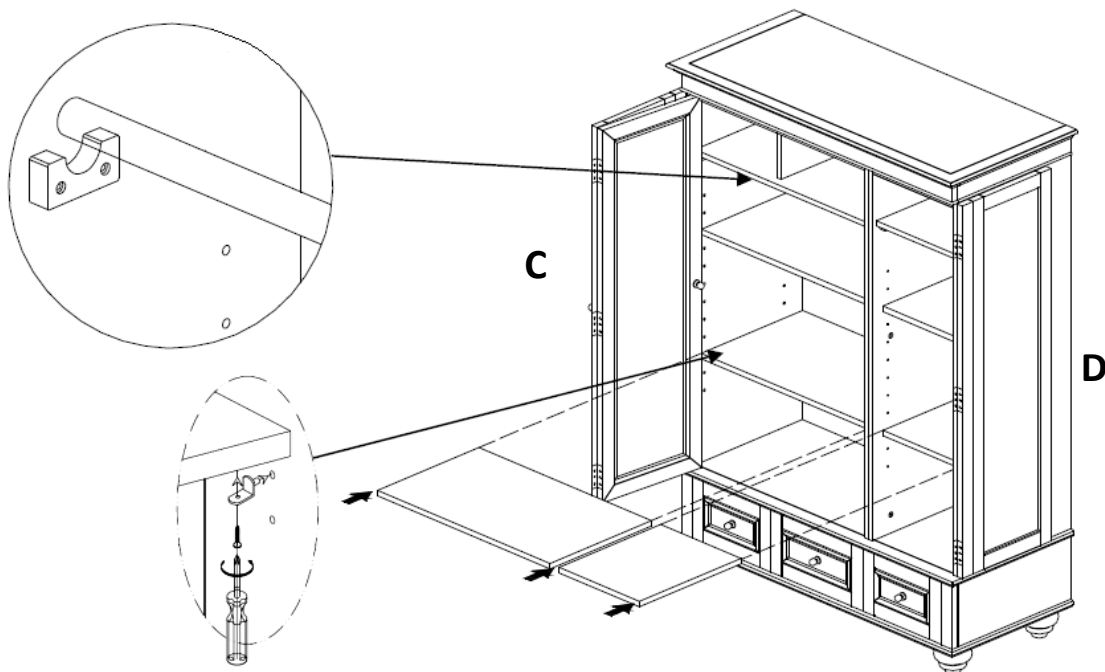
27. If you want to adjust the shelves, unfix the screws of the shelf pins. Take out the shelves from the storages.

28. Insert the shelf pins into the pre-drilled holes on the two sides of the storages with the new position.

29. Place back the shelves onto the shelf pins.

30. Re-tighten the screws to fix the shelves again.

31. Make sure each shelf has 4 shelf pins supporting underneath.



#### Care Instructions:

- Dust often using a clean, soft, dry, and lint-free cloth.
- Blot spills immediately and wipe with a clean, damp cloth.
- We do not recommend the use of chemical cleansers, abrasives, or furniture polish on our lacquered finish.
- Hardware may loosen over time. Periodically check to make sure all connections are tight.  
Re-tighten if necessary.