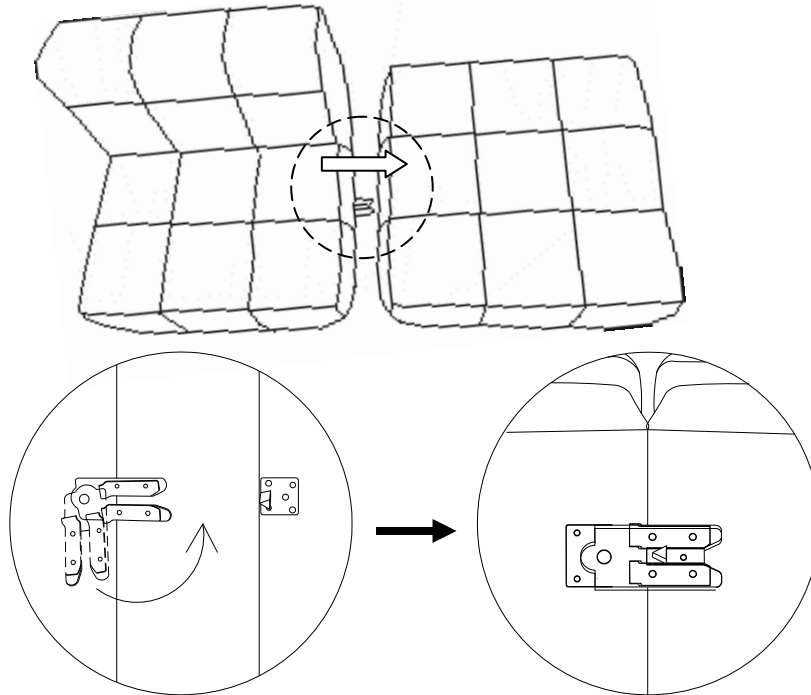


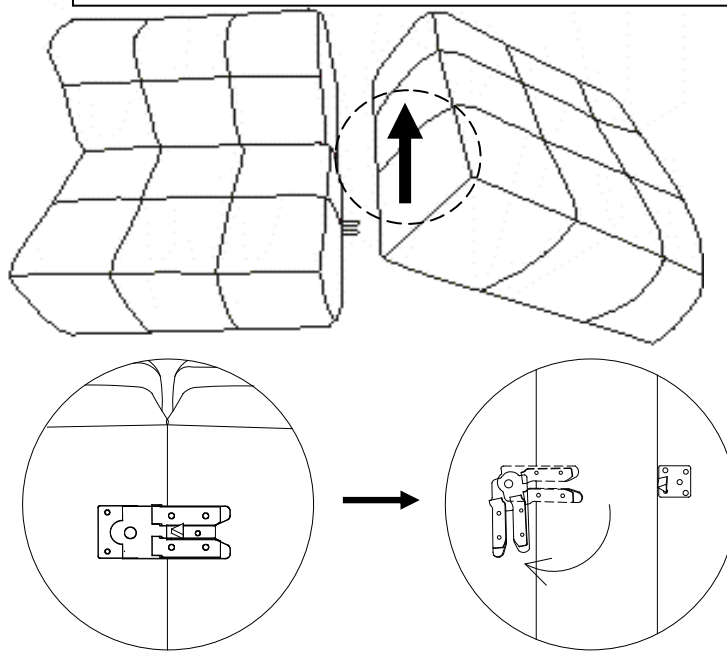
Sectional Assembly:

1. Rotate the female bracket and make it aligned to the male bracket as shown.
2. Connecting the units together using the male + female connectors.



3. To separate the group, just lift the end with **MALE BRACKET**, and then rotate the female bracket back.

NOTE: DO NOT lift the end with **FEMAL BRACKET**.



Care Instructions:

- Dust often using a clean, soft, dry and lint-free cloth.
- Blot spills immediately and wipe with a clean, damp, cloth.
- We do not recommend the use of chemical cleansers, abrasives or furniture polish on our lacquered finish.
- Hardware may loosen over time. Periodically check to make sure all connections are tight. Re-tighten if necessary.

Note: If you want to put it on the wooden base,
please remove the wooden legs and the alligator connectors,
then add the plastic legs on, before you put it on the wooden base.

Thank you for your purchase
Stores | catalog
www.pbteen.com